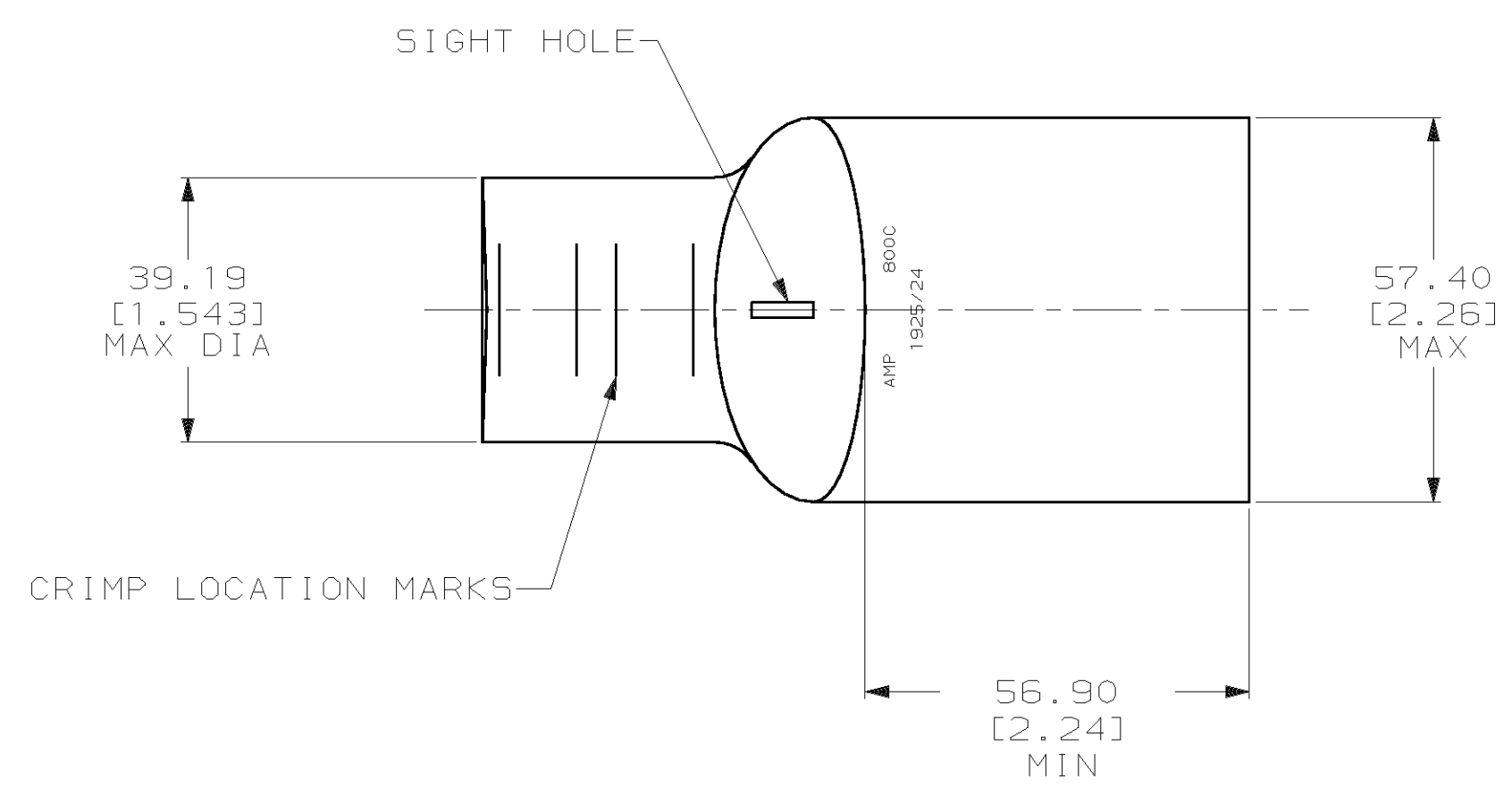
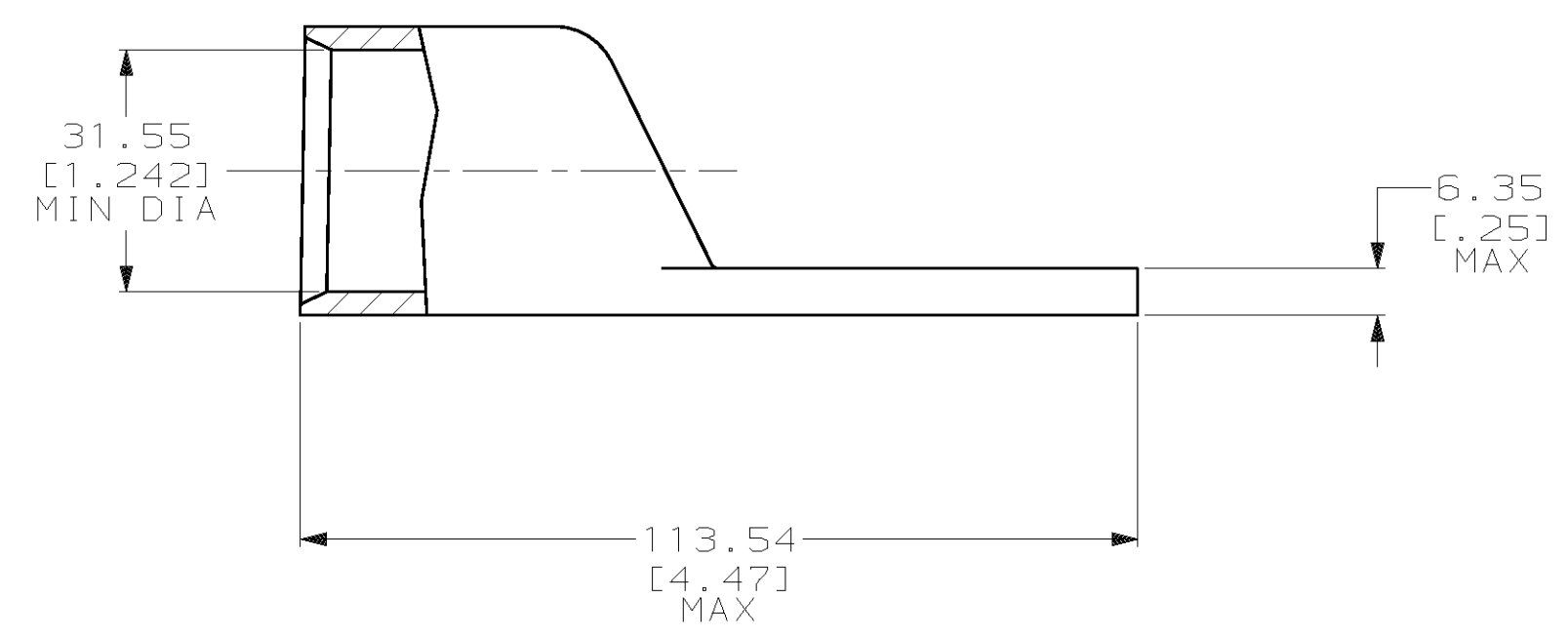


THIS DRAWING IS UNPUBLISHED. RELEASED FOR PUBLICATION, 19 .
 © COPYRIGHT 19 BY AMP INCORPORATED. ALL INTERNATIONAL RIGHTS RESERVED.

LOC		DIST		REVISIONS				DATE	APPD
ZONE	LTR	DESCRIPTION	DATE	APPD					
G	86	P	F	M	REV PER 063A-0561-01	090CT02	JR/MS		



1 CIRCULAR MIL RANGE: 750-850 MCM



2-326413-1
PART NO

DO NOT SCALE PRINT. UNLESS SPECIFIED DIMENSIONS IN mm [INCHES] TOLERANCES ON : 2 PLC DEC ± 0.51 [.020] 3 PLC DEC ± - ANGLES ± -		DR 04/05/90 DK SCHRUM		AMP INCORPORATED Harrisburg, Pa. 17105	
MATERIAL ANNEALED COPPER ASTM B-75		CHK 25JAN95 MS FEHER			
FINISH CLEANED		APPD 25JAN95 WJ VOCKROTH		NAME TERMINAL, AMPPOWER™ WIRE SIZE: 800 MCM	
WEIGHT .734 LB		APPD 25JAN95 TL SHUTTER		DRAWING NO 326413	
APPLICATION SPEC -		PRODUCT SPEC -		CAGE CODE 00779	
		SCALE 1:1		SHEET 1 OF 1	

