



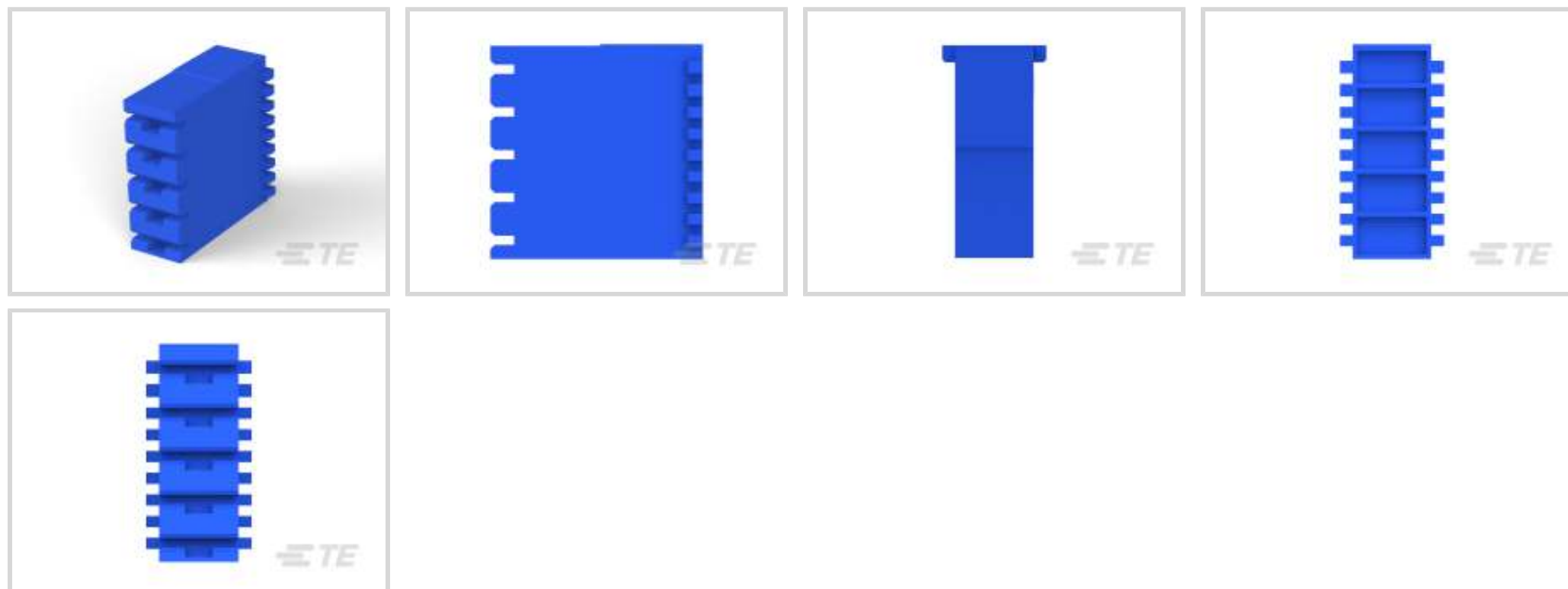
AMP

TE Internal #: 521207-1

Housing, Receptacle, Wire-to-Wire, 5 Position, .197 in [5 mm]
Centerline, Crimp, 1 Row, Blue, Mating Retention, Wire & Cable,
Power & Signal

[View on TE.com >](#)

Connectors > PCB Connectors > Wire-to-Board Connectors > Wire-to-Board Connector Assemblies & Housings



Connector Product Type: **Housing**

Connector & Housing Type: **Receptacle**

Connector System: **Wire-to-Wire**

Number of Positions: **5**

Centerline (Pitch): **5 mm [.197 in]**

Features

Product Type Features

Connector Product Type	Housing
Connector & Housing Type	Receptacle
Connector System	Wire-to-Wire
Sealable	No
Connector & Contact Terminates To	Wire & Cable

Configuration Features

Number of Positions	5
Number of Rows	1

Body Features

Primary Product Color	Blue
-----------------------	------

Contact Features

Contact Layout	Inline
Contact Type	Socket
Contact Base Material	Brass

Termination Features

Termination Method to Wire & Cable	Crimp
------------------------------------	-------

Mechanical Attachment

Strain Relief	Without
Panel Mount Feature	Without
PCB Mount Retention	Without
Mating Retention Type	Latch
Mating Retention	With
Connector Mounting Type	Cable Mount (Free-Hanging)

Housing Features

Housing Entry Configuration	Both Ends Closed
Housing Material	Nylon 6/66
Centerline (Pitch)	5 mm [.197 in]

Dimensions

Connector Length	9.2 mm [.362 in]
Connector Height	12.2 mm [.48 in]
Row-to-Row Spacing	5 mm [.197 in]

Usage Conditions

Operating Temperature Range	-40 – 110 °C [-40 – 230 °F]
-----------------------------	-----------------------------

Operation/Application

Circuit Application	Power & Signal
---------------------	----------------

Industry Standards

Glow Wire Rating	Standard Part - Not Glow Wire
UL Flammability Rating	UL 94V-0

Packaging Features

Packaging Quantity	1
Packaging Method	Package

Product Compliance

[For compliance documentation, visit the product page on TE.com>](#)

EU RoHS Directive 2011/65/EU	Compliant
------------------------------	-----------

EU ELV Directive 2000/53/EC

Compliant

China RoHS 2 Directive MIIT Order No 32, 2016

No Restricted Materials Above Threshold

EU REACH Regulation (EC) No. 1907/2006

Current ECHA Candidate List: JUNE 2023 (235)

Candidate List Declared Against: JAN 2023 (233)

Does not contain REACH SVHC

Halogen Content

Low Halogen - Br, Cl, F, I < 900 ppm per homogenous material. Also BFR/CFR/PVC Free

Solder Process Capability

Not applicable for solder process capability

Product Compliance Disclaimer

This information is provided based on reasonable inquiry of our suppliers and represents our current actual knowledge based on the information they provided. This information is subject to change. The part numbers that TE has identified as EU RoHS compliant have a maximum concentration of 0.1% by weight in homogenous materials for lead, hexavalent chromium, mercury, PBB, PBDE, DBP, BBP, DEHP, DIBP, and 0.01% for cadmium, or qualify for an exemption to these limits as defined in the Annexes of Directive 2011/65/EU (RoHS2). Finished electrical and electronic equipment products will be CE marked as required by Directive 2011/65/EU. Components may not be CE marked. Additionally, the part numbers that TE has identified as EU ELV compliant have a maximum concentration of 0.1% by weight in homogenous materials for lead, hexavalent chromium, and mercury, and 0.01% for cadmium, or qualify for an exemption to these limits as defined in the Annexes of Directive 2000/53/EC (ELV). Regarding the REACH Regulation, the information TE provides on SVHC in articles for this part number is based on the latest European Chemicals Agency (ECHA) 'Guidance on requirements for substances in articles' posted at this URL: <https://echa.europa.eu/guidance-documents/guidance-on-reach>

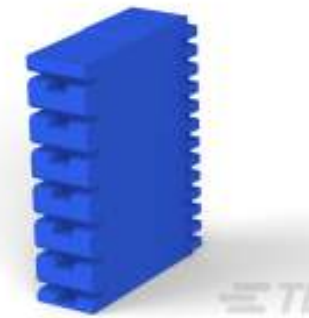
Compatible Parts



TE Part # 521206-1
POSI-LOK HSG.250-4 POS RAST5



TE Part # 521210-1
POSI-LOK HSG.250-8 POS RAST5



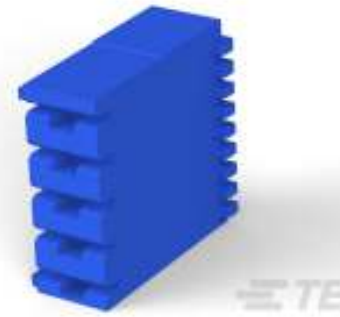
TE Part # 521209-1
POSI-LOK HSG.250-7 POS RAST5



TE Part # 521210-5
HSG,RAST 5,POSI LOCK MKIII,8P



TE Part # 521207-4
HSG,RAST 5,POSI LOCK MKIII,5P



TE Part # 521207-3
HSG POSI-LOCK MARK III



TE Part # 521206-3
HSG,4P,POS LOCK,MKIII,250 SERI



TE Part # 521206-6
POSI-LOK HSG.250-4 POS RAST5




TE Part # 521209-2
HSG POSI-LOCK MARK III



TE Part # 521210-3
HSG,POS-LOC,MKIII,250SERIES,6P



TE Part # 521267-1
POSI-LOK HSG.250-5 POS RAST5



TE Part # 521206-2
250 SERIES 4 POS POSILOK HSG



TE Part # 521206-4
HSG,POSI-LOCK MKIII RAST,4P



TE Part # 521206-5
HSG,RECP,POSI-LOCK MKIII,4P



TE Part # 521207-2
POSI-LOK HSG 250 5P RAST5



TE Part # 521207-5
HSG POSI-LOK 250 (05-B) RAST

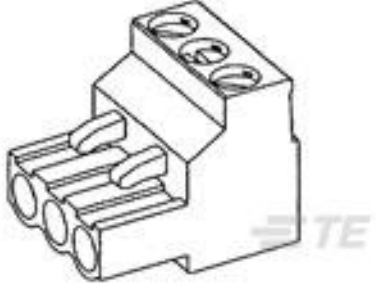


TE Part # 521208-2
HOUSING POSITIVE LOCK RAST




TE Part # 521210-4
HSG,POSILOCK, MKIII, 8 POS,250

Customers Also Bought



TE Part #796640-4
4 POS 5.0 MM R/A PLUG,TRM BLK



TE Part #1586105-3
3P RCPT VAL-U-LOK SR V2



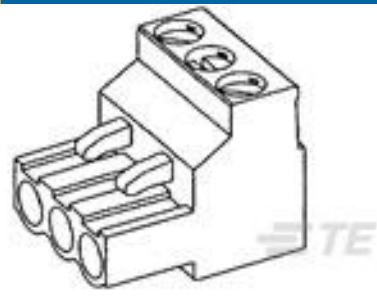
TE Part #170360-3
MINI UNIVERSAL M-N-L PIN



TE Part #42742-1
250 FASTON FLAG REC 18-12 AWG BR



TE Part #1217094-1
RCPT 250 POS-LOCK 18-14 0126BR



TE Part #796635-2
2 POS 5.08MM R/A PLUG,TRM BLK



TE Part #2217206-5
Blade, Slug



TE Part #794245-1
08P MINI UMNL2 PLUG HSG UL94V2



Documents

Product Drawings

POSI-LOK HSG.250-5 POS RAST5

English

CAD Files

3D PDF

3D

Customer View Model

[ENG_CVM_CVM_521207-1_P.2d_dxf.zip](#)

English

Customer View Model

[ENG_CVM_CVM_521207-1_P.3d_igs.zip](#)

English

Customer View Model

[ENG_CVM_CVM_521207-1_P.3d_stp.zip](#)

English

By downloading the CAD file I accept and agree to the [Terms and Conditions](#) of use.

Datasheets & Catalog Pages

1654742_HOUSEHOLD_APPLIANCES_RAST5

English

Product Environmental Compliance

TE Material Declaration

English

Agency Approvals

UL Report

English