



Launch pin & dielectric for 0.23mm (.009inch)
field replaceable connector

Launch Pins Technical Data Sheet

PE1017-2

Configuration

- 50 Ohms

Applications

- General Purpose Test
- Rack and Panel Mount Applications
- Used in Field Replaceable Connectors
- Allows for Replacement of Damaged Connectors

Description

Pasternack's PE1017-2 Launch pin & dielectric for 0.23mm (.009inch) field replaceable connector is part of our complete line of Connector Launch Accessories available for same-day shipping. This range of accessories includes Glass bead Transitions, Launch Pin & Dielectric Transitions and Pin/Tab Transitions to Microstrip and Stripline Circuits in conjunction with our line of field replaceable flange connectors. These accessories are designed to be compatible with our line of Field Replaceable Connectors to ensure optimal electrical performance for PCB test applications. They are available in commonly used pin diameters of .009", .012", .015", .018", .020" and .036" and in a variety of lengths and sizes depending on the application.

Our PE1017-2 Launch pin & dielectric for 0.23mm (.009inch) field replaceable connector datasheet specifications are shown below in this PDF. Pasternack's broad catalog of RF, microwave and millimeter wave connectors allows designers to configure and customize their signal connections however they like. Whether the need is to provide an I/O for a board design, or simply create a custom cable assembly configuration, Pasternack has the right connector for the job. Pasternack can also expertly build your custom cable assemblies for you and ship same day.

Mechanical Specifications

Dimensions

Pin Length	0.16 in [4.06 mm]
Pin Diameter	0.009 in [0.23 mm]
Tab Length	0.015 in [0.38 mm]
Tab Diameter	0.005 in [0.13 mm]
Dielectric Length	0.125 in [3.18 mm]
Dielectric Diameter	0.029 in [0.74 mm]

Compliance Certifications (see [product page](#) for current document)

Plotted and Other Data

Notes:

Click the following link (or enter part number in "SEARCH" on website) to obtain additional part information including price, inventory and certifications: [Launch pin & dielectric for 0.23mm \(.009inch\) field replaceable connector PE1017-2](#)

Launch pin & dielectric for 0.23mm (.009inch)
field replaceable connector



Launch Pins Technical Data Sheet

PE1017-2

Launch pin & dielectric for 0.23mm (.009inch) field replaceable connector from Pasternack Enterprises has same day shipment for domestic and International orders. Our RF, microwave and millimeter wave products maintain a 99.4% availability and are part of the broadest selection in the industry.

Click the following link (or enter part number in "SEARCH" on website) to obtain additional part information including price, inventory and certifications: [Launch pin & dielectric for 0.23mm \(.009inch\) field replaceable connector PE1017-2](#)

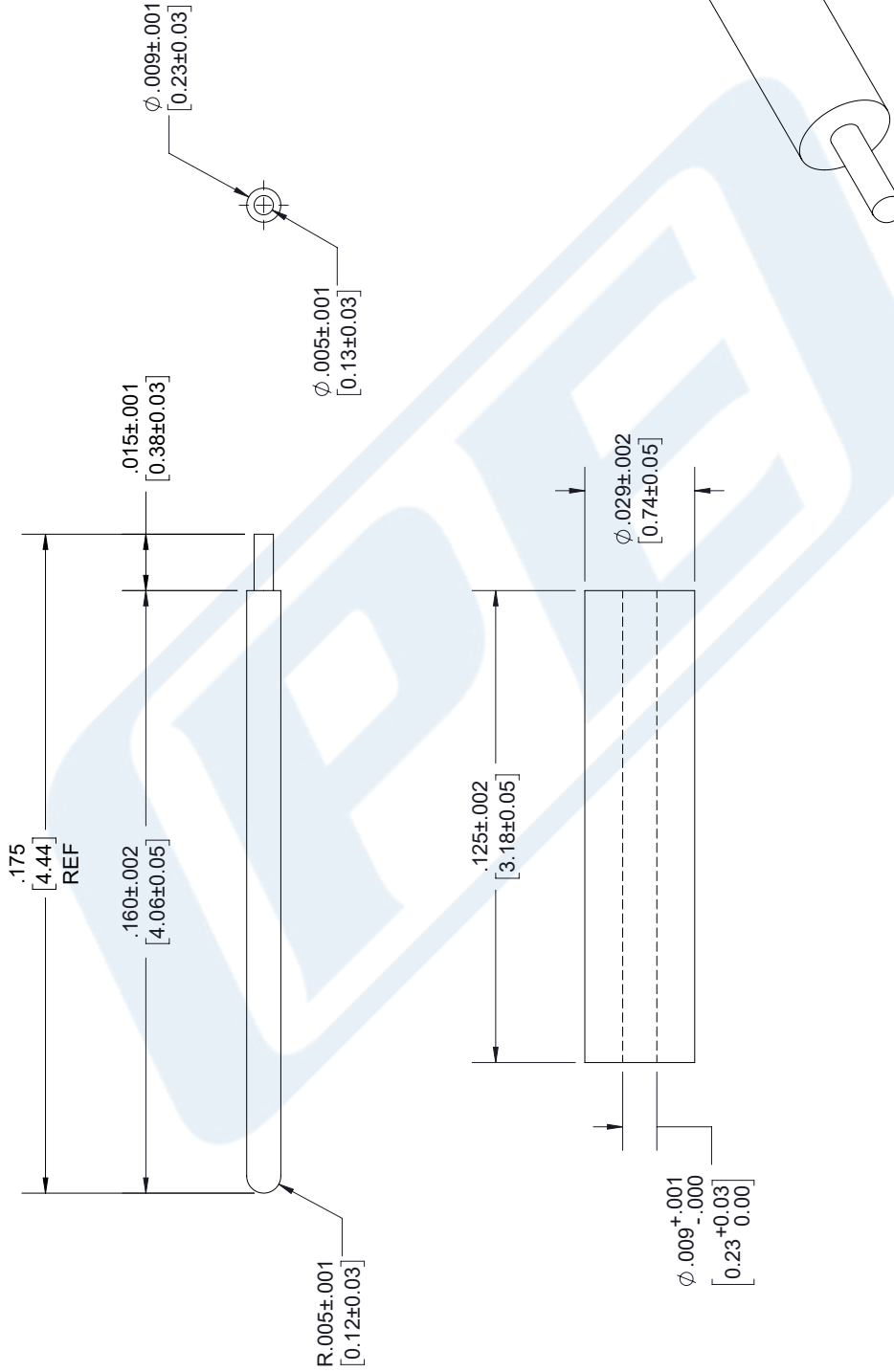
URL: <https://www.pasternack.com/hermetic-seal-solder-contact-0.005-pin-diameter-0.009-body-0.015-pin-pe1017-2-p.aspx>

The information contained in this document is accurate to the best of our knowledge and representative of the part described herein. It may be necessary to make modifications to the part and/or the documentation of the part, in order to implement improvements. Pasternack reserves the right to make such changes as required. Unless otherwise stated, all specifications are nominal. Pasternack does not make any representation or warranty regarding the suitability of the part described herein for any particular purpose, and Pasternack does not assume any liability arising out of the use of any part or documentation.

PE1017-2 CAD Drawing

Launch pin & dielectric for 0.23mm (.009inch) field replaceable connector

REVISIONS			
REV.	DESCRIPTION	DATE	APPROVED
A	INITIAL RELEASE	2/5/2021	S. ELLIS



NOTES:

1. FINISH (PLATING THICKNESS IN MICRO-INCHES)
 - BERYLLIUM COPPER.
 - GOLD PL. 4 MIN. OVER NICKEL-PHOSPHORUS ALLOY PL. 80 MIN. OVER COPPER PL. 20MIN.

UNLESS OTHERWISE SPECIFIED LEADING DIMENSIONS ARE INCHES DIMENSIONS IN [] ARE MILLIMETERS

TOLERANCES:

.X = ±.2	[5.08]	FRACTIONS
.XX = ±.02	[.51]	± 1/32
.XXX = ±.005	[.13]	ANGLES ± 1°

CABLE LENGTH (L) TOLERANCES:

L ≤ 12	[305]	= +1 [25] / -0
12	[305]	< L ≤ 60 [1524] = +2 [51] / -0
60	[1524]	< L ≤ 120 [3048] = +4 [102] / -0
120	[3048]	< L ≤ 300 [7620] = +6 [152] / -0
300	[7620]	< L = +5% / L / -0

ALL DIMENSIONS SHOWN ARE FOR REFERENCE ONLY.

PE PASTERNAK
an INFINITO brand

Pasternack Enterprises, Inc.
P. O. Box 16759, Irvine, CA 92623.
Phone: 1.949.261.1920 | 1.866.727.8376
Fax: 1.949.261.7451
Website: www.pasternack.com
E-mail: sales@pasternack.com

THIRD-ANGLE PROJECTION

THE INFORMATION AND DESIGN IN THIS DOCUMENT IS THE PROPERTY OF PASTERNAK CORPORATION ALL RIGHTS RESERVED.

SHEET 1 OF 1
SCALE N/A

REV	REV
A	A

ITEM NO. PE1017-2