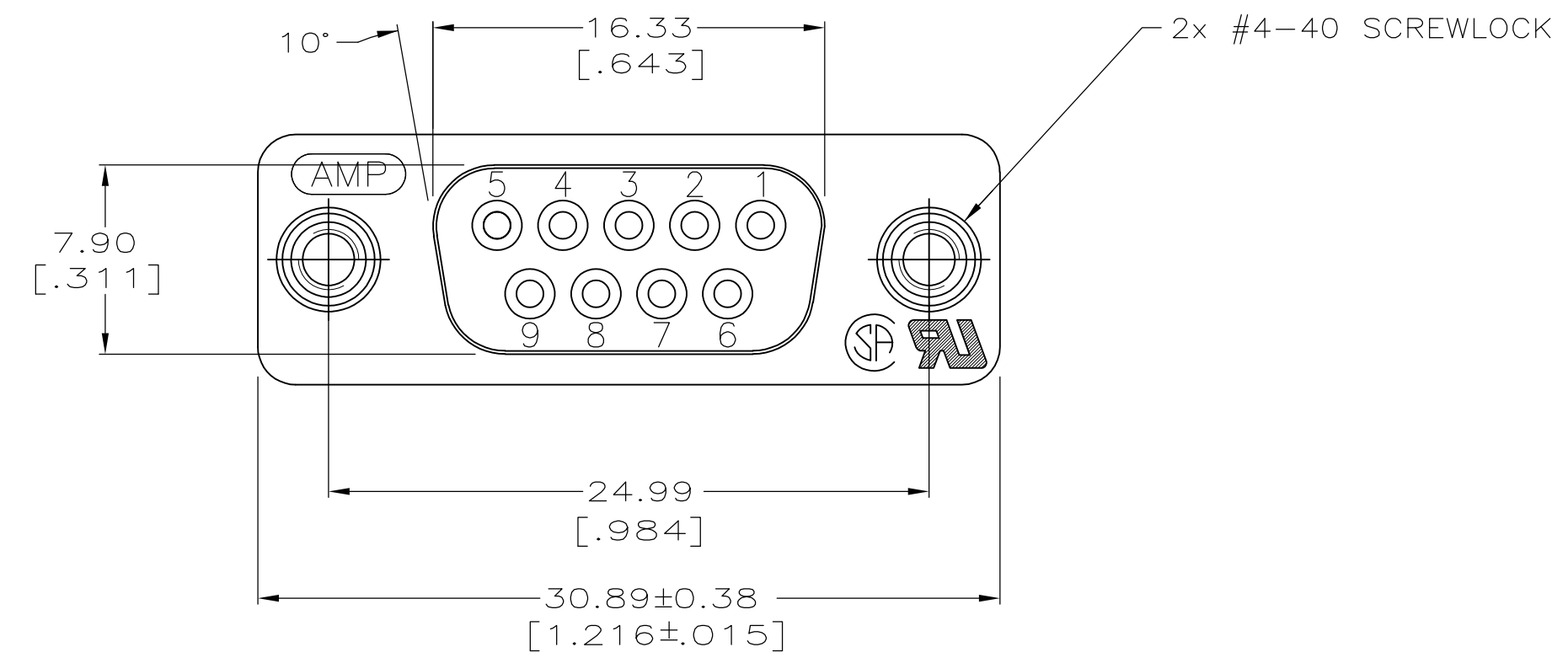
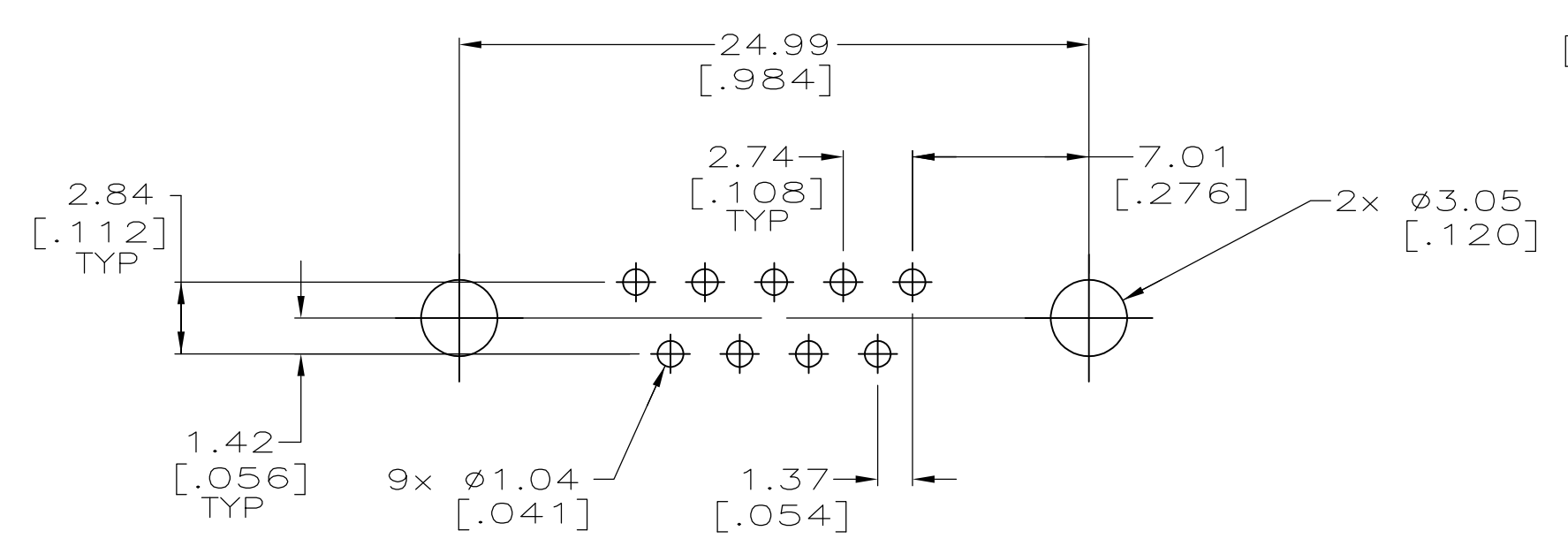
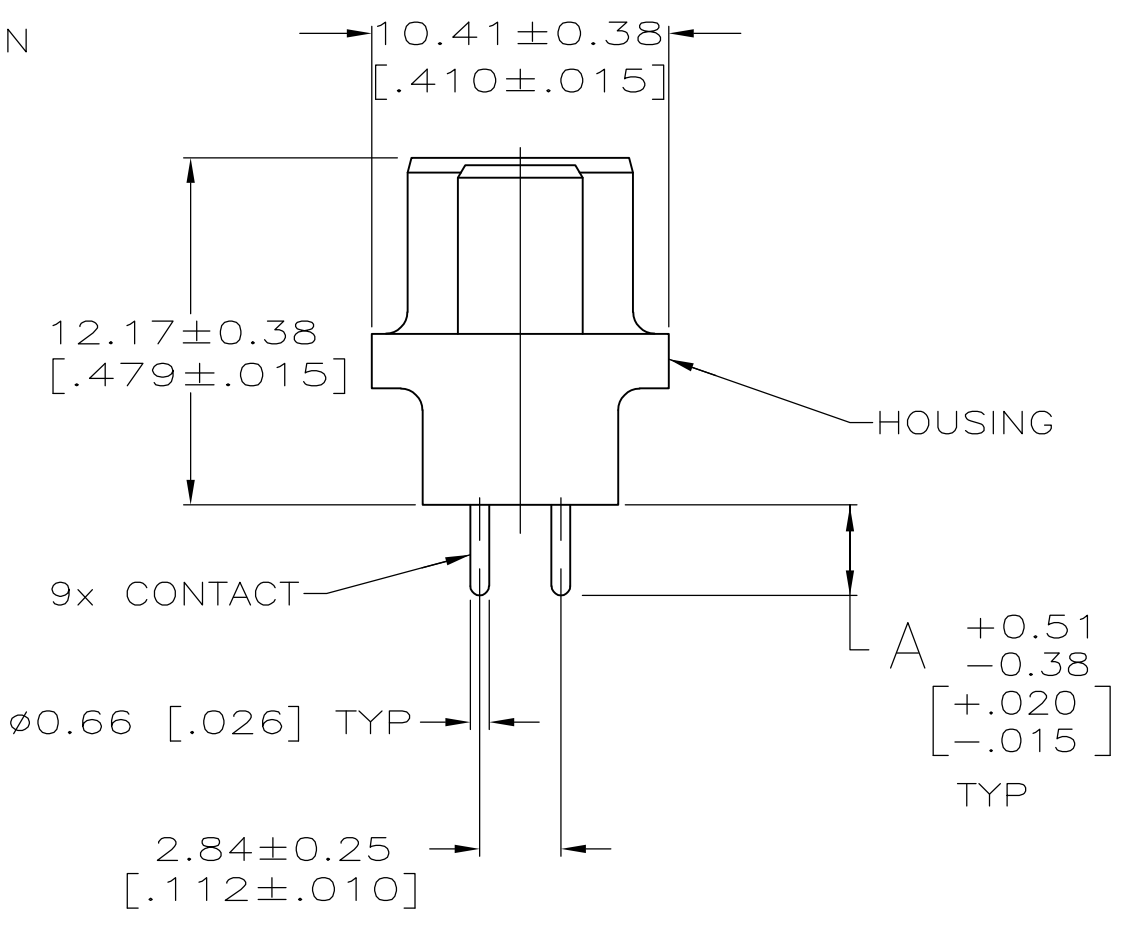
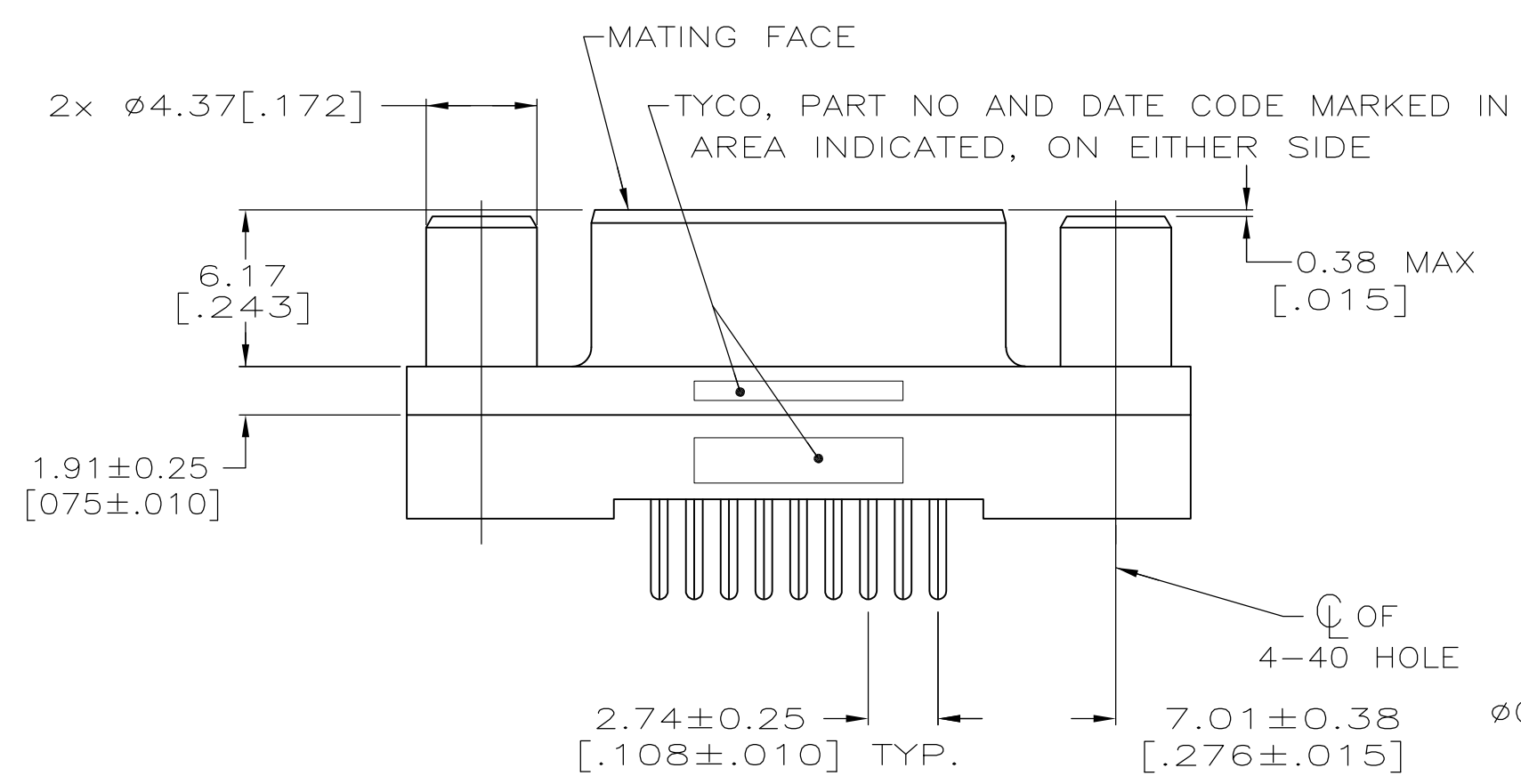


LOC	DIST	REVISIONS					
GP	00	P	LTR	DESCRIPTION	DATE	OWN	APVD
		P		REVISED PER ECO-11-004835	11MAR11	RK	HMR



- 1 HOUSING: BLACK POLYESTER, UL 94V-0 RATED.
CONTACTS: PHOSPHOR BRONZE.
SCREWLOCKS: BRASS.
- 2 CONTACTS: SEE TABLE.
SCREWLOCKS: 1.27µm [.000050] MIN NICKEL OVER COPPER FLASH.
- 3 GOLD FLASH FOR A LENGTH OF 2.54 [.100] MIN FROM MATING END, 2.54µm [.000100] MIN TIN ON OPPOSITE END, ALL OVER 1.27µm [.000050] MIN NICKEL.
- 4 0.76µm [.000030] MIN GOLD FOR A LENGTH OF 2.54 [.100] MIN FROM MATING END, 2.54µm [.000100] MIN TIN ON OPPOSITE END, ALL OVER 1.27µm [.000050] MIN NICKEL.



RECOMMENDED PC BOARD MOUNTING DIMENSIONS

**COPYRIGHT 2005
TE CONNECTIVITY CORP
ALL RIGHTS RESERVED**

4.32 [.170]	4	5745076-6
3.18 [.125]	4	5745076-4
3.18 [.125]	3	5745076-3
A	CONTACT FINISH	PART NO

THIS DRAWING IS A CONTROLLED DOCUMENT.		DWN 13SEP05 G.PETERS	STE TE Connectivity	
DIMENSIONS: mm[INCHES]		CHK 13SEP05 S.BOLASH		
TOLERANCES UNLESS OTHERWISE SPECIFIED:		APVD 13SEP05 M.WALMSLEY	NAME RECEPTACLE ASSEMBLY, SIZE 1, 9 POSN, VERTICAL, AMPLIMITE HD-20	
0 PLC ± -		PRODUCT SPEC 108-40025	SIZE CAGE CODE DRAWING NO RESTRICTED TO	
1 PLC ± -		APPLICATION SPEC	A2 00779 G-5745076	
2 PLC ± 0.13 [.005]		WEIGHT -	SCALE 4:1 SHEET 1 OF 1 REV P	
3 PLC ± -		CUSTOMER DRAWING		
4 PLC ± - ± 2'				
ANGLES FINISH				