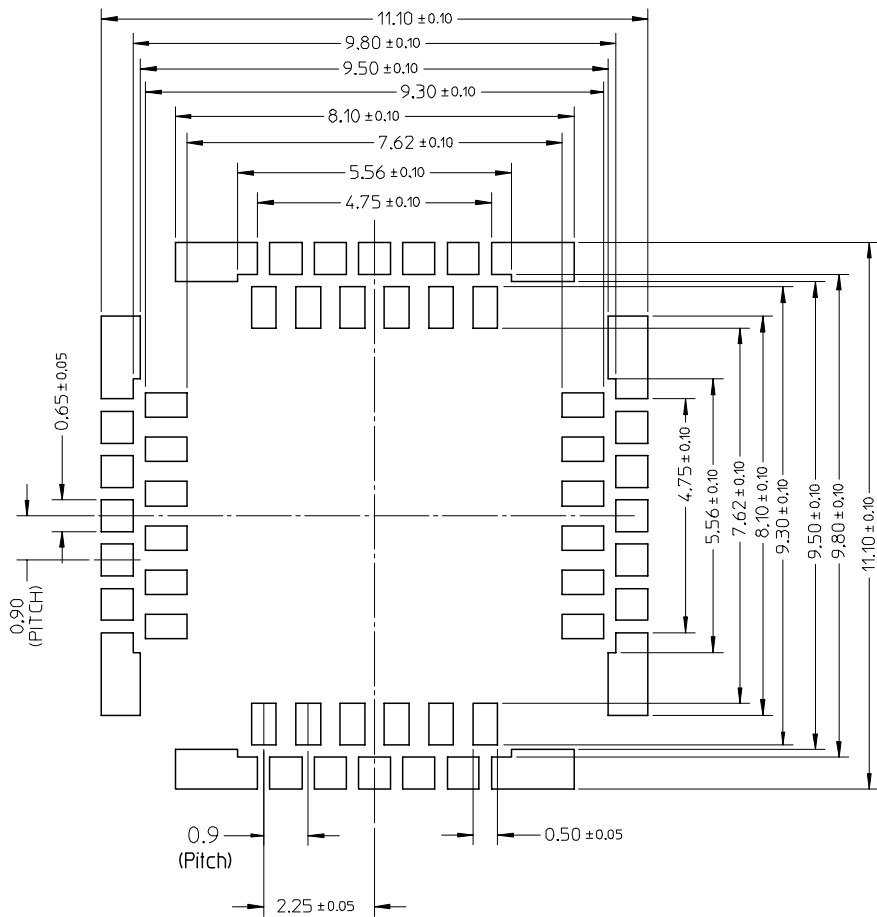


SECTION X-X

- NOTES:
- MATERIALS
HOUSING: POLYAMIDE, BLACK, UL94 V-0
TERMINAL: COPPER ALLOY.
SHELL: COPPER ALLOY.
TOP SHIELD: STAINLESS STEEL
 - FINISH
TERMINAL: 2-4 MICROMETER NICKEL UNDERPLATING OVERALL,
GOLD PLATING 0.3 MICROMETER ON CONTACT AREA,
GOLD FLASH PLATING ON SOLDER AREA.
SHELL: 2-4 MICROMETER NICKEL UNDERPLATING OVERALL,
GOLD FLASH PLATING ON SOLDER AREA.
 - PRODUCT SPECIFICATION: PS-47337-001
 - PAKAGING: TAPE&REEL
 - COPLANALITY TO BE 0.10MM MAX.
 - APPLICABLE TOP COVER 473370005.
 - APPLICABLE CAMERA MODULE SEE SHEET 3.
 - THE DRAWING EDITION 9 WILL MEET TOM LU'S DRAWING EDITON S6

SECTION Z-Z

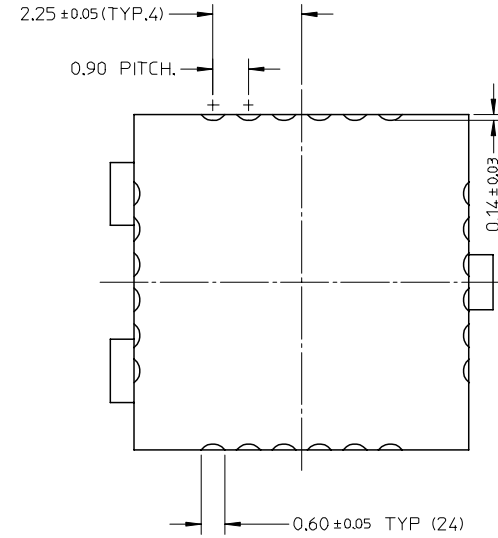
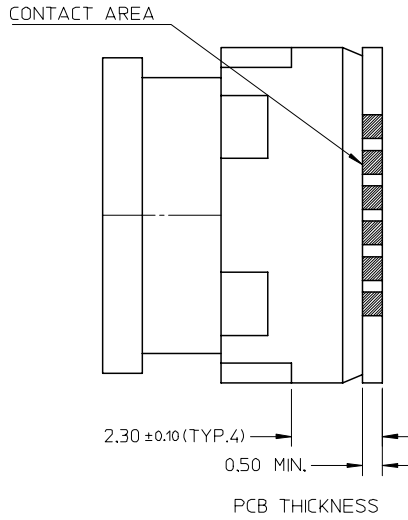
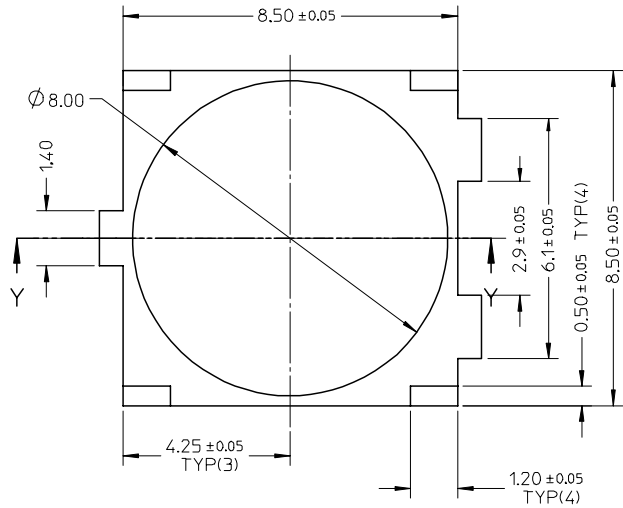
RELEASE EC NO: 2006/06/16 DRWN: IHE 2006/06/23 CHKD: XIXU 2006/06/26 APPR: JNCHEN 2006/06/26	QUALITY SYMBOLS	GENERAL TOLERANCES (UNLESS SPECIFIED)	DIMENSION STYLE	SCALE	DESIGN UNITS	THIRD ANGLE PROJECTION																		
	▽=12 ∇=0	<table border="1"> <thead> <tr> <th></th> <th>mm</th> <th>INCH</th> </tr> </thead> <tbody> <tr> <td>4 PLACES</td> <td>± ---</td> <td>± ---</td> </tr> <tr> <td>3 PLACES</td> <td>± ---</td> <td>± ---</td> </tr> <tr> <td>2 PLACES</td> <td>± 0.10</td> <td>± ---</td> </tr> <tr> <td>1 PLACE</td> <td>± 0.15</td> <td>± ---</td> </tr> <tr> <td colspan="3">ANGULAR ± 1 °</td> </tr> </tbody> </table>		mm	INCH	4 PLACES	± ---	± ---	3 PLACES	± ---	± ---	2 PLACES	± 0.10	± ---	1 PLACE	± 0.15	± ---	ANGULAR ± 1 °			MM ONLY	8:1	METRIC	
		mm	INCH																					
	4 PLACES	± ---	± ---																					
3 PLACES	± ---	± ---																						
2 PLACES	± 0.10	± ---																						
1 PLACE	± 0.15	± ---																						
ANGULAR ± 1 °																								
DESCRIPTION	DRAWN BY	DATE	TITLE																					
REV	IVAN HE	2006/06/16	8.5*8.5 CAMERA SOCKET SMT.SIDE CONTACT TYPE TOP MOUNT																					
	XIXU	2006/06/16	MOLEX INCORPORATED																					
	JENNY CHEN	2006/06/16	MATERIAL NO.		DOCUMENT NO.	SHEET NO.																		
			473370001		SD-47337-001	1 OF 3																		
	DRAFT WHERE APPLICABLE MUST REMAIN WITHIN DIMENSIONS																							
	THIS DRAWING CONTAINS INFORMATION THAT IS PROPRIETARY TO MOLEX INCORPORATED AND SHOULD NOT BE USED WITHOUT WRITTEN PERMISSION																							



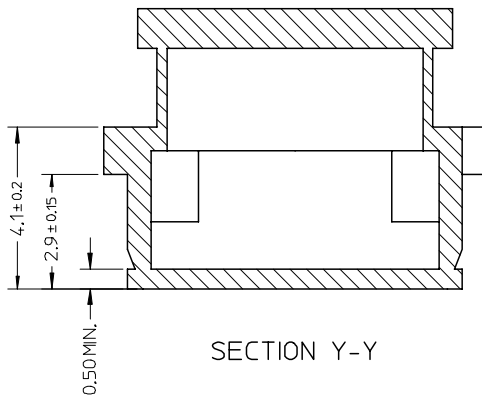
RECOMMENDED PCB LAYOUT

RELEASE EC NO: 2006/06/16 DRWN: IHE 2006/06/23 CHKD: XIXU 2006/06/23 APPR: JNCHEN 2006/06/26 A	DESCRIPTION REV	QUALITY SYMBOLS ▽=0 ◁=0	GENERAL TOLERANCES (UNLESS SPECIFIED)		DIMENSION STYLE MM ONLY		SCALE 10:1	DESIGN UNITS METRIC	THIRD ANGLE PROJECTION		
			4 PLACES ± --- ± --- 3 PLACES ± --- ± --- 2 PLACES ± 0.10 ± --- 1 PLACE ± 0.15 ± ---	mm INCH ± --- ± --- ± 0.10 ± --- ± 0.15 ± ---	DRAWN BY IVAN HE	DATE 2006/06/16	TITLE 8.5*8.5 CAMERA SOCKET SMT.SIDE CONTACT TYPE TOP MOUNT				
			ANGULAR ± 1		CHECKED BY XIXU	DATE 2006/06/16	MOLEX INCORPORATED				
		DRAFT WHERE APPLICABLE MUST REMAIN WITHIN DIMENSIONS		MATERIAL NO. 47337-0001	DOCUMENT NO. SD-47337-001	SHEET NO. 2 OF 3		THIS DRAWING CONTAINS INFORMATION THAT IS PROPRIETARY TO MOLEX INCORPORATED AND SHOULD NOT BE USED WITHOUT WRITTEN PERMISSION			

APPLIED CAMERA MODULE



FOR PCB (PTH)



SECTION Y-Y

RELEASE EC NO: DRWN: IHE CHKD: XIXU APPR: JNCHEN	DESCRIPTION 2006/06/16 2006/06/23 2006/06/26	QUALITY SYMBOLS	GENERAL TOLERANCES (UNLESS SPECIFIED)	DIMENSION STYLE	SCALE	DESIGN UNITS	THIRD ANGLE PROJECTION
		$\nabla=0$ $\sphericalangle=0$	mm INCH	MM ONLY	8:1	METRIC	
			4 PLACES ± --- ± --- 3 PLACES ± --- ± --- 2 PLACES ± 0.10 ± --- 1 PLACE ± 0.15 ± --- ANGULAR ± 1 °	DRAWN BY DATE IVAN HE 2006/06/16 CHECKED BY DATE XIXU 2006/06/16 APPROVED BY DATE JENNY CHEN 2006/06/16	TITLE 8.5*8.5 CAMERA SOCKET SMT.SIDE CONTACT TYPE TOP MOUNT		
		DRAFT WHERE APPLICABLE MUST REMAIN WITHIN DIMENSIONS	MATERIAL NO. 47337-0001	DOCUMENT NO. SD-47337-001	SHEET NO. 3 OF 3		