



CMCP782A Economy Top Entry Accelerometer



Features:

- Low Cost
- 100mV/g $\pm 10\%$
- 130°C Max Temperature Range
- $\pm 60g$ Dynamic Range
- 2 Pin MS 5015 Connector
- 1/4"-28 UNF and M8x1.25 Mounting Studs Included
- Sealed to IP68

Typical Applications

Fans, Motors, Pumps, Compressors, Centrifuges, Conveyors, Air Handlers, Gearboxes, Rolls, Dryers, Presses, Cooling, HVAC, Spindles, Machine Tooling, Process Equipment and many more.

Technical Performance

Mounted Base Resonance:	22 kHz (nominal)
Sensitivity:	100mV/g $\pm 10\%$ Nominal 80Hz at 22°C
Frequency Response:	1.5 Hz to 10 kHz $\pm 10\%$ (90cpm to 600kcpm)
Isolation:	Basse Isolated
Measurement Range:	± 60 g Peak
Transverse Sensitivity:	Less than 5%

Electrical

Electrical Noise:	0.1mg max
Current Range:	0.5mA to 8mA
Bias Voltage:	10-12 Vdc
Settling Time:	2 Seconds
Output Impedance:	200 Ohms max.
Case Isolation:	$>10^8$ Ohms at 500 Volts

Environmental

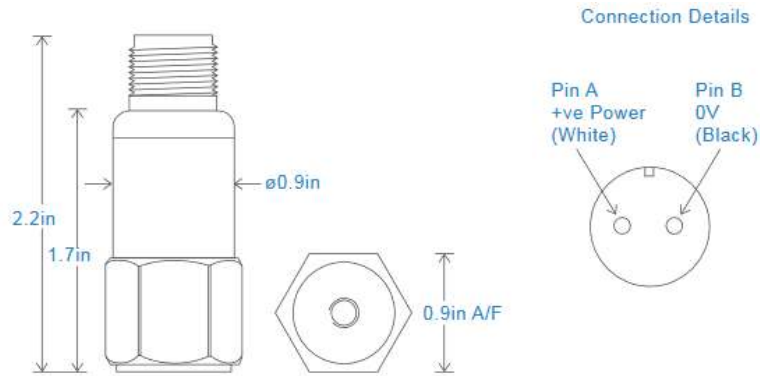
Operating Temperature Range:	-67 to 266°F (-55 to 130°C)
Sealing:	IP68
Maximum Shock:	5000 g
Approvals:	CE Approved

Mechanical

Case Material:	Stainless Steel
Sensing Element:	PZT/Compression
Mounting Torque:	5.9ft. lbs (8Nm)
Weight:	4.9 Oz (139 grams)
Mating Connector:	2 Pin MIL 5015 MS Connector
Mounting:	1/4"-28 UNF and M8x1.25 Studs Provided

Condition Monitoring Custom Products

Dimensions



Ordering Information:

CMCP782A Economical Top Entry Accelerometer, 100mV/g, 2 Pin MS 5015 Connector

Recommended Cable Assemblies:

General Purpose TPE Jacketed Cable (Rated to 120°C)

CMCP602L Series	2 Socket MS Connector, Locking Collar, IP67
CMCP602LST Series	2 Socket MS Connector, Push On Seal Tight, IP68

High Temperature FEP Jacketed Cable (Rated to 200°C)

CMCP602H Series	2 Socket MS Connector, Locking Collar, IP67
CMCP602HST Series	2 Socket MS Connector, Push On Seal Tight, IP68