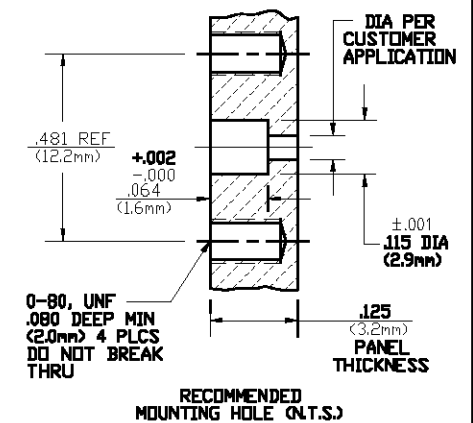
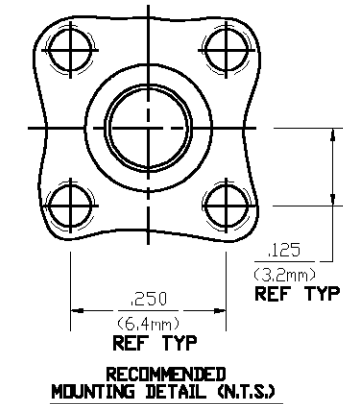


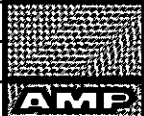
REVISIONS			
REV	DESCRIPTION	DATE	APPROVED
01 0	RELEASED	7-26-90	<i>D. Comello</i>
B	REVISED PER ECN 0U20-0262-01	G.V. 12/12/02	JGH



**CONNECTOR ONLY**

ELECTRICAL	MECHANICAL	ENVIRONMENTAL
Nominal Impedance (Ohms) <u>50</u>	Interface Dimensions	TEMPERATURE RATING <u>-65° TO +125°C</u>
Frequency Range (GHz) DC to <u>18</u>	<u>OMNI SPECTRA CATALOG</u>	Vibration MIL-STD-202, Method 204, Condition II
Volt Rating (VRMS MAX) @ Sea Level <u>375</u>	Center Contact Captivation	Shock MIL-STD-202, Method 213, Condition I
VSWR <u>1.04+0.006f(GHz)</u>	Axial (Lbs) <u>6</u>	Thermal Shock MIL-STD-202, Method 107, Condition B
Insertion Loss (dB MAX) <u>.03x√f(GHz)</u>	Weight (Grams) <u>1.9</u>	Moisture Resistance MIL-STD-202, Method 106
RF Leakage (dB MIN) (Interface Only, Fully Mated) <u>-(90-f(GHz))</u>		Corrosion - MIL-STD-202, Method 101, Condition B
Corona, 70,000 Ft (VRMS MIN) <u>335</u>		
Dielectric Withstanding Voltage (VRMS MIN) @ Sea Level <u>1000</u>		
Contact Resistance (Milliohms MAX)		
Center Contact <u>2.0</u>		
Outer Contact <u>2.0</u>		
RF High Potential @ Sea Level (VRMS MIN @ 5 MHz) <u>1000</u>		
I.R.(Megohms MIN) <u>5000</u>		

HOUSING	STAINLESS STEEL PER ASTM-A484 AND ASTM-A582, TYPE 303	PASSIVATE PER ASTM-A380
DIELECTRIC	TFE FLUOROCARBON PER MIL-P-19468, FED SPEC L-P-403 & ASTM-D-1457	N/A
CENTER CONTACT	BERYLLIUM COPPER PER ASTM-B196 ALLOY 173	GOLD PLATE PER MIL-G-45204 OVER COPPER PLATE PER MIL-C-14550
CONTACT EXT. BUSHING	IRON-NICKEL ALLOY PER MIL-I-23011, CLASS 1 (KQVAR )	GOLD PLATE PER MIL-G-45204 OVER NICKEL PLATE PER QQ-N-290
HERMETIC SEAL	GLASS BEAD	N/A
O-RING	FLUOROSILICONE PER MIL-R-25988, CLASS I, TYPE I.	N/A
GASKET	CONDUCTIVE SILVER/SILICONE ELASTOMERS	N/A

COMPONENT	MATERIAL	FINISH								
UNLESS OTHERWISE SPECIFIED DIMENSIONS ARE IN INCHES TOLERANCE ON	DRAWN BY <u>K.C.MAHER</u> DATE <u>7/25/90</u>	 <b>AMP Incorporated</b> 140 Fourth Avenue Waltham, MA 02451-7599								
FRAC. DEC. ANGLES	CHECKED BY <u>BB</u> DATE <u>7-26-90</u>									
± 1/64 ± .005 ± 1'	APPROVED BY <i>D. Comello</i> DATE <u>7-26-90</u>									
These drawings and specifications are the property of Omni Spectra Incorporated and shall not be reproduced or copied or used in whole or in part as the basis for the manufacture or sale of item(s) without written permission.	USE ASS'Y PROCEDURE	TITLE <b>OSP FLANGE MOUNT PLUG RECEPTACLE WITH EMI GASKET AND HERMETIC SUBASSY</b>								
	NO. A.P. <u>N/A</u>	<table border="1"> <tr> <td>SIZE <b>B</b></td> <td>CONE IDENT NO. <b>26805</b></td> <td><b>4551-3375-02</b></td> <td>REV <b>01 0</b></td> </tr> <tr> <td>SCALE</td> <td></td> <td></td> <td>SHEET 1 OF 1</td> </tr> </table>	SIZE <b>B</b>	CONE IDENT NO. <b>26805</b>	<b>4551-3375-02</b>	REV <b>01 0</b>	SCALE			SHEET 1 OF 1
SIZE <b>B</b>	CONE IDENT NO. <b>26805</b>	<b>4551-3375-02</b>	REV <b>01 0</b>							
SCALE			SHEET 1 OF 1							

CUSTOMER DRAWING

AMP PART # 1059573-1  
SHEET 1 OF 1 REV B