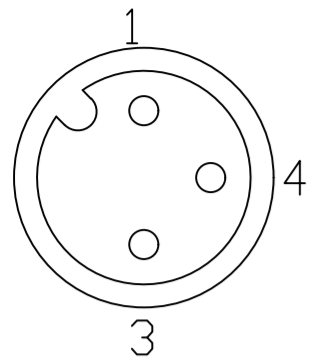


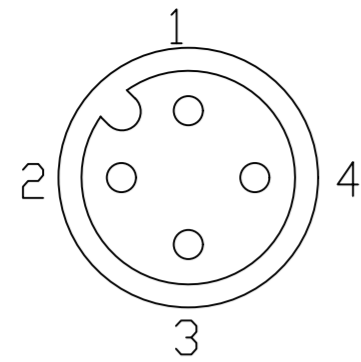
M12 3 POLE



FACE VIEW

Pin	Wire color
1	BROWN
2	-
3	BLUE
4	BLACK

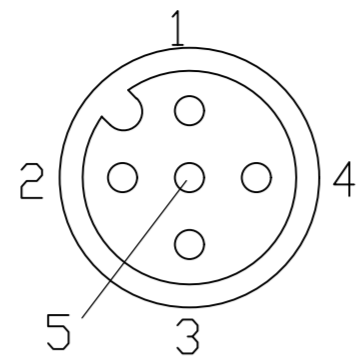
M12 4 POLE



FACE VIEW

Pin	Wire color
1	BROWN
2	WHITE
3	BLUE
4	BLACK

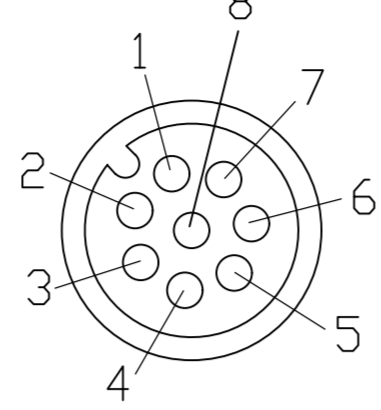
M12 5 POLE



FACE VIEW

Pin	Wire color
1	BROWN
2	WHITE
3	BLUE
4	BLACK
5	GRAY

M12 8 POLE



FACE VIEW

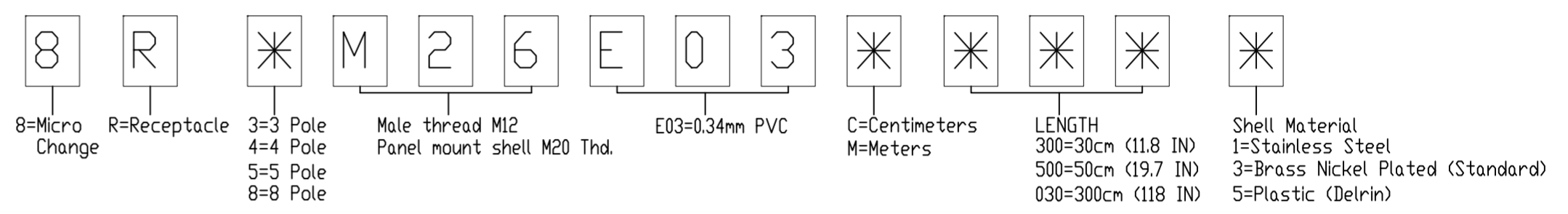
Pin	Wire color
1	WHITE
2	BROWN
3	GREEN
4	YELLOW
5	GRAY
6	PINK
7	BLUE
8	RED

PART NO.	ENGINEERING NO	L[mm]	POLE	RECEPTACLE MAT.
1200110257	8R5M26E03C3003	300	5	BRASS/NI PLATE
1200110261	8R5M26E03C1503	150	5	BRASS/NI PLATE
1200110267	8R4M26E03C1505	150	4	DELTRIN
1200110652	8R5M26E03C5003	500	5	BRASS/NI PLATE
1200700166	8R4M26E03C3001	300	4	ST. STEEL
1200700167	8R4M26E03C3003	300	4	BRASS/NI PLATE
1200700279	8R8M26E02C3005	300	8	DELTRIN
1200708070	8R8M26E02C3003	300	8	BRASS/NI PLATE
1200708084	8R4M26E03C5003	500	4	BRASS/NI PLATE
1200708085	8R8M26E03C5003	500	8	BRASS/NI PLATE
1200708088	8R4M26E03C3005	300	4	DELTRIN
1200708094	8R4M26E03M0103	1000	4	BRASS/NI PLATE

CABLE LENGTH TOLERANCES

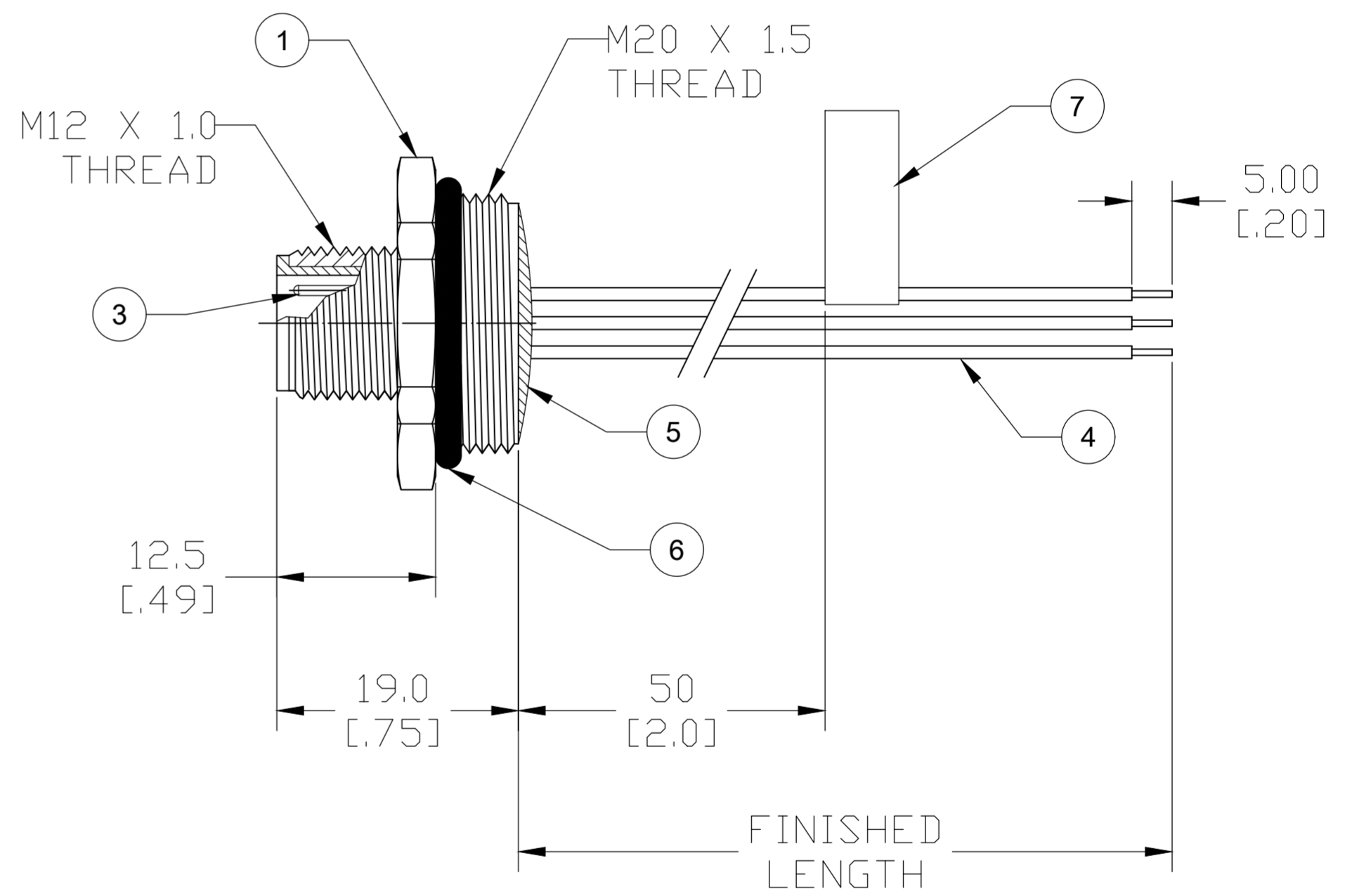
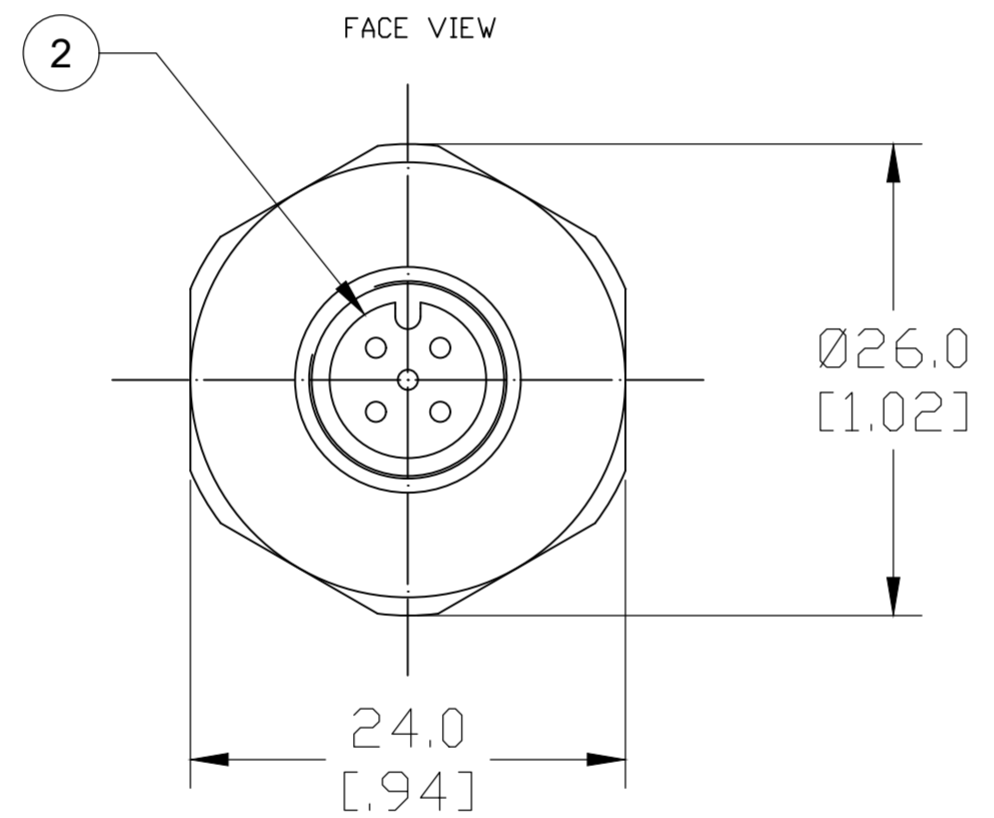
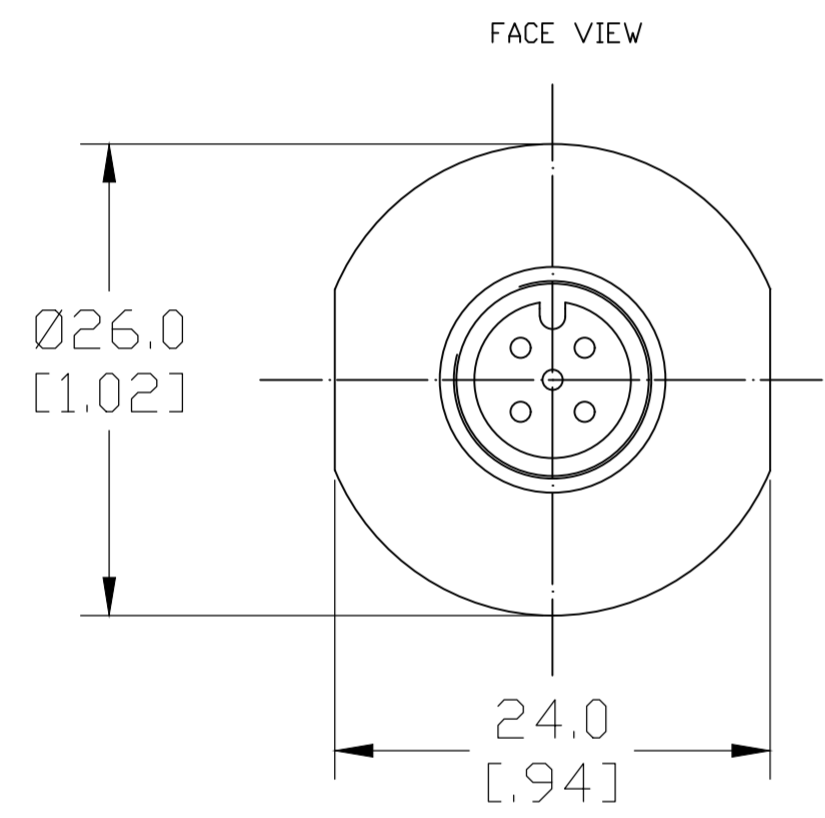
>.3M [1FT]: +19mm-0 [+ .75in-0]
 .3 - .9M [1 - 3FT]: +44.5mm-0 [+1.75in-0]
 .9 - 1.8M [3 - 6FT]: +55.6mm-0 [+2.19in-0]
 1.8 - 3.7M [6 - 12FT]: +88.9mm-0 [+3.50in-0]
 3.7 - 7.3M [12 - 24FT]: +165.1mm-0 [+6.50in-0]
 7.3-14.6M [24 - 48FT]: +317.5mm-0 [+12.50in-0]
 14.6 - 30.5M [48-100FT]: +622.3mm-0 [+24.50in-0]
 OVER 30M [100FT] +2% OF FINISHED LENGTH

PART No MATRIX

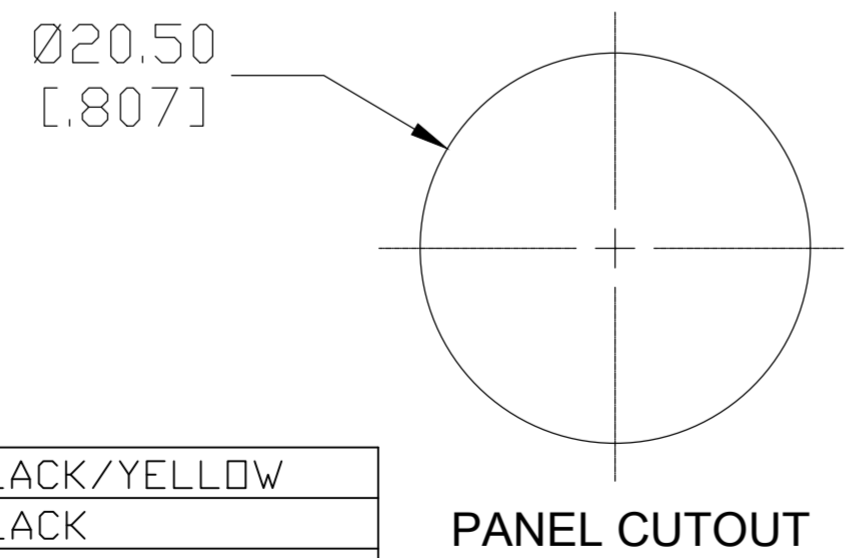


DELTRIN AND ST STEEL VERSION

BRASS (NICKEL PLATE) VERSION



- NOTES:**
- MATERIAL: AS NOTED
 - FINISH: AS NOTED
 - ELECTRICAL:
 VOLTAGE: 250V (3, 4 & 5 POLE)
 CURRENT: 4A
 VOLTAGE: 30VAC/36VDC (8 POLE)
 CURRENT: 2A
 - TEMP RATING: -20°C TO +105°C
 - PROTECTION: IP67 (WHEN MATED)
 - UL LISTED FILE: E152210
 - ALL DIMS ARE FOR REFERENCE UNLESS TOLERANCED OR NOTED OTHERWISE



ITEM	DESCRIPTION	MATERIAL	FINISH
7	FLAG LABEL	VINYL	BLACK/YELLOW
6	O-RING	NITRILE	BLACK
5	POTTING MATERIAL	PUR	
4	WIRE 22AWG (UL1569)	PVC INSULATION	SEE FACE VIEW
3	CONTACT PIN	COPPER ALLOY	GOLD PLATED
2	MALE INSERT	NYLON	BLACK
1	RECEPTACLE SHELL	SEE P/N TABLE	SEE P/N TABLE

THIS DRAWING CONTAINS INFORMATION THAT IS PROPRIETARY TO MOLEX ELECTRONIC TECHNOLOGIES, LLC AND SHOULD NOT BE USED WITHOUT WRITTEN PERMISSION

SYMBOLS

▽ = 0	DIMENSION UNITS	SCALE	CURRENT REV DESC: RELEASED
▽ = 0	MM/INCH	---	
▽ = 0	GENERAL TOLERANCES (UNLESS SPECIFIED)		
▽ = 0		mm	INCH
▽ = 0	4 PLACES	±----	±----
▽ = 0	3 PLACES	±----	±----
▽ = 0	2 PLACES	±----	±----
▽ = 0	1 PLACE	±----	±----
▽ = 0	0 PLACES	±----	±----
▽ = 0	ANGULAR TOL ± ---- °		
▽ = 0	DRAFT WHERE APPLICABLE MUST REMAIN WITHIN DIMENSIONS		
▽ = 0	THIRD ANGLE PROJECTION	DRAWING	SERIES
▽ = 0		C-SIZE	120070

EC NO: 629880
 DRWN: RSTONE 2019/11/26
 CHK'D: MZIELINSKI 2020/01/06
 APPR: BWOODMAN 2020/01/14

INITIAL REVISION:
 DRWN: RSTONE 2019/11/26
 APPR: BWOODMAN 2020/01/14

molex

MICRO-CHANGE MALE RECEPTACLE
 M12 X M20 3, 4, 5 & 8 POLE, 0.34MM² (22AWG)

PRODUCT CUSTOMER DRAWING

DOCUMENT NUMBER	DOC TYPE	DOC PART	REVISION
1200700166	PSD	000	A

MATERIAL NUMBER: SEE P/N CHART
 CUSTOMER: ----
 SHEET NUMBER: 1 OF 1