

THIS DRAWING IS UNPUBLISHED. RELEASED FOR PUBLICATION 20
 © COPYRIGHT 20 BY TYCO ELECTRONICS CORPORATION. ALL RIGHTS RESERVED.

LOC		DIST		REVISIONS			
P	LTR	DESCRIPTION	DATE	DWN	APVD		
GP	00	A	RELEASED	21OCT2008	RG	PD	
		B	REV PER ECO-09-011440	18MAY2009	RG	MS	
		BI	ADD TIN VERSION P/N W/DASH -2	14NOV2011	OL	SZ	

1. PART NUMBER CHANGES AND OR DESIGN CHANGES AFFECTING ITEM INTERCHANGEABILITY REQUIRE PRIOR TYCO ELECTRONICS APPROVAL AND AUTHORIZATION BY REVISION TO THIS DRAWING.

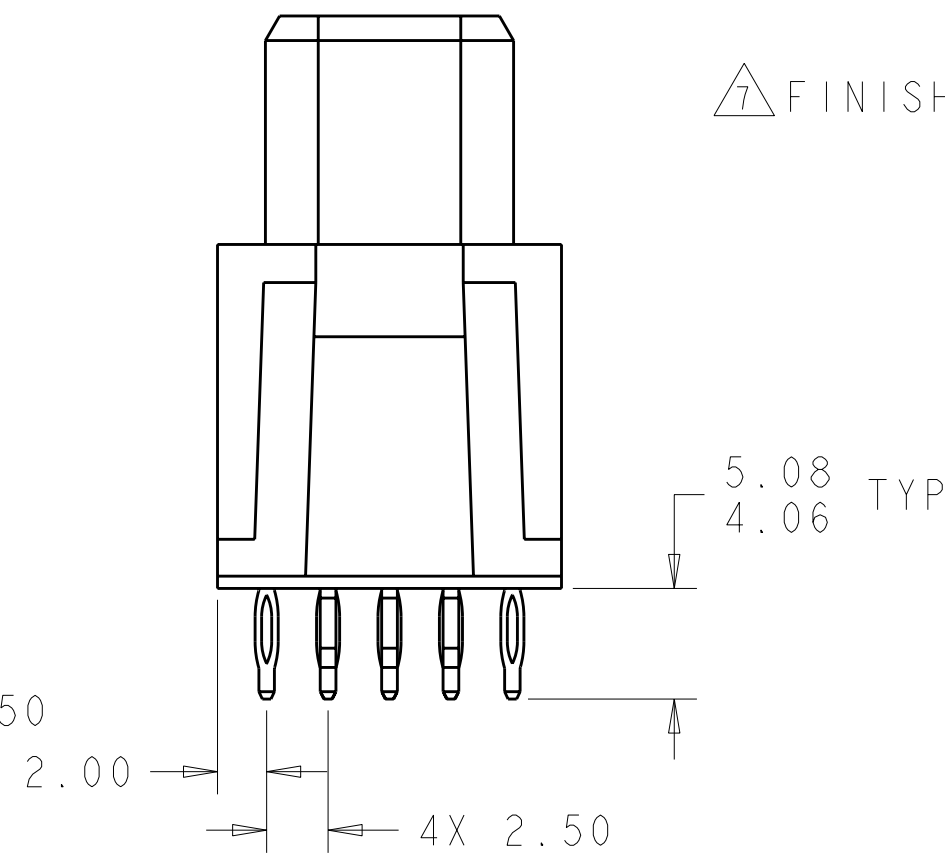
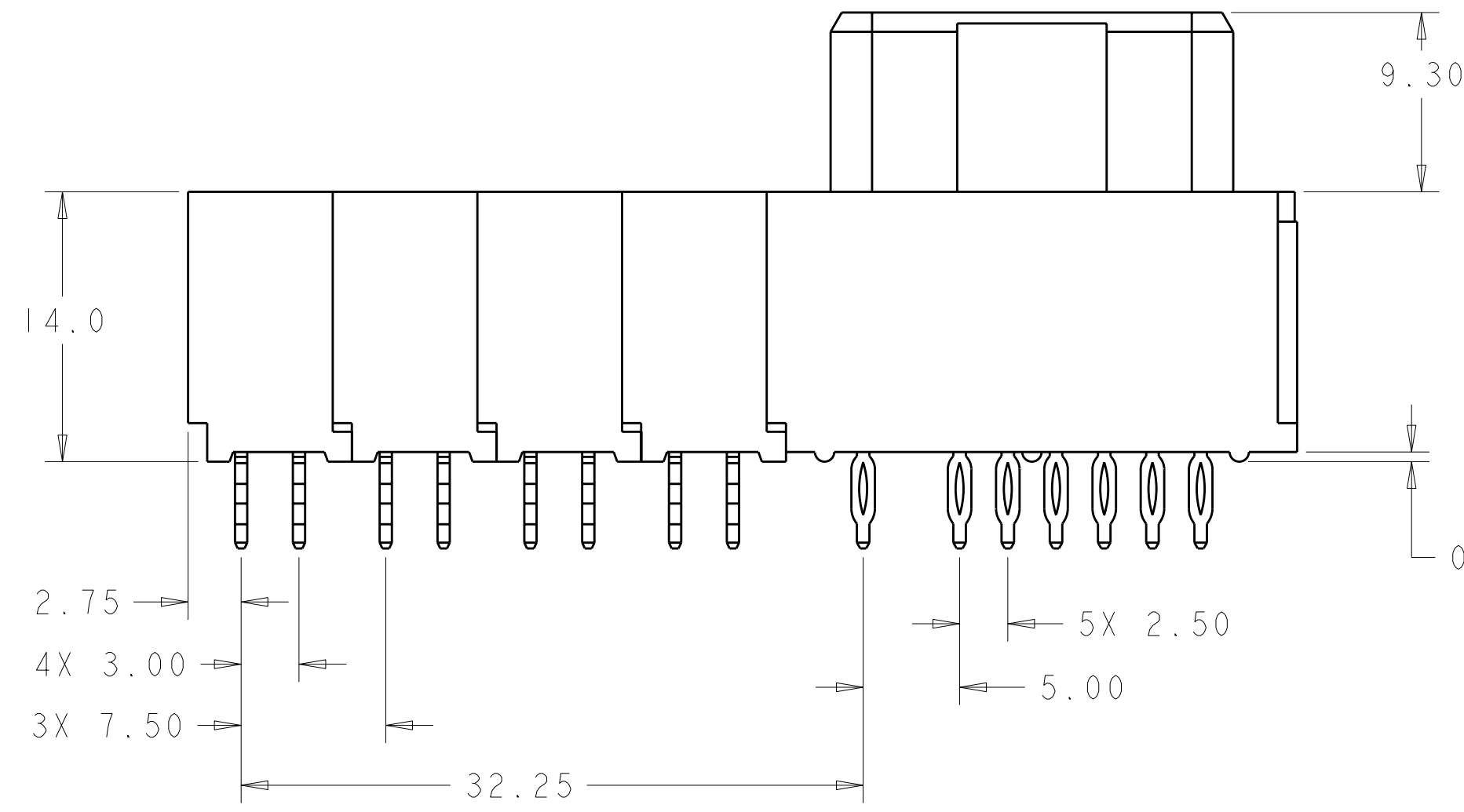
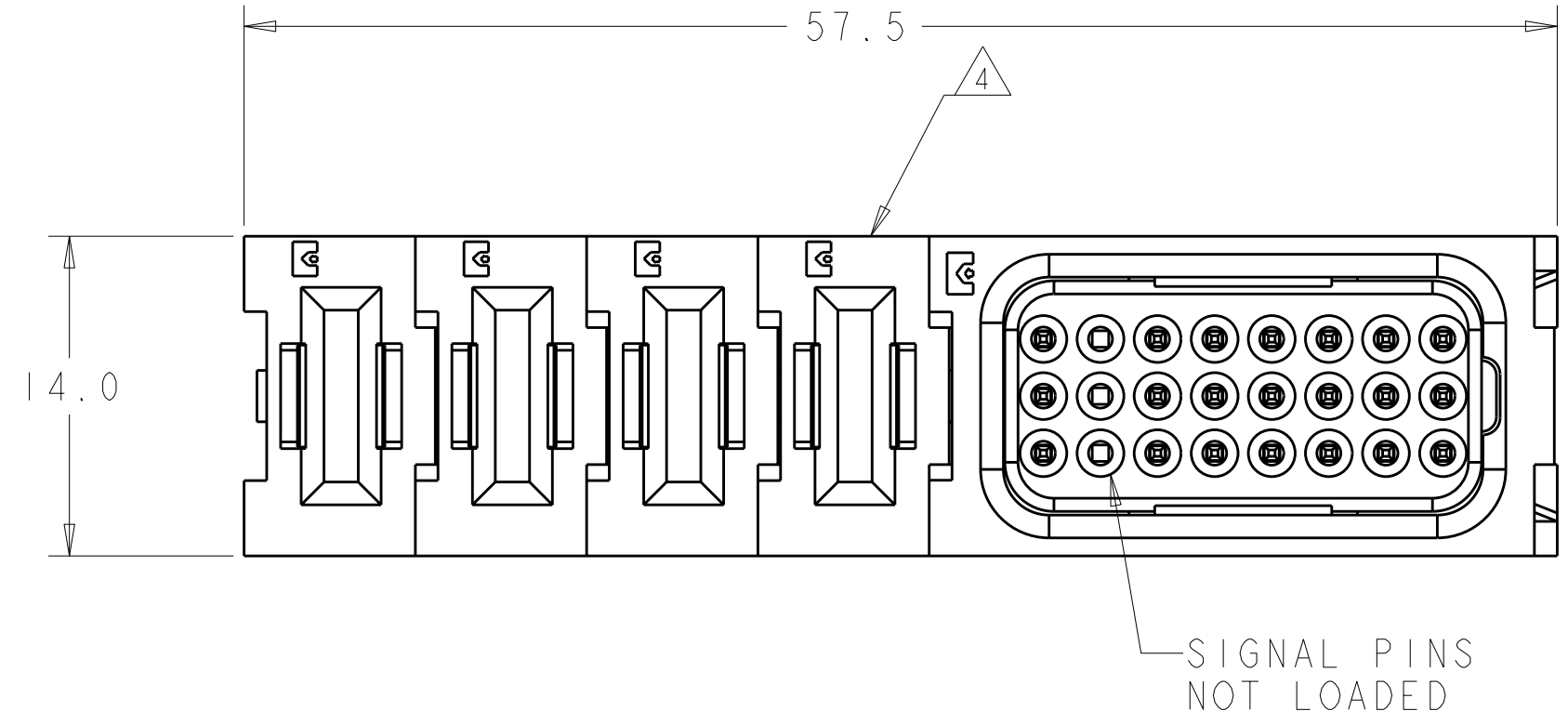
2 MATERIAL:
 INSULATORS - THERMOPLASTIC, GLASS REINFORCED, COLOR: BLACK
 UL94V-0 FLAMMABILITY RATED.
 POWER CONTACTS - PHOSPHOR BRONZE ALLOY, COPPER ALLOY
 CROWN BAND-BERYLLIUM COPPER ALLOY
 PRESS-FIT CONTACTS-BERYLLIUM COPPER ALLOY

3 FINISH:
 CONTACTS - GOLD PLATE .76µm MIN. THK., OVER NICKEL 1.27µm MIN. THK
 PRESS-FIT TAILS- TIN/LEAD 3.05 MIN. THK. OVER NICKEL 1.27µm MIN THK.

4 ITEMS PROVIDED TO THIS SPECIFICATION TO BE PERMANENTLY IDENTIFIED PER THE FOLLOWING IDENTIFIER LABEL

TYCO ELECTRONICS P/N DATE CODE (e.g. 0106)
 XXXXXXXX-X XXXX
 YEAR WEEK

7 FINISH:
 CONTACTS - GOLD PLATE .76µm MIN. THK., OVER NICKEL 1.27µm MIN. THK
 PRESS-FIT TAILS- TIN 3.05 MIN. THK. OVER NICKEL 1.27µm MIN THK.



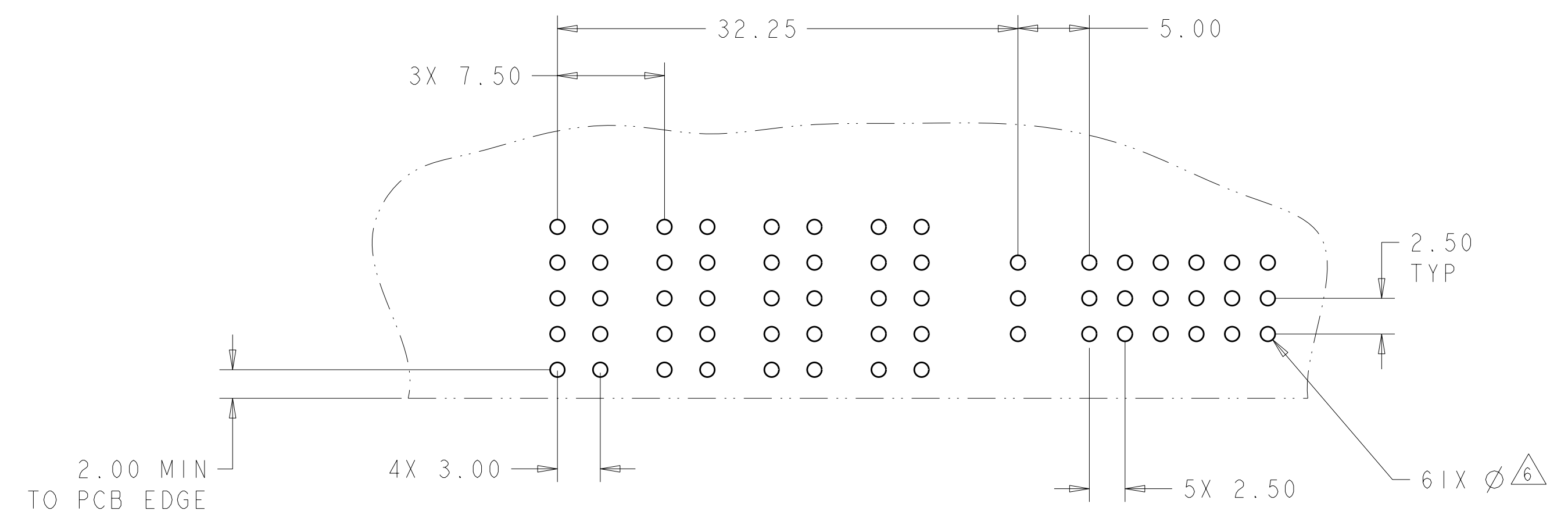
7	AS SHOWN	1926885-2
3	AS SHOWN	1926885-1
	DESCRIPTION	PART NUMBER

ELCON FLATPAQ

THIS DRAWING IS A CONTROLLED DOCUMENT FOR TYCO ELECTRONICS CORPORATION. IT IS SUBJECT TO CHANGE AND THE CONTROLLING ENGINEERING ORGANIZATION SHOULD BE CONTACTED FOR THE LATEST REVISION.		DWN R. GRZYBOWSKI 22JULY08	Tyco Electronics Harrisburg, PA 17105-3608	
DIMENSIONS: mm		CHK P. DAMATO 22JULY08	NAME SOCKET CONNECTOR STRAIGHT, PRESS-FIT TAILS FLATPAQ	
TOLERANCES UNLESS OTHERWISE SPECIFIED: 0 PLC ±.5 1 PLC ±.5 2 PLC ±.25 3 PLC ±. 4 PLC ±. ANGLES ±3 FINISH		APVD S. FLICKINGER 22JULY08	SIZE A2 CAGE CODE 00779 DRAWING NO. 1926885 RESTRICTED TO -	
MATERIAL 2 - 3 -		PRODUCT SPEC -	SCALE 3:1 SHEET 1 OF 3 REV BI	
		APPLICATION SPEC -		
		WEIGHT -		
		CUSTOMER DRAWING		

THIS DRAWING IS UNPUBLISHED. RELEASED FOR PUBLICATION 20
 © COPYRIGHT 20 BY TYCO ELECTRONICS CORPORATION. ALL RIGHTS RESERVED.

LOC	DIST	REVISIONS			
P	LTR	DESCRIPTION	DATE	DWN	APVD
GP	00	-	SEE SHEET 1	-	-



PRINTED CIRCUIT LAYOUT
 COMPONENT SIDE

CONNECTOR	CATALOG MODULE #	QTY	SIZE NO.	CONTACT QTY	MATING PIN	MAX. CURRENT (PER CONTACT)	CONTACT SPACING	VOLTAGE RATING
SOCKET	FP250	4	8	4	1.25 X 7.00 [.049 X .276]	35 amps	7.50 [0.295]	250 VOLTS
	FP418	1	22	24	.64 [.025] SQ.	3 amps	2.50 [.0984]	125 VOLTS

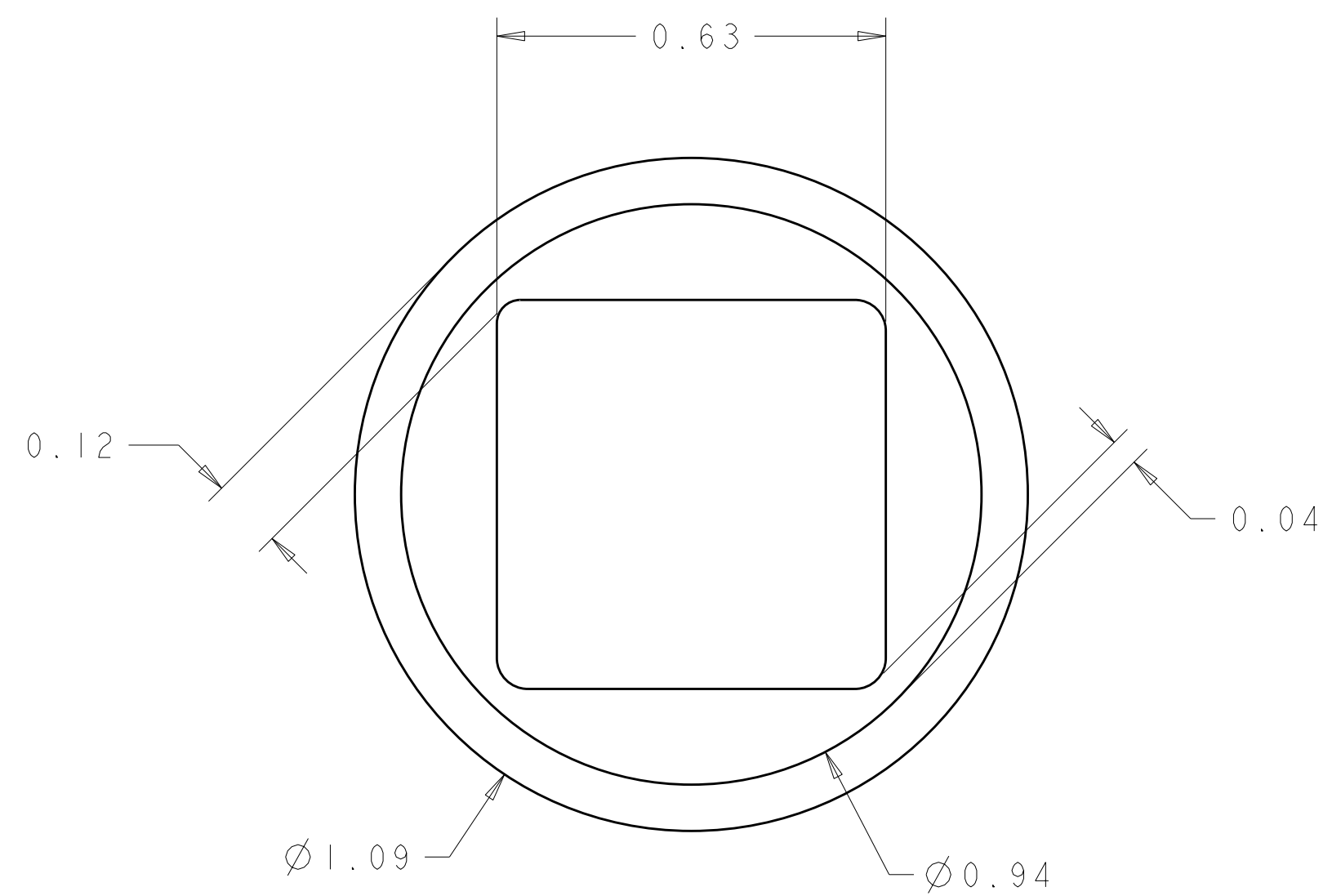
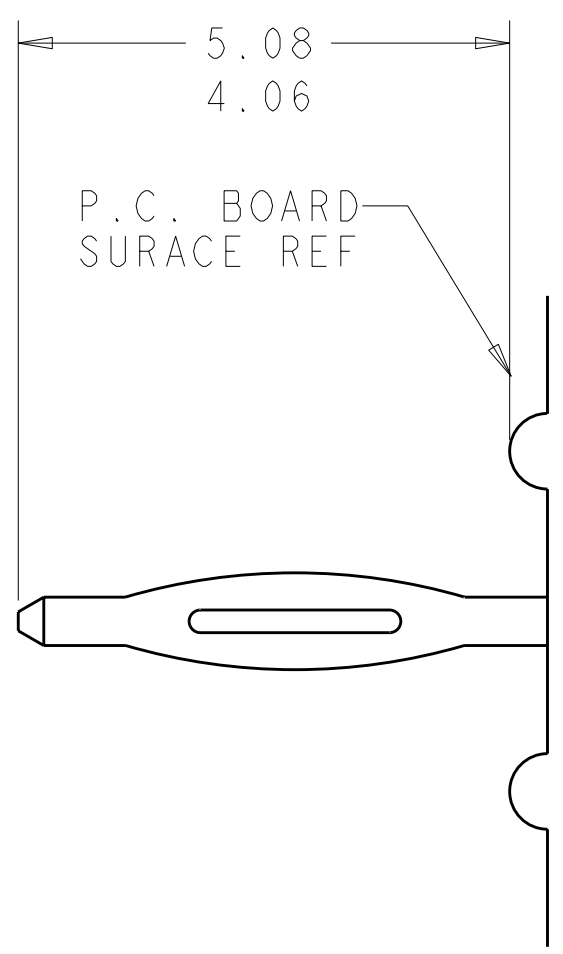
THIS DRAWING IS A CONTROLLED DOCUMENT FOR TYCO ELECTRONICS CORPORATION. IT IS SUBJECT TO CHANGE AND THE CONTROLLING ENGINEERING ORGANIZATION SHOULD BE CONTACTED FOR THE LATEST REVISION.

DWN R. GRZYBOWSKI 22JULY08	Tyco Electronics Harrisburg, PA 17105-3608	
CHK P. DAMATO 22JULY08	NAME SOCKET CONNECTOR STRAIGHT, PRESS-FIT TAILS FLATPAQ	
APVD S. FLICKINGER 22JULY08	SIZE A200779	DRAWING NO. C-1926885
PRODUCT SPEC -	RESTRICTED TO -	
APPLICATION SPEC -	SCALE 3:1	SHEET 2 OF 3
WEIGHT -	CUSTOMER DRAWING	REV B1

ELCON FLATPAQ

THIS DRAWING IS UNPUBLISHED. RELEASED FOR PUBLICATION 20
 © COPYRIGHT 20 BY TYCO ELECTRONICS CORPORATION. ALL RIGHTS RESERVED.

LOC	DIST	REVISIONS			
P	LTR	DESCRIPTION	DATE	DWN	APVD
GP	00	-	SEE SHEET 1	-	-



5. COMPLIANT PIN DETAIL
 SCALE 10 : 1
 INSERTION/EXTRACTION FORCES
 MAXIMUM PUSH IN: 133.3N PER PIN
 [30 LBS]
 MINIMUM PUSH OU: 44.4N PER PIN
 [10 LBS]

6. SOLDER TERMINATION AREA
 RECOMMENDED PRINTED CIRCUIT HOLE
 COMPLIANT PRESS FIT
 FINISHED HOLE: $\varnothing 1.02 \pm .08$
 DRILLED HOLE: $\varnothing 1.15 \pm .013$
 COPPER PLATE: .025 MIN (PER SURFACE)
 TIN PLATE: .008 MIN. (PER SURFACE)

ELCON **FLATPAQ**

THIS DRAWING IS A CONTROLLED DOCUMENT FOR TYCO ELECTRONICS CORPORATION IT IS SUBJECT TO CHANGE AND THE CONTROLLING ENGINEERING ORGANIZATION SHOULD BE CONTACTED FOR THE LATEST REVISION.		DWN R. GRZYBOWSKI 22JULY08	Tyco Electronics Harrisburg, PA 17105-3608	
DIMENSIONS: mm		CHK P. DAMATO 22JULY08	NAME SOCKET CONNECTOR STRAIGHT, PRESS-FIT TAILS FLATPAQ	
TOLERANCES UNLESS OTHERWISE SPECIFIED:		APVD S. FLICKINGER 22JULY08	SIZE A200779	CAGE CODE C-1926885
0 PLC ±.5 1 PLC ±.5 2 PLC ±.25 3 PLC ±. 4 PLC ±. ANGLES ±3 FINISH		PRODUCT SPEC - APPLICATION SPEC -	DRAWING NO -	RESTRICTED TO -
MATERIAL -	WEIGHT -	CUSTOMER DRAWING		SCALE 3:1 SHEET 3 OF 3 REV B1