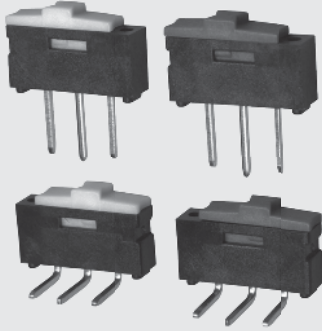


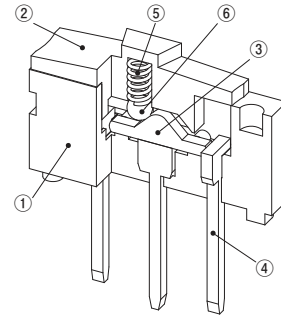
## RoHS compliant



## FEATURES

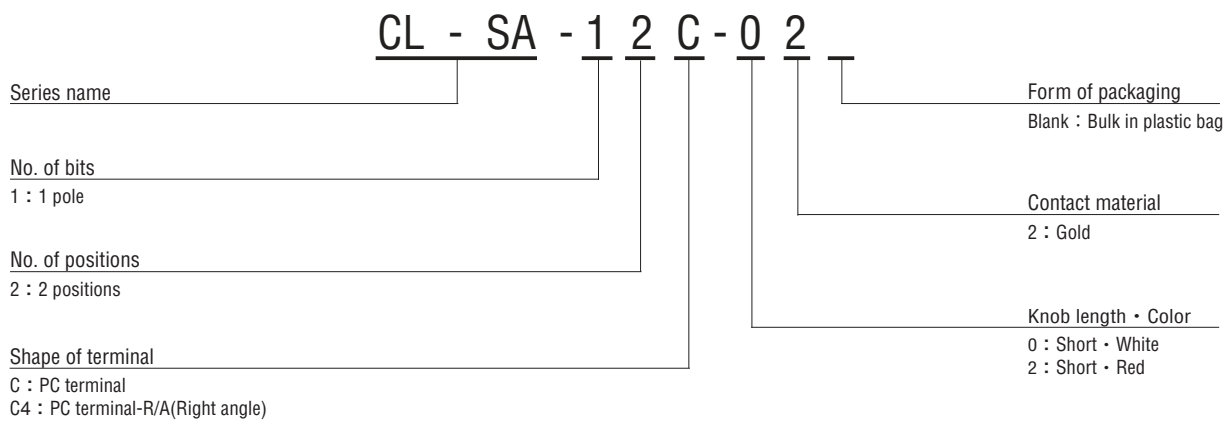
- Correspond to rating current 500mA
- Possible to continue mounting with 2.54mm pitch
- RoHS compliant

## INTERNAL STRUCTURE



Part name	Material	Flammability
① Housing	Polyamido	UL94V-0
② Slider	Polyamido	UL94V-0
③ Slider contact	Copper alloy, Gold-plated	—
④ Terminal pin	Copper alloy, Gold-plated	—
⑤ Click spring	Stainless steel(SUS304)	—
⑥ Click ball	Stainless steel(SUS304)	—

## PART NUMBER DESIGNATION



※ Please refer to the LIST OF PART NUMBERS when placing orders.

# CL-SA

## SLIDE SWITCHES

### LIST OF PART NUMBERS

No. of poles	No. of contacts	Contact material	Knob length · Color	Shape of terminal	Part number	From of packaging	Pieces in package
1	2	Gold	Short · White	PC terminal	CL-SA-12C-02	Plastic bag	50pcs./pack
			Short · Red		CL-SA-12C-22		
			Short · White	PC terminal-R/A	CL-SA-12C4-02		
			Short · Red		CL-SA-12C4-22		

### STANDARD SPECIFICATIONS

Operating temp. range	- 40 ~ 85 °C
Storage temp. range	
Sealing	Non- Washable

### ELECTRICAL CHARACTERISTICS

Contact rating Non-switching Switching Minimum	DC50 V 500mA DC12 V 500mA DC20 mV 1 μ A
Initial contact resistance	22 m Ω maximum
Insulation resistance	10,000 M Ω minimum (DC100 V)
Dielectric strength	AC500 V 60 s

### MECHANICAL CHARACTERISTICS

Stroke	1.6 mm	
Operation force	2.5 ± 1.5 N {0.26 ± 0.15kgf}	
Load life	Rated load	2,000 cycles
	No load	10,000 cycles
Soldering heat	Flow : 260 °C ± 3 5 ~ 6 s 2 times max. ※Except a right angle(CL-SA-12C4-*2)	
	Manual soldering : 380 ± 10 °C 3 ~ 4 s	

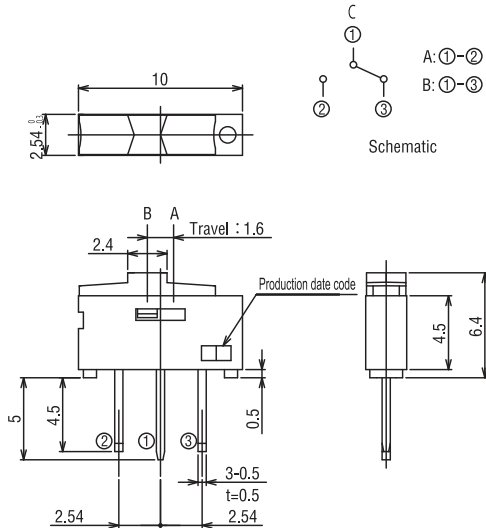
### PACKAGING SPECIFICATION

Plastic bag	50pcs./ pack
-------------	--------------

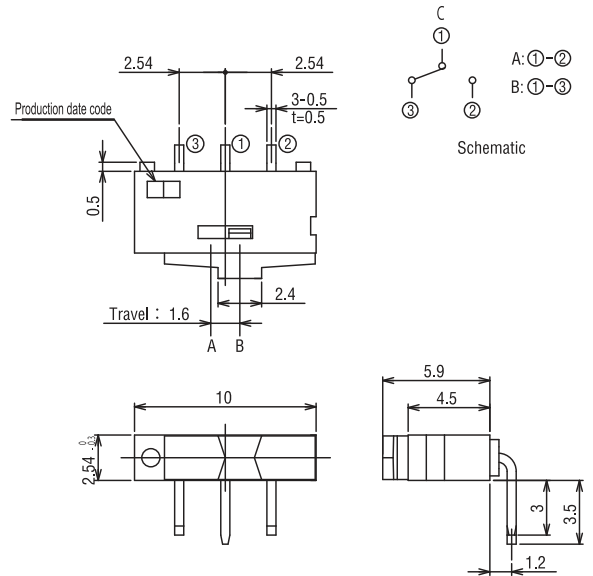
## OUTLINE DIMENSIONS

Unless otherwise specified, tolerance:  $\pm 0.3$  (Unit: mm)

- CL-SA-12C-02
- CL-SA-12C-22



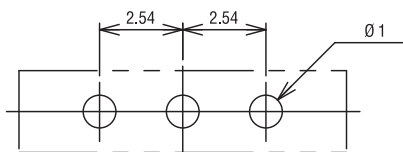
- CL-SA-12C4-02
- CL-SA-12C4-22



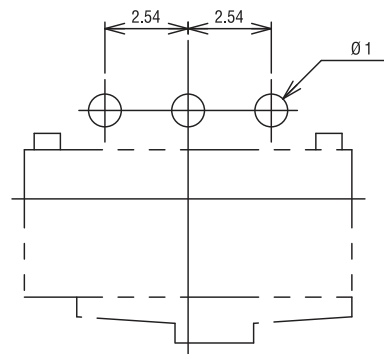
## SIZE OF P.C.B. PROCESSING

(Unit : mm)

- CL-SA-12C-02
- CL-SA-12C-22



- CL-SA-12C4-02
- CL-SA-12C4-22



## PACKAGING SPECIFICATIONS

### <Bulk pack specifications>

- The smallest unit of bulk pack in plastic bag is 10 pcs. per pack. Orders will be accepted for unit of minimum 10 pcs., i.e., 10, 20, 30 pcs., etc.
- Boxing of bulk in a plastic bag is performed with 50 pcs. (standard 100 pcs.) per box.