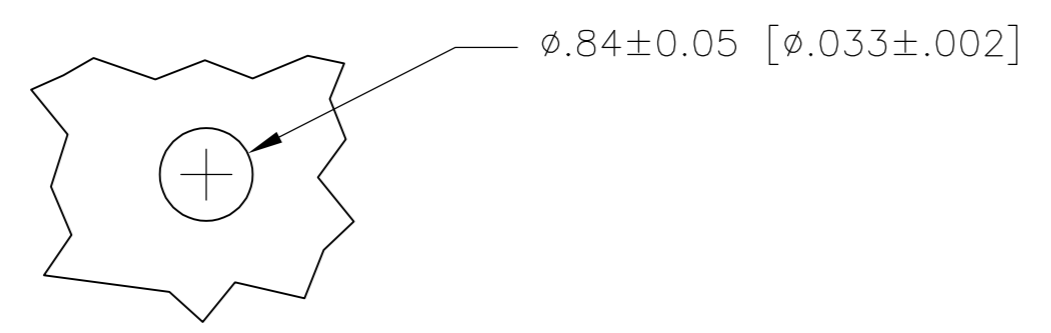
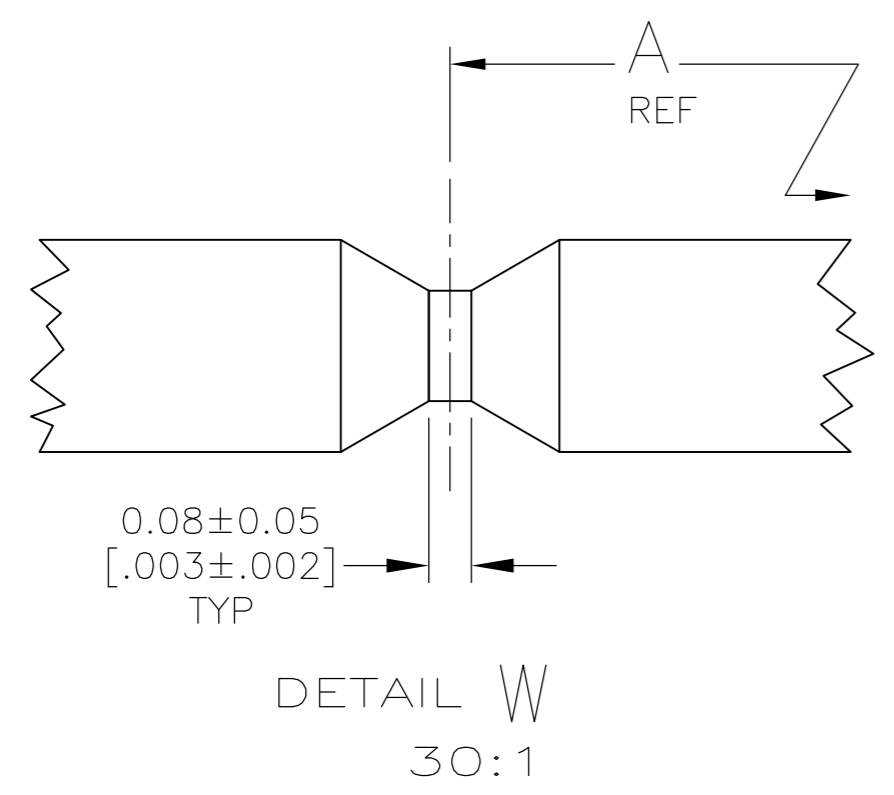
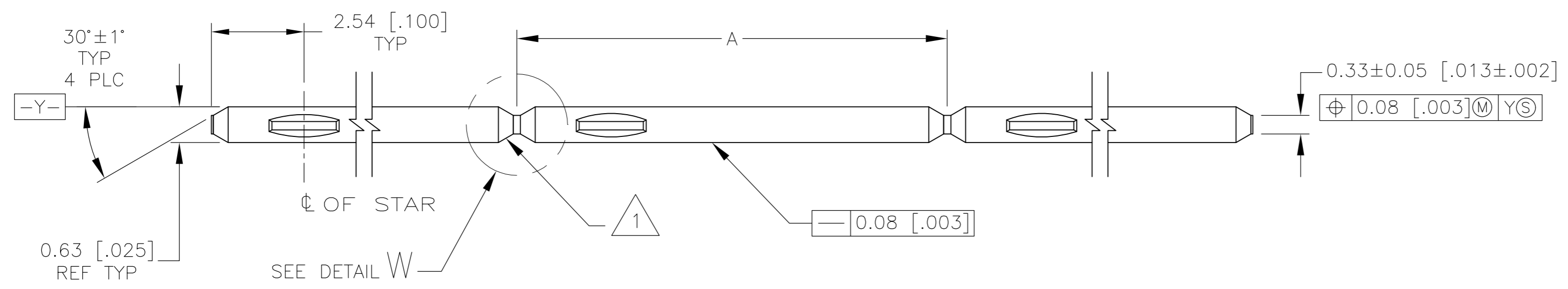


LOC	DIST	REVISIONS			
P	LTR	DESCRIPTION	DATE	DWN	APVD
D		ECO-07-021031	11SEP07	MB	JG
D1		REVISED PER ECO-09-020689	25AUG09	KK	AEG

- 1 THE NOTCHED EDGES AND POST TIPS WILL NOT BE PLATED.
- 2 0.00254-0.00508 [.000100-.000200] MATTE TIN OVER 0.00127 [.000050] MIN NICKEL.
- 3 OBSOLETE PARTS: OBSOLETE CIS STREAMLINING PER D.RENAUD/D.SINISI



RECOMMENDED TIN PLATED HOLE SIZE

25.40	[1.000]	6-147433-1
25.15	-.990	6-147433-0
24.89	-.980	5-147433-9
24.64	-.970	5-147433-8
24.38	-.960	5-147433-7
24.13	-.950	5-147433-6
23.88	-.940	5-147433-5
23.62	-.930	5-147433-4
23.37	-.920	5-147433-3
23.11	-.910	5-147433-2
22.86	-.900	5-147433-1
22.61	-.890	5-147433-0
22.35	-.880	4-147433-9
22.10	-.870	4-147433-8
21.84	-.860	4-147433-7
21.59	-.850	4-147433-6
21.34	-.840	4-147433-5
21.08	-.830	4-147433-4
20.83	-.820	4-147433-3
20.57	-.810	4-147433-2
20.32	-.800	4-147433-1
20.07	-.790	4-147433-0
19.81	-.780	3-147433-9
19.56	-.770	3-147433-8
19.30	-.760	3-147433-7
19.05	-.750	3-147433-6
18.80	-.740	3-147433-5
18.54	-.730	3-147433-4
18.28	-.720	3-147433-3
18.03	-.710	3-147433-2
17.78	-.700	3-147433-1
17.53	-.690	3-147433-0
17.27	-.680	2-147433-9
17.02	-.670	2-147433-8
16.76	-.660	2-147433-7
16.51	-.650	2-147433-6
16.26	-.640	2-147433-5
16.00	-.630	2-147433-4
15.75	-.620	2-147433-3
15.49	-.610	2-147433-2
15.24	-.600	2-147433-1
14.99	-.590	2-147433-0
14.73	-.580	1-147433-9
14.48	-.570	1-147433-8
14.22	-.560	1-147433-7
13.97	-.550	1-147433-6
13.72	-.540	1-147433-5
13.46	-.530	1-147433-4
13.21	-.520	1-147433-3
12.95	-.510	1-147433-2
12.70	-.500	1-147433-1
12.45	-.490	1-147433-0
12.19	-.480	147433-9
11.94	-.470	147433-8
11.68	-.460	147433-7
11.43	-.450	147433-6
11.18	-.440	147433-5
10.92	-.430	147433-4
10.67	-.420	147433-3
10.41	-.410	147433-2
10.16	-.400	147433-1

OBSOLETE
 3
 OBSOLETE
 3

THIS DRAWING IS A CONTROLLED DOCUMENT.		DWN B. HAYMAKER 07JUL00	Tyco Electronics Corporation Harrisburg, PA 17105-3608	
DIMENSIONS: INCHES		CHK J. GESFORD 07JUL00	NAME .025 SQUARE CONTINUOUS POST WITH STAR FEATURE	
TOLERANCES UNLESS OTHERWISE SPECIFIED:		APVD J. GESFORD 07JUL00	RESTRICTED TO	
0 PLC	± -	PRODUCT SPEC	SIZE A2	CAGE CODE 00779
1 PLC	± -	APPLICATION SPEC	DRAWING NO 147433	REV D1
2 PLC	± -	114-13011	SCALE 15:1	SHEET 1 of 1
3 PLC	± 0.13[.005]	WEIGHT -	CUSTOMER DRAWING	
4 PLC	± -	MATERIAL BRASS		
ANGLES	± -	FINISH - 2		