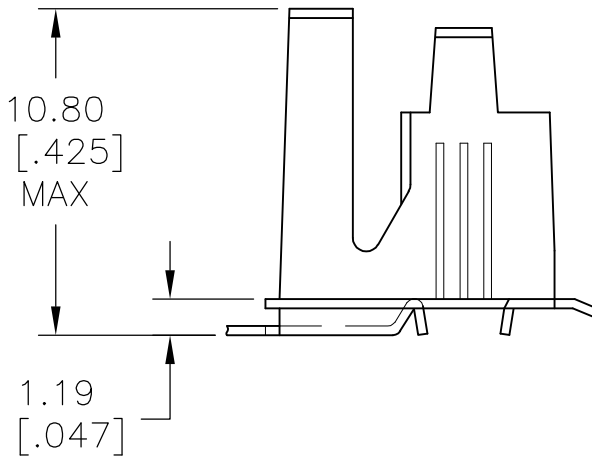
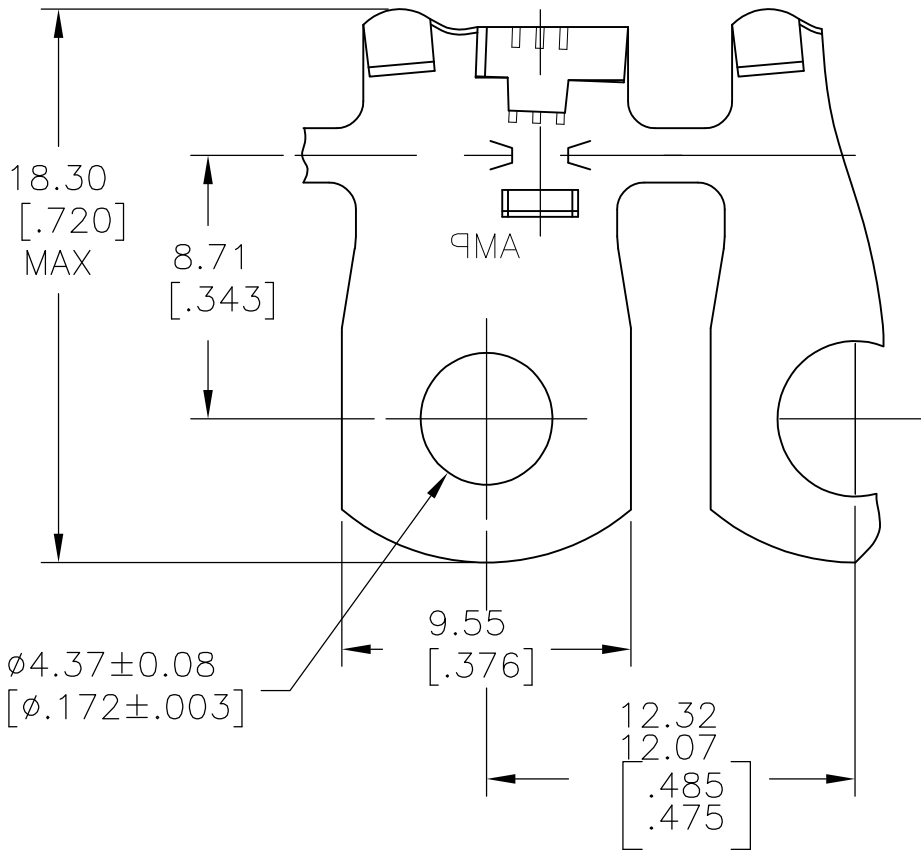


LOC	DIST	REVISIONS					
—	—	P	LTR	DESCRIPTION	DATE	DWN	APVD
		A		REVISED PER ECR-10-019776	22OCT10	HMR	PD



- 1 CONTINUOUS STRIP ON REELS
- 2 WIRE SIZE: #18-12 AWG
- 3 INSULATION RANGE #.110-.210

42190-1
PART NUMBER

THIS DRAWING IS UNPUBLISHED. ALL INTERNATIONAL RIGHTS RESERVED. BY TYCO ELECTRONICS CORPORATION. © COPYRIGHT

DIMENSIONS: mm [INCHES]	DWN	22OCT10	MATERIAL	BRASS	FINISH	TIN
	CHK	22OCT10	Tyco Electronics Corporation Harrisburg, PA 17105-3608			
TOLERANCES UNLESS OTHERWISE SPECIFIED:	APVD	22OCT10	NAME FLAG RING			
	PRODUCT SPEC	—	SIZE	A4	CAGE CODE	00779
0 PLC ± -	APPLICATION SPEC	—	DRAWING NO	C-42190		RESTRICTED TO
1 PLC ± -	WEIGHT	—	CUSTOMER DRAWING			SCALE
2 PLC ± -			SCALE			4:1
3 PLC ± .015			SHEET			1 OF 1
4 PLC ± -			REV			A
ANGLES ± 1°						

