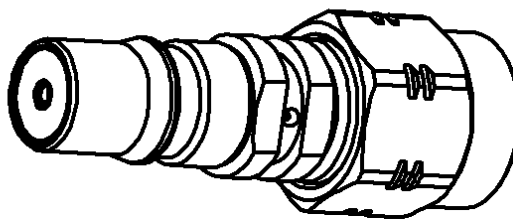
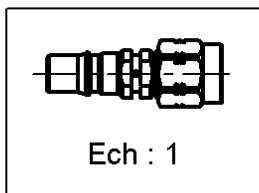
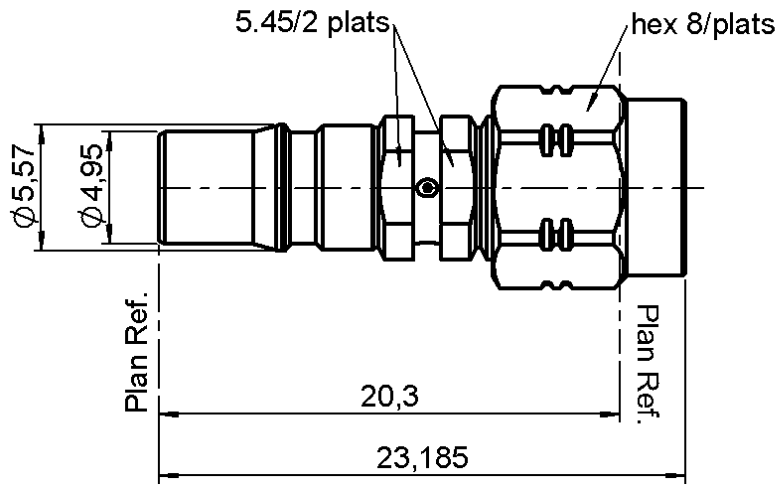


QMA FEMALE - SMA MALE STRAIGHT ADAPTER

R191.912.000

Série : ADAPT



All dimensions are in mm.

COMPONENTS	MATERIALS	PLATINGS (µm)
BODY	BRASS	BBR 2
CENTER CONTACT	BRASS	GOLD 1.3 OVER COPPER 2.5
OUTER CONTACT	-	-
INSULATOR	PTFE	-
GASKET	SILICONE RUBBER	-
OTHERS PARTS	BRASS	BBR 2
-	-	-
-	-	-

Issue : 0408 B

In the effort to improve our products, we reserve the rights to make changes judged to be necessary.



QMA FEMALE - SMA MALE STRAIGHT ADAPTER

R191.912.000

Série : ADAPT

PACKAGING

SPECIFICATION

Standard	Unit	Other
1	-	Contact us

ELECTRICAL CHARACTERISTICS

ENVIRONMENTAL

Impedance		50 Ω
Frequency		0-6 GHz
VSWR	1.18 +	0.000 x F(GHz) Maxi
Insertion loss		0.07 √F(GHz) dB Maxi
RF leakage	(*80 - F(GHz) dB mini
Voltage rating		500 Veff Maxi
Dielectric withstanding voltage		1000 Veff mini
Insulation resistance		5000 MΩ mini

Operating	-40/+80 ° C
Hermetic seal	NA Atm.cm3/s
Panel leakage	NA

MECHANICAL CHARACTERISTICS

OTHERS CHARACTERISTICS

Center contact retention		
Axial force – Mating end		27 N mini
Axial force – Opposite end		27 N mini
Torque		2.8 N.cm mini
Recommended torque		
Mating	QMA	0 N.cm
	SMA-	60 N.cm
	COM	
		0 N.cm
Panel nut		N.cm
Mating life		100 Cycles mini
Weight		3.900 g

*RF Leakage Interf. only :3<F<6GHz >70dB

** <-120dBc at 1.8GHz (2x20W)

Issue : 0408 B

In the effort to improve our products, we reserve the rights to make changes judged to be necessary.

