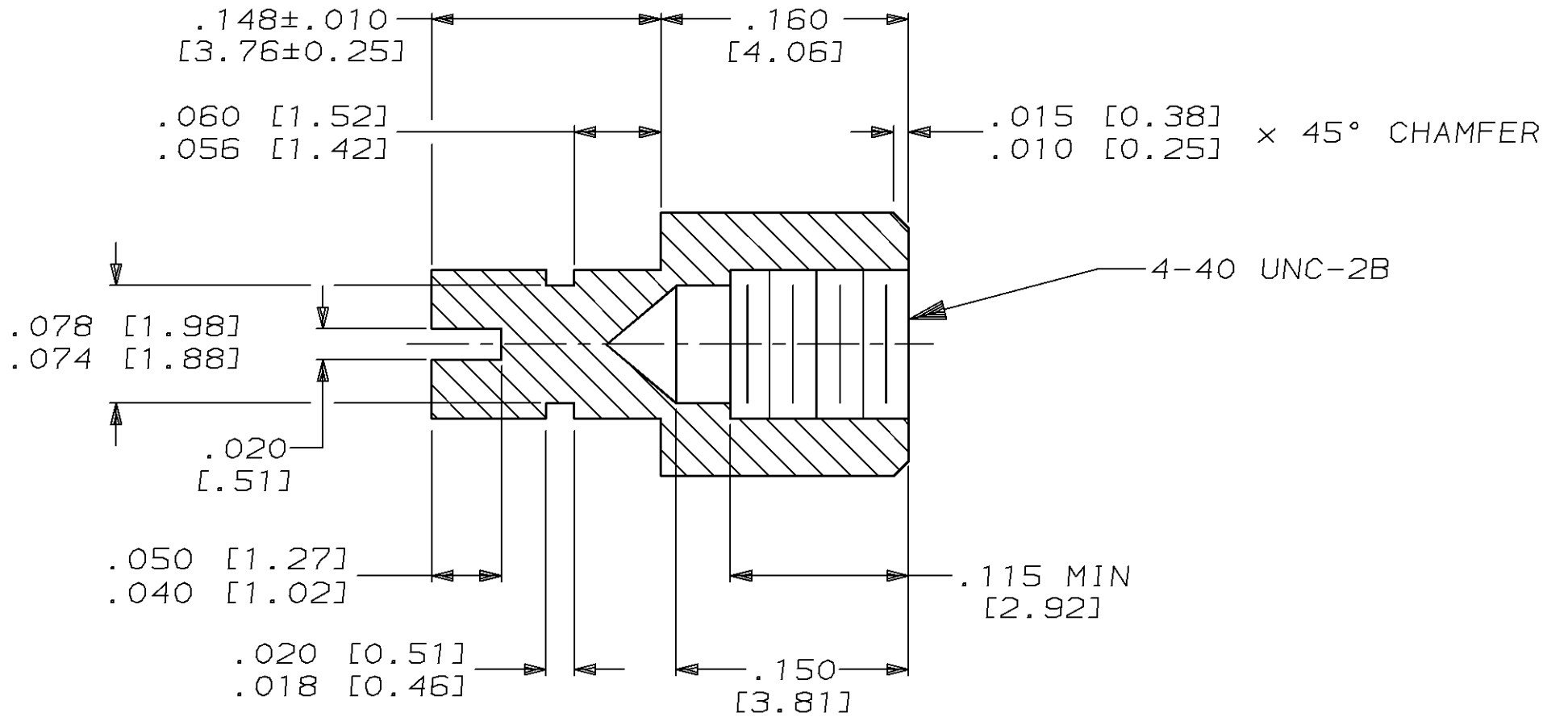
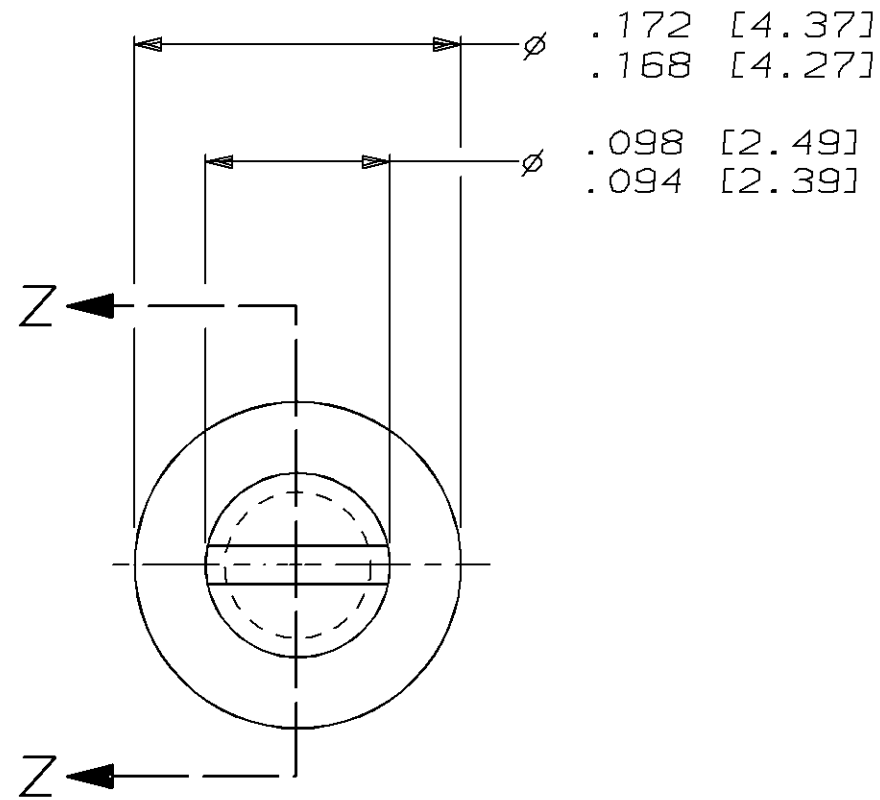


THIS DRAWING IS UNPUBLISHED. RELEASED FOR PUBLICATION, 19 .
© COPYRIGHT 19 BY AMP INCORPORATED. ALL INTERNATIONAL RIGHTS RESERVED.

PROD	LOC	DIST	P	F	ZONE	LTR	DESCRIPTION	DATE	APPD
5380	DF	F0				0	REL PER 0600-2440-94 TA	7-14-94	DG



- 1 STAINLESS STEEL PER ASTM-A-582.
- 2 PASSIVATED PER QQ-P-35.

449870-1
PART NUMBER

DO NOT SCALE PRINT. UNLESS SPECIFIED DIMENSIONS IN mm [INCHES] TOLERANCES ON: 2 PLC DEC \pm - 3 PLC DEC \pm .005 [0.13] ANGLES \pm -	DR 7-12-94 T. ALEXANDER	AMP AMP Incorporated Harrisburg, PA 17105-3608
	CHK 7-14-94 D. GUTTER	
	APPD 7-14-94 D. GUTTER	
	APPD 7-14-94 T. ALEXANDER	
MATERIAL 1	PRODUCT SPEC -	NAME MINI-BOX, JACKSCREW, FEMALE, TURNABLE
FINISH 2	APPLICATION SPEC -	SIZE B
	WEIGHT -	CAGE CODE 00779
		DRAWING NO C=449870
		SCALE 10:1
		SHEET 1 OF 1

THIS DRAWING IS A CONTROLLED DOCUMENT FOR AMP INCORPORATED. IT IS SUBJECT TO CHANGE AND THE CONTROLLING ENGINEERING ORGANIZATION SHOULD BE CONTACTED FOR THE LATEST REVISION.