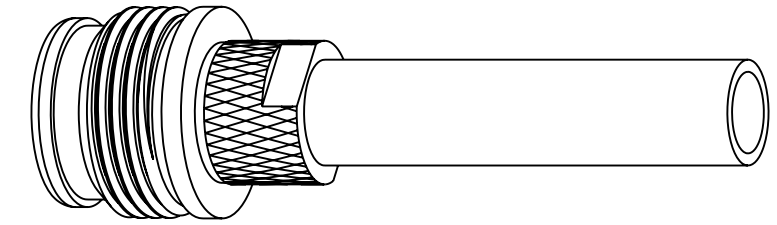
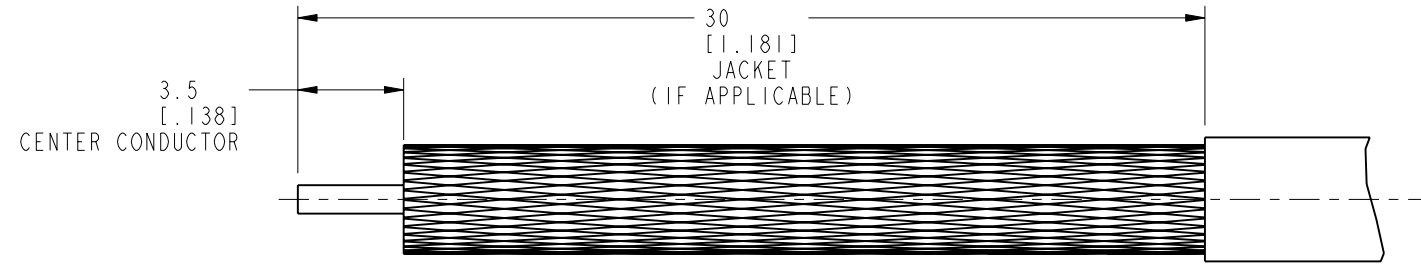


NOTES:

1. MATERIALS AND FINISHES:  
 SHRINK TUBE - POLYOLEFIN, BLACK  
 BODY - BRASS, WHITE BRONZE PLATING  
 CONTACT - BeCu, SILVER PLATING  
 INSULATORS - PTFE, NATURAL  
 OUTER CONTACT - PHOSPHOR BRONZE, WHITE BRONZE PLATING
2. ELECTRICAL:  
 A. IMPEDANCE: 50 OHM  
 B. FREQUENCY RANGE: DC - 20 GHz  
 C. VSWR(RETURN LOSS): 33 dB @ DC - 4 GHz  
 30 dB @ 4 - 6 GHz  
 D. DIELECTRIC WITHSTANDING VOLTAGE: 1000 VRMS, MIN.  
 E. INSULATION RESISTANCE: 3000MΩ MIN.  
 F. INTERMODULATION 3rd ORDER: -166 dBc @2X20W
3. MECHANICAL:  
 A. DURABILITY: 100 CYCLES MIN.  
 B. TEMPERATURE RANGE: -65° C TO +165° C
4. SHOWS CABLE ENTRY DIMENSIONS
5. PACKAGING:  
 A. QUANTITY: SINGLE PACK  
 B. MARKING: PACKAGING TO BE MARKED  
 "AMPHENOL RF, 225-105J-52S & DATE CODE"

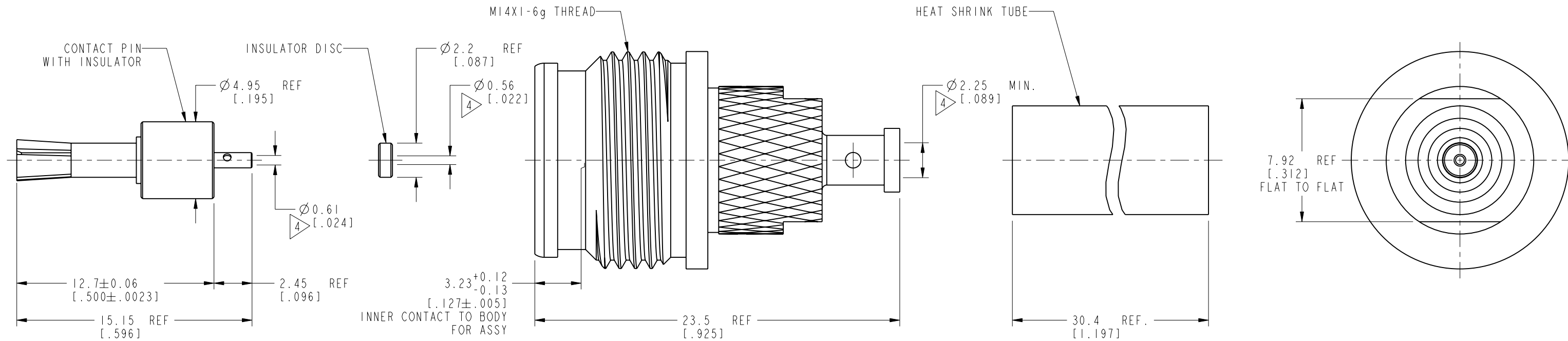
THIRD ANGLE PROJ.

REVISIONS				
REV	DESCRIPTION	DATE	ECN	APPR
A	RELEASE TO MFG.	20-Jun-19	11803	SV



SCALE 2.000

RECOMMENDED  
CABLE STRIPPING DIMS.



**CUSTOMER OUTLINE DRAWING**  
ALL OTHER SHEETS ARE FOR INTERNAL USE ONLY

UNLESS OTHERWISE SPECIFIED, DIMENSIONS ARE IN METRIC AND TOLERANCES ARE: <0.5mm ±0.05mm    0.5 - 6mm ±0.1mm    6 - 30mm ±0.2mm    30 - 120mm ±0.3mm    ANGLES ±1°	MATERIAL SEE NOTES	DRAWN M. ZHANG	DATE 20-Jun-19	TITLE 2.2/5 JACK FOR RG-405 OR .085" SEMI-RIGID CABLE	Amphenol RF www.amphenolrf.com
	REFERENCE EAR# 8104 REF: ---	ENGINEER S. VO	DATE 14-Nov-18		
NOTICE - These drawings, specifications, or other data (1) are, and remain the property of Amphenol corp. (2) must be returned upon request; and (3) are confidential and not to be disclosed to any person other than those to whom they are given by Amphenol Corp. the furnishing of these drawings, specifications, or other data by Amphenol Corp., or to any other person to anyone for any purpose is not to be regarded by implication or otherwise in any manner licensing, granting rights to permitting such holder or any other person to manufacture, use or sell any product, process or design, patented or otherwise, that may in any way be related to or disclosed by said drawings, specifications, or other data.	CONFIGURATION LEVEL: In Work	APPROVED S. HSIEH	DATE 20-Jun-19	SCALE: 4.0:1.0    SHEET 2 OF 2 DWG SIZE B    REV A	
	FINISH	CAD FILE			