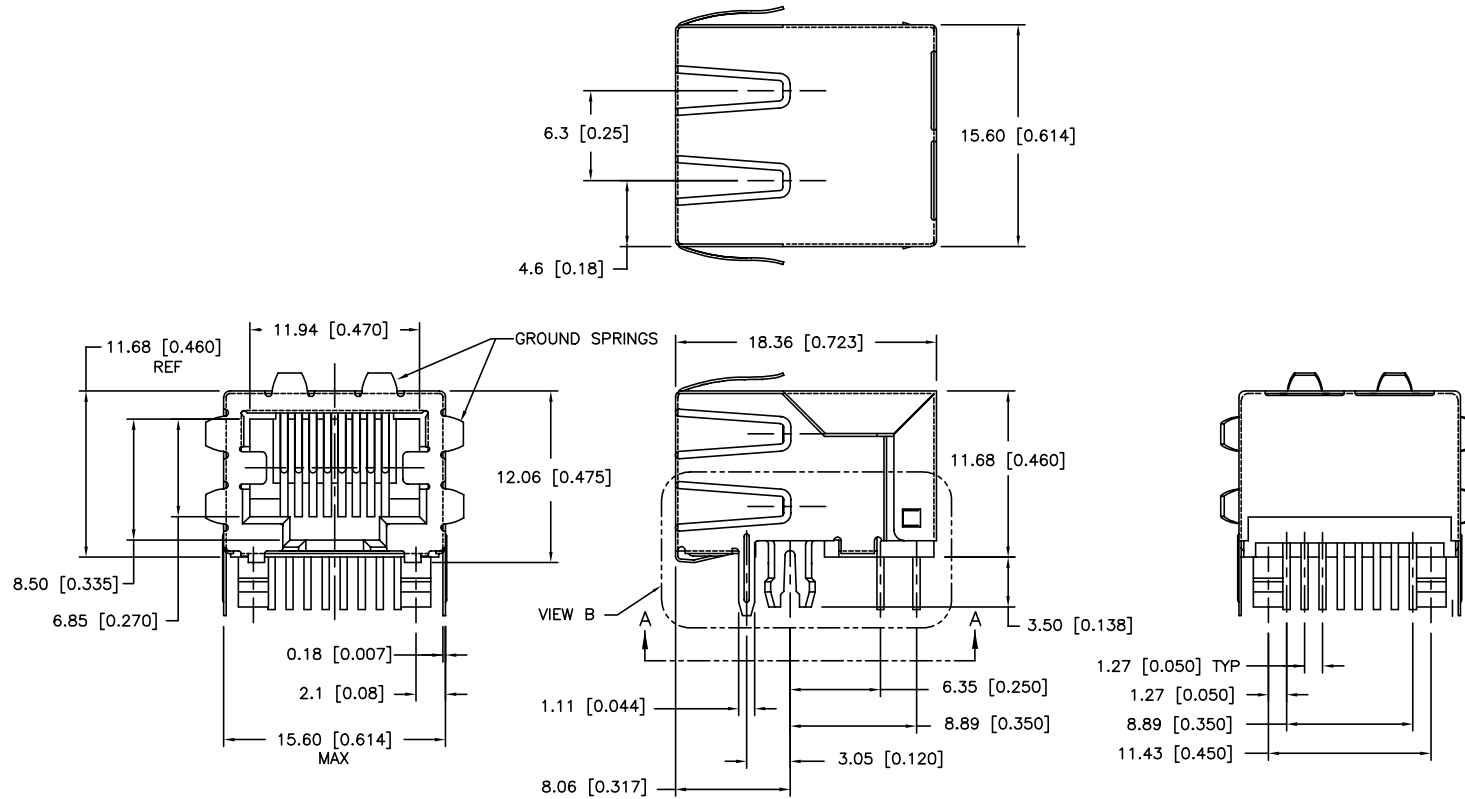
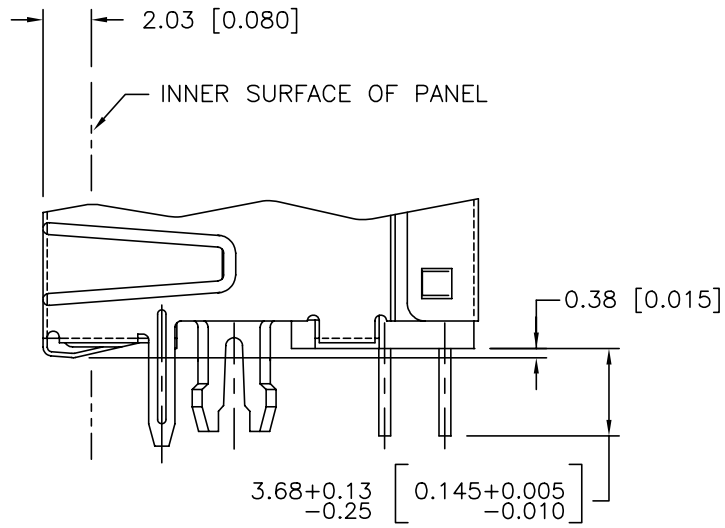


PRODUCT NO.
SEE TABLE

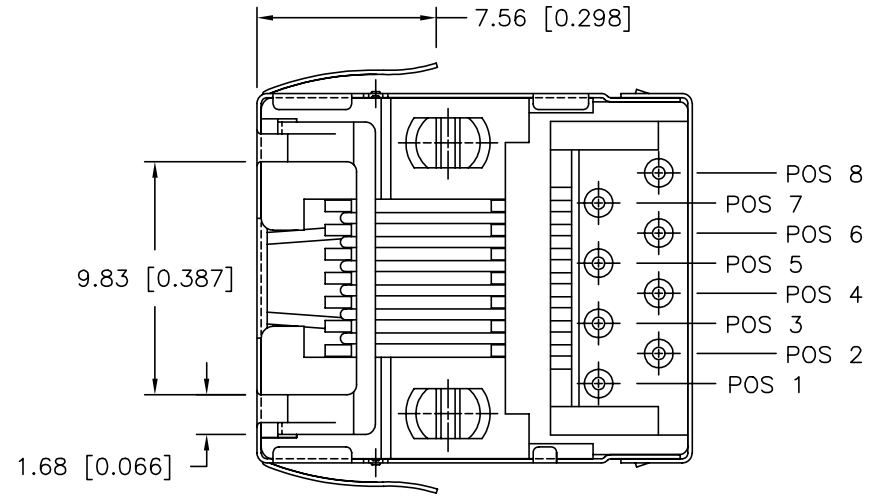


mat'l. code		surface		tolerance		projection		product family	
		ISO1302 ✓		ISO1101 ISO406				MOD JACK	
l trechn nodr		date		tolerances unless otherwise specified				title	
J	V00470 BKB	2/1/00	angle	0.X±0.3		mm		8 POS LOW PROFILE PCB III	
K	V01040 CSP	6/1/00	0°±2'	0.XX±0.15				SHIELDED MODJACK ASSEMBLY	
L	V03-1103 PJ	10/18/03		0.XXX±0.05		scale 2.0			
M	M05-0066 ERE	04/15/05	chr	G.HULL	5/28/96			dwg no	
N	ELX-N-010703 SH MMD	3/14/12	eng	Y.BELOPOLSKY	5/28/96			sheet 1 of 3	
			chr	TONY CHIEN	5/28/96			size	
			app	Y.BELOPOLSKY	5/28/96			A4	
sheet		revision		type		Product		Customer Drawing	
index	sheet	1	2	3					

PRODUCT NO.
SEE TABLE



VIEW B



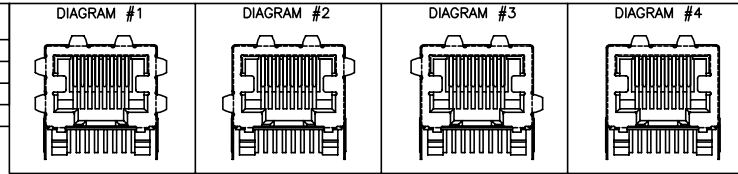
VIEW A-A

mat'l. code		surface <input checked="" type="checkbox"/> ISO1302		tolerance <input checked="" type="checkbox"/> ISO1101 <input checked="" type="checkbox"/> ISO406		projection		product family MOD JACK	
ltr ecn nodr		date		tolerances unless otherwise specified		mm		title	
J	V00470 BKB	2/1/00		angle $0.X \pm 0.3$		mm		8 POS LOW PROFILE PCB III	
K	V01040 CSP	6/1/00		0.XX ± 0.15		scale 2.0		SHIELDED MODJACK ASSEMBLY	
L	V03-1103 PJ	10/18/03		0' $\pm 2'$				dwg no	
M	M05-0066 ERE	04/15/05		dr G.HULL		5/28/96		sheet 2 of 3	
N	ELX-N-010703 SH MMD	3/14/12		eng Y.BELOPOLSKY		5/28/96		size	
				chr TONY CHIEN		5/28/96		72231	
				app Y.BELOPOLSKY		5/28/96		A4	
sheet index		revision sheet		type		Product Customer Drawing		FCI	

PRODUCT NO.
SEE TABLE

PRODUCT NO.
72231-X8YZLF

CODE Z	GROUND SPRING CONFIGURATIONS
1	DIAGRAM #1
2	DIAGRAM #2
3	DIAGRAM #3
4	DIAGRAM #4

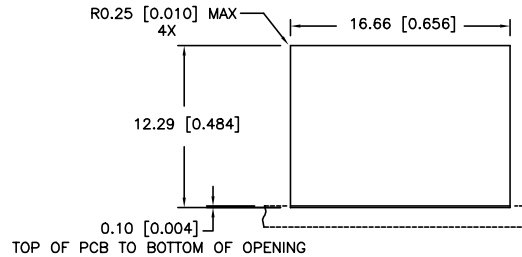


GROUND SPRING CONFIGURATIONS AS VIEWED FROM PORT SIDE

NOTE: PLEASE CHECK FOR AVAILABILITY, NOT ALL OPTIONS AVAILABLE.

OPTIONAL LOADING CODE Y	POSITIONS LOADED
4	3,4,5,6
6	2,3,4,5,6,7
8	ALL POS

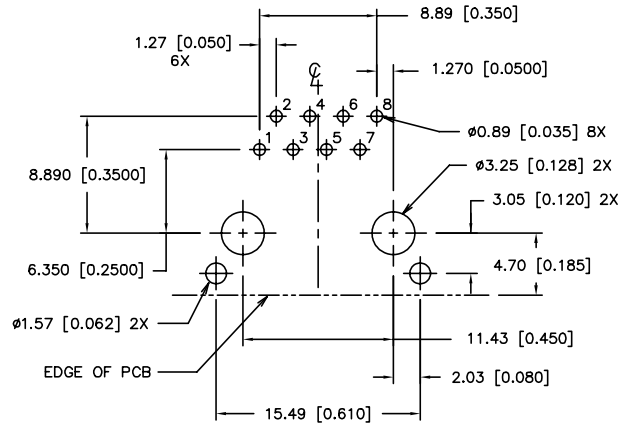
8 POSITION HOUSING



TOP OF PCB TO BOTTOM OF OPENING

RECOMMENDED PANEL OPENING

PLATING CODE X	PLATING ⑨
0	5u" Au + high performance lubricant
3	5u" Au + high performance lubricant
5	1.27um/50u" GXT OVER Ni



RECOMMENDED P.C.B. LAYOUT

AS VIEWED FROM TOP SIDE (COMPONENT SIDE)

NOTES:

1. RECOMMENDED P.C.B. THICKNESS 1.60 [0.063].
2. HOUSING MATL: HIGH TEMPERATURE THERMOPLASTIC MATERIAL, UL94V-0, COLOR BLACK.
3. CONTACTS MATL: PHOS BRONZE ALLOY ROUND WIRE. SEE TABLE FOR PLATING.
4. SHIELD MATL: PHOS BRONZE ALLOY, BRIGHT TIN PLATE OVER NICKEL UNDERPLATING PER BUS-15-002/M.
5. TWO LAYERS OF HIGH TEMP. INSULATING TAPE BETWEEN SHIELD AND SIGNAL CONTACTS.
- ⑥. LF SUFFIX AT THE END OF PART NUMBER IS LEAD FREE.
7. THE HOUSING WILL WITHSTAND EXPOSURE TO 260°C PEAK TEMPERATURE FOR 15 SECONDS IN A WAVE SOLDER APPLICATION WITH A 1.5mm MINIMUM THICK CIRCUIT BOARD. SEE APPLICATION NOTES/PROCEDURES IF THEY ARE AVAILABLE.
- ⑧. THIS PRODUCT MEETS EUROPEAN UNION DIRECTIVES AND OTHER COUNTRY REGULATION AS DESCRIBED IN GS-22-008.
- ⑨. PLATING OPTIONS: MAY BE EITHER GOLD OR GXT PLATED AT MANUFACTURER'S OPTION.

mat'l. code	surface	tolerance	projection	product family
IS01302	ISO1101 ISO406	tolerances unless otherwise specified	mm	MOD JACK
l trechn nodr	date	angle	scale	title
J V00470 BKB 2/1/00	6/1/00	0°±2'	2.0	8 POS LOW PROFILE PCB III SHIELDED MODJACK ASSEMBLY
K V01040 CSP	10/18/03			
L V03-1103 PJ	04/15/05			
M M05-0066 ERE	3/14/12			
N ELX-N-010703 SH MWO				
	eng G.HULL	5/28/96		dwg no
	eng Y.BELOPOLSKY	5/28/96		sheet 3 of 3
	chr TONY CHIEN	5/28/96		size
	app Y.BELOPOLSKY	5/28/96		A4
sheet	revision			type
index	sheet			Product Customer Drawing

