

**Technical specification:**

Rated voltage: IEC 61076-2-101	4pos 160 V
Current rating: IEC 61076-2-101	4 A at 40°C
Insulation resistance: IEC 60512	>=100 MΩ
Pollution degree: IEC 60664-1	3/2
Degree of protection: IEC 60529	IP 67, in mated condition
Temperatur range: IEC 60664-1	-30°C ... +80°C
Mating cycles: IEC 60512-9a	>=100

**Materials:**

Contact:	CuZn, CuBe
Contact plating:	Nickel, gold plated
Contact carrier:	PBT GF, UL 94
Sealing:	FPM
Coupling nut:	GD-Zn, nickel plated
Moulding body:	TPU, UL 94, grey

**Installation specification:**

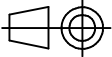
Recommended torque:	0,6 Nm
Conec installation tool:	Torque wrench: 36-000200 Insert across flats 13: 36-000220

**Contact assignment:**

1)	n.c.
2)	Profibus-A green
3)	n.c.
4)	Profibus-B red
Shielding coupling nut	

Part no:	Description:	Length L:	Cable:
43-11605	SAL - 12B - RK4.1 - 2 / G7	2m	TPE, UL, violet, 2xAWG24, suitable for drag chain Cable: 781-G70200
43-11606	SAL - 12B - RK4.1 - 3 / G7	3m	
43-11607	SAL - 12B - RK4.1 - 5 / G7	5m	
43-11608	SAL - 12B - RK4.1 - 10 / G7	10m	
43-xxxxx	SAL - 12B - RK4.1 - ... / G7	x	

D see data sheet cable

DO NOT ALTER CAD DRAWING BY HAND Directive 2002/95/EC RoHS compliant	Index: a 01.03.11 VF Ä3767 Coupling nut modified, spanner flats added, data sheet modified	 dim. in mm	title: <b>Female connector M12x1 axial, Profibus DP</b>		
	tolerance of cable: L ≤ 4m: L + 40mm L > 4m: L + 1%		date	name	dwg no:  <b>43K1A612</b>
	THIS DRAWING MAY NOT BE COPIED OR REPRODUCED IN ANY WAY, AND MAY NOT BE PASSED ON TO A THIRD PARTY WITHOUT WRITTEN PERMISSION. OWNERSHIP AND COPYRIGHT OF CONEC GmbH	drawn	14.02.08	Fromm	
		appd.	27.02.08	W. Schmidt	
