

OSI LaserDiode

905nm Pulsed Laser Diode

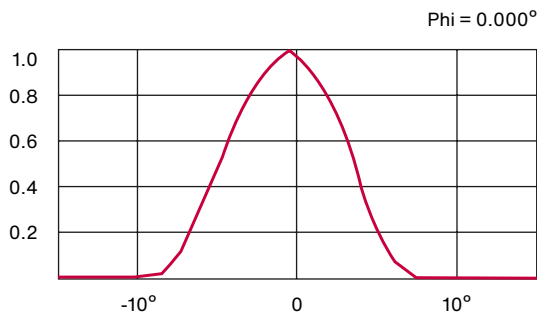
Single Mode Pulsed Instrument Laser Modules

The 905nm pulsed laser offers a far-field beam pattern with equivalent divergence values for both the Fast (Perpendicular) and the Slow (Parallel) Axes of emission. The adjusted Far Field pattern offers higher coupling efficiency into standard spherical lens systems. The laser/lens is hermetically sealed in a 9mm package that offers robust environmental survival capability for demanding applications such as field-deployed range finders. This product is RoHS compliant.

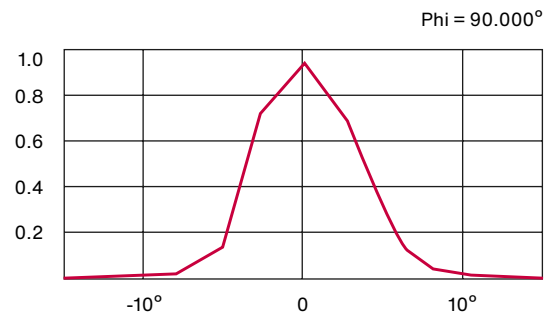
Typical Electro-Optical Specifications at $T_A = 25\text{ }^\circ\text{C}$

Parameter	Symbol	Min	Typ	Max	Unit
Wavelength	λ	893	903	913	nm
Spectral Width FWHM	$\Delta\lambda$		8		nm
Temp Coeff. of Wavelength	$\Delta\lambda / \Delta T$		0.24		nm / $^\circ\text{C}$
Peak Power	P_o	75	87		W
Pulse Width	PW		100		nS
Duty Factor	DF		0.1		%
Drive Current	-		30		A
Beam Divergence (FWHM)	-		8 x 8		Deg.
Storage Temperature	T_s	-40		+85	$^\circ\text{C}$
Operating Temperature	T_o		25		$^\circ\text{C}$

Amplitude Normalized (Relative Units)

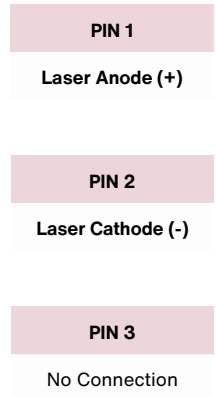
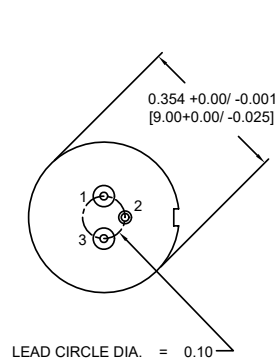
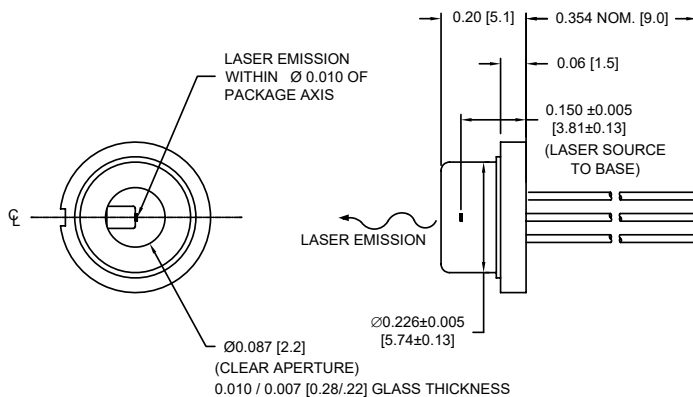


Amplitude Normalized (Relative Units)



Mechanical Specifications

Units are in inches (mm)



Warranty

Please refer to your product purchase agreement for complete details or check with your OSI LaserDiode sales representative.

Safety

- Caution: Laser light emitted from any diode laser may be harmful to the human eye.
- Avoid looking directly into the diode laser aperture when the device is in operation.

Class 3B laser

ESD Caution

Handle diode lasers with extreme care to prevent electrostatic discharge. Follow ESD precautions when handling devices.

Legal Disclaimer

Information in this data sheet is believed to be correct and reliable. However, no responsibility is assumed for possible inaccuracies or omission. Specifications are subject to change without notice.

