

## HDSP-553x

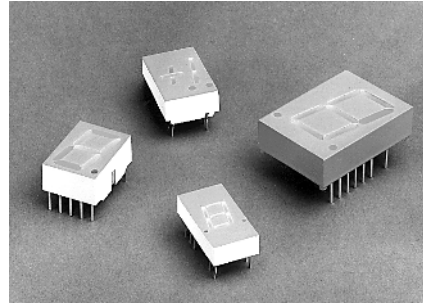
Seven Segment Displays for High Light Ambient Conditions



## Data Sheet

**High Efficiency Red: HDSP-553x/ -3900 Series**

**Yellow: HDSP-4030/ -4130/ -5730/ -4200 Series**



### Description

The HDSP-553x/-3900 and HDSP-4030/-4130/-5730/-4200 are 7.6 mm, 10.9 mm/14.2 mm/20.3 mm high efficiency red and yellow displays designed for use in high light ambient condition. The four sizes of displays allow for viewing distances at 3, 6, 7, and 10 meters. These seven segment displays utilize large junction high efficiency LED chips made from GaAsP on a transparent GaP substrate. Due to the large junction area, these displays can be driven at high peak current levels needed for high ambient conditions or many character multiplexed operation.

These displays have industry standard packages, and pin configurations and  $\pm 1$  overflow display are available in all four sizes. These numeric displays are ideal for applications such as Automotive and Avionic Instrumentation, Point of Sale Terminals, and Gas Pump.

### Features

- **High light output**  
Typical intensities of up to 7.0 mcd/ seg at 100 mA pk 1 of 5 duty factor
- **Capable of high current drive**  
Excellent for long digit string multiplexing
- **Four character sizes**  
7.6 mm, 10.9 mm, 14.2 mm, and 20.3 mm
- **Choice of two colors**  
High Efficiency Red  
Yellow
- **Excellent character appearance**  
Evenly lighted segments  
Wide viewing angle  
Gray body for optimum contrast
- **Categorized for luminous intensity; Yellow categorized for color**  
Use of like categories yields a uniform display
- **IC compatible**
- **Mechanically rugged**

**Devices**

Part No. HDSP-	Color	Description	Package Drawing
4030	Yellow	7.6 mm Common Anode Left Hand Decimal	A
4031		7.6 mm Common Anode Right Hand Decimal	B
4033		7.6 mm Common Cathode Right Hand Decimal	C
4036		7.6 mm Universal Overflow $\pm 1$ Right Hand Decimal	D
4130	Yellow	10.9 mm Common Anode Left Hand Decimal	E
4131		10.9 mm Common Anode Right Hand Decimal	F
4133		10.9 mm Common Cathode Right Hand Decimal	G
4136		10.9 mm Universal Overflow $\pm 1$ Right Hand Decimal	H
5537	High Efficiency Red	14.2 mm Overflow $\pm 1$ Common Anode	K
5538		14.1 mm Overflow $\pm 1$ Common Cathode	L
5731	Yellow	14.2 mm Common Anode Right Hand Decimal	I
5733		14.2 mm Common Cathode Right Hand Decimal	J
5737		14.2 mm Overflow $\pm 1$ Common Anode	K
5738		14.1 mm Overflow $\pm 1$ Common Cathode	L
3900	High Efficiency Red	20.3 mm Common Left Hand Decimal	M
3901		20.3 mm Common Anode Right Hand Decimal	N
3903		20.3 mm Common Cathode Right Hand Decimal	O
3905		20.3 mm Common Cathode Left Hand Decimal	P
3906		20.3 mm Universal Overflow $\pm 1$ Right Hand Decimal	Q
4200	Yellow	20.3 mm Common Left Hand Decimal	M
4201		20.3 mm Common Anode Right Hand Decimal	N
4203		20.3 mm Common Cathode Right Hand Decimal	O
4205		20.3 mm Common Cathode Left Hand Decimal	P
4206		20.3 mm Universal Overflow $\pm 1$ Right Hand Decimal	Q

Note: Universal pinout brings the anode and cathode of each segment's LED out to separate pins. See internal diagrams D and H.

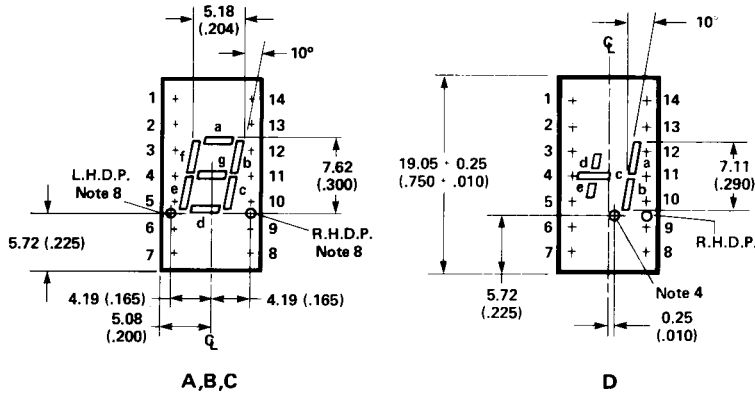
**Absolute Maximum Ratings (All Products)**

Average Power per Segment or DP ( $T_A = 25^\circ\text{C}$ ) .....	105 mW
Peak Forward Current per Segment or DP ( $T_A = 25^\circ\text{C}$ ) .....	135 mA (Pulse Width = 0.16 ms)
DC Forward Current per Segment <sup>[2]</sup> or DP ( $T_A = 25^\circ\text{C}$ ) .....	40 mA
Operating Temperature Range .....	-40°C to +85°C
Storage Temperature Range .....	-40°C to +85°C
Reverse Voltage per Segment or DP .....	5.0 V
Wavesolder Temperature (1.59 mm [1/16 inch] below body) .....	250°C for 3 sec

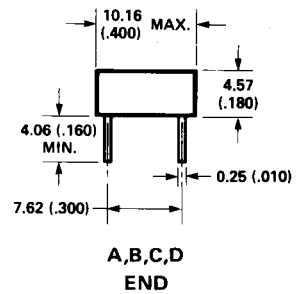
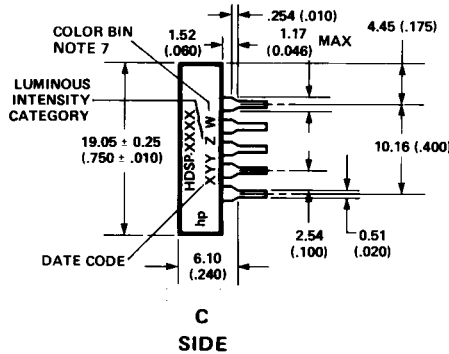
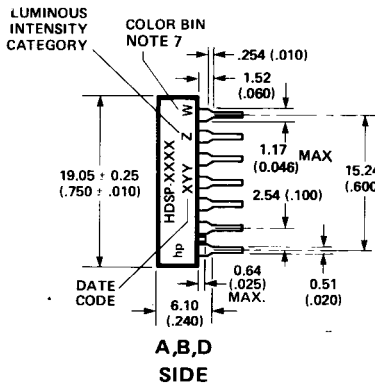
Notes:

1. See Figure 1 to establish pulsed operating conditions
2. Derate maximum DC current above  $T_A = 25^\circ\text{C}$  at 0.50 mA/°C per segment, see Figure 2.

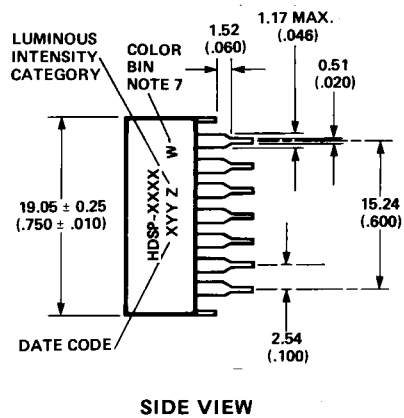
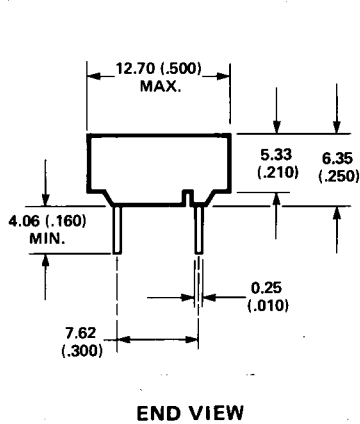
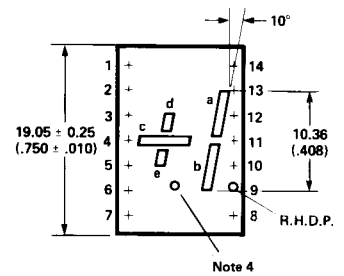
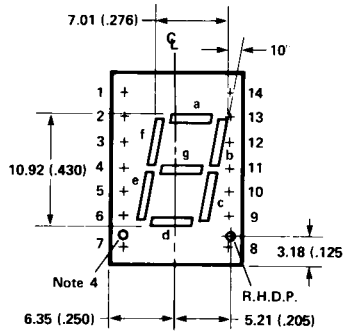
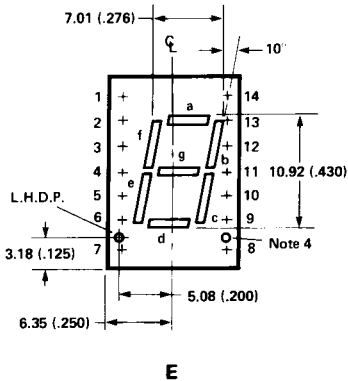
**Package Dimensions (HDSP-4030 Series)**



Pin	FUNCTION			
	A -4030	B -4031	C -4033	D -4036
1	CATHODE-a	CATHODE-a	CATHODE <sup>[6]</sup>	ANODE-d
2	CATHODE-f	CATHODE-f	ANODE-f	NO PIN
3	ANODE <sup>[3]</sup>	ANODE <sup>[3]</sup>	ANODE-g	CATHODE-d
4	NO PIN	NO PIN	ANODE-e	CATHODE-c
5	NO PIN	NO PIN	ANODE-d	CATHODE-e
6	CATHODE-dp	NO CONN. <sup>[5]</sup>	CATHODE <sup>[6]</sup>	ANODE-e
7	CATHODE-e	CATHODE-e	ANODE-dp	ANODE-c
8	CATHODE-d	CATHODE-d	ANODE-c	ANODE-dp
9	NO CONN. <sup>[5]</sup>	CATHODE-dp	ANODE-b	NO PIN
10	CATHODE-c	CATHODE-c	ANODE-a	CATHODE-dp
11	CATHODE-g	CATHODE-g		CATHODE-b
12	NO PIN	NO PIN		CATHODE-a
13	CATHODE-b	CATHODE-b		ANODE-a
14	ANODE <sup>[3]</sup>	ANODE <sup>[3]</sup>		ANODE-b

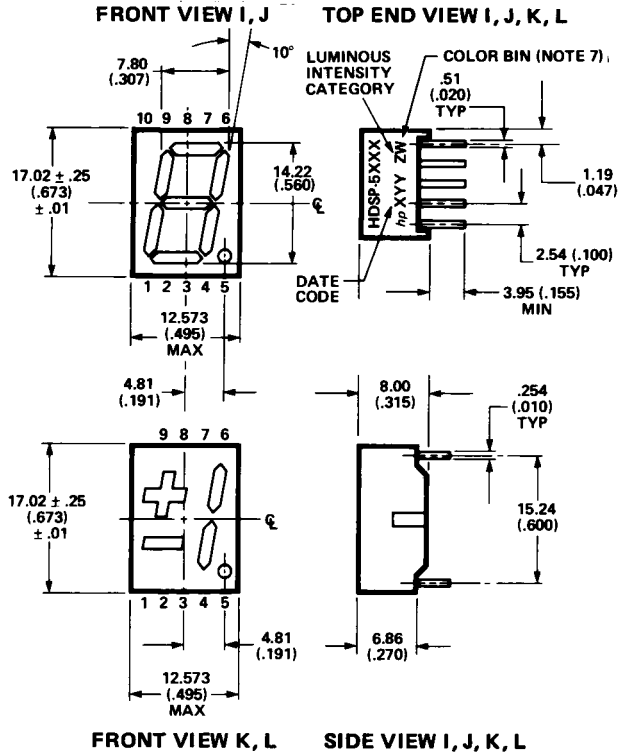


**Package Dimensions (HDSP-4130 Series)**



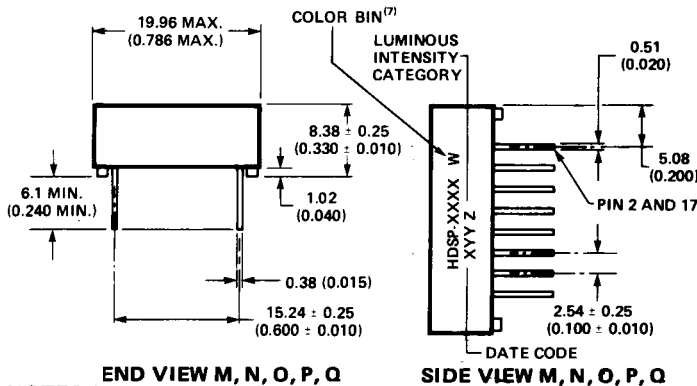
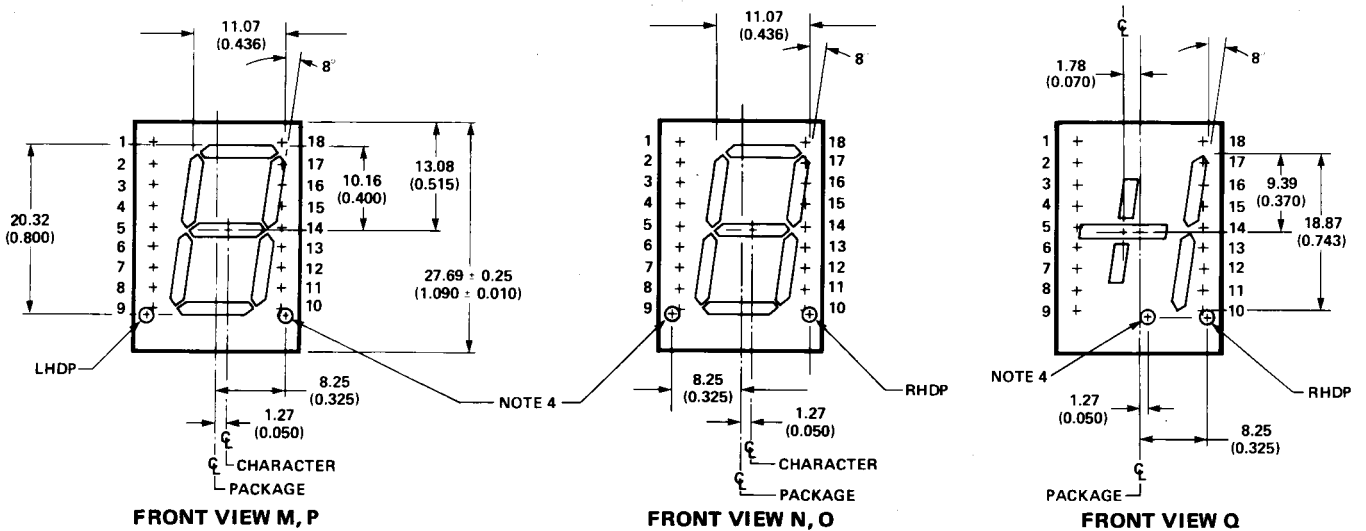
Pin	FUNCTION			
	E -4130	F -4131	G -4133	H -4136
1	CATHODE-a	CATHODE-a	ANODE-a	CATHODE-d
2	CATHODE-f	CATHODE-f	ANODE-f	ANODE-d
3	ANODE <sup>[3]</sup>	ANODE <sup>[3]</sup>	CATHODE <sup>[6]</sup>	NO PIN
4	NO PIN	NO PIN	NO PIN	CATHODE-c
5	NO PIN	NO PIN	NO PIN	CATHODE-e
6	CATHODE-dp	NO CONN. <sup>[5]</sup>	NO CONN. <sup>[5]</sup>	ANODE-e
7	CATHODE-e	CATHODE-e	ANODE-e	ANODE-c
8	CATHODE-d	CATHODE-d	ANODE-d	ANODE-dp
9	NO CONN. <sup>[5]</sup>	CATHODE-dp	ANODE-dp	CATHODE-dp
10	CATHODE-c	CATHODE-c	ANODE-c	CATHODE-b
11	CATHODE-g	CATHODE-g	ANODE-g	CATHODE-a
12	NO PIN	NO PIN	NO PIN	NO PIN
13	CATHODE-b	CATHODE-b	ANODE-b	ANODE-a
14	ANODE <sup>[3]</sup>	ANODE <sup>[3]</sup>	CATHODE <sup>[6]</sup>	ANODE-b

Package Dimensions (-553x/ -5730 Series)



Pin	FUNCTION	
	K -5537	L -5538
1	CATHODE-c	ANODE-c
2	ANODE-c,d	CATHODE-c,d
3	CATHODE-b	ANODE-b
4	ANODE-a,b, DP	CATHODE-a,b DP
5	CATHODE DP	ANODE DP
6	CATHODE-a	ANODE-a
7	ANODE-a,b, DP	CATHODE-a,b, DP
8	ANODE-c,d	CATHODE-c,d
9	CATHODE-d	ANODE-d
10	NO PIN <sup>(5)</sup>	NO PIN <sup>(5)</sup>

Package Dimensions (-3900/ -4200 Series)

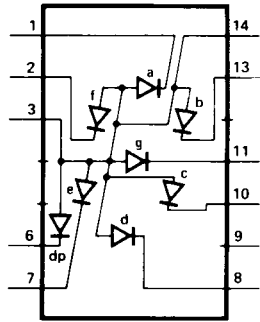


Pin	Function				
	M 3900/4200	N 3901/4201	O 3903/4203	P 3905/4205	Q 3906/4206
1	NO PIN	NO PIN	NO PIN	NO PIN	NO PIN
2	CATHODE a	ANODE a	ANODE a	ANODE a	CATHODE a
3	CATHODE f	CATHODE f	ANODE f	ANODE f	ANODE d
4	ANODE <sup>(2)</sup>	ANODE <sup>(3)</sup>	CATHODE <sup>(6)</sup>	CATHODE <sup>(6)</sup>	CATHODE d
5	CATHODE e	ANODE e	ANODE e	ANODE e	CATHODE c
6	ANODE <sup>(3)</sup>	ANODE <sup>(3)</sup>	CATHODE <sup>(6)</sup>	CATHODE <sup>(6)</sup>	CATHODE e
7	CATHODE dp	NO. CONNec.	NO. CONNec.	ANODE dp	ANODE e
8	NO PIN	NO PIN	NO PIN	NO PIN	CATHODE dp
9	NO PIN	NO PIN	NO PIN	NO PIN	NO PIN
10	NO PIN	CATHODE dp	ANODE dp	NO PIN	ANODE dp
11	CATHODE d	CATHODE d	ANODE d	ANODE d	CATHODE dp
12	ANODE <sup>(3)</sup>	ANODE <sup>(3)</sup>	CATHODE <sup>(6)</sup>	CATHODE <sup>(6)</sup>	CATHODE b
13	CATHODE c	CATHODE c	ANODE c	ANODE c	ANODE b
14	CATHODE g	CATHODE g	ANODE g	ANODE g	ANODE c
15	CATHODE b	CATHODE b	ANODE b	ANODE b	ANODE a
16	NO PIN	NO PIN	NO PIN	NO PIN	NO PIN
17	ANODE <sup>(3)</sup>	ANODE <sup>(3)</sup>	CATHODE <sup>(6)</sup>	CATHODE <sup>(6)</sup>	CATHODE a
18	NO PIN	NO PIN	NO PIN	NO PIN	NO PIN

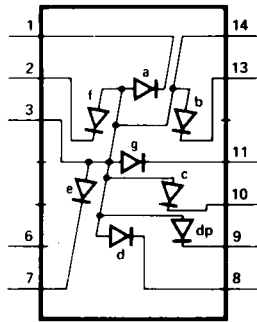
NOTES:

- Dimensions in millimeters and (inches).
- All untoleranced dimensions are for reference only.
- Redundant anodes.
- Unused dp position.
- See Internal Circuit Diagram.
- Redundant Cathodes.
- For HDSP-4030/-4130/-5731/-4200 Series product only.
- See part number table for LHDP and RHDP designation.

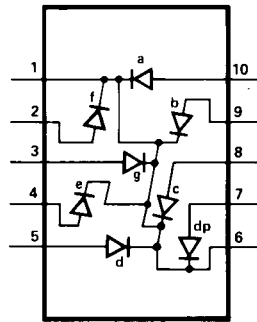
Internal Circuit Diagram (HDSP-4030 Series)



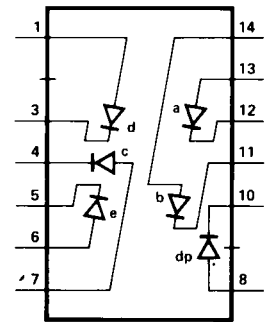
A



B

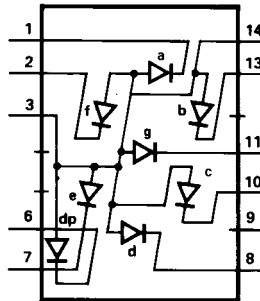


C

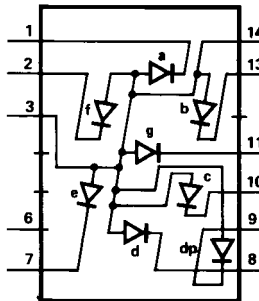


D

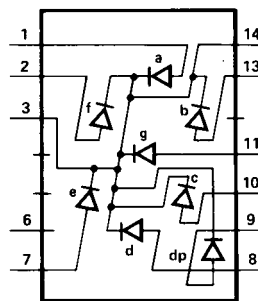
Internal Circuit Diagram (HDSP-4130 Series)



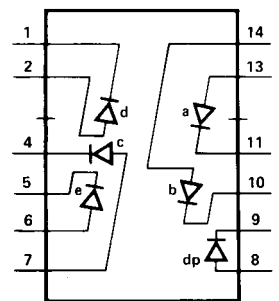
E



F

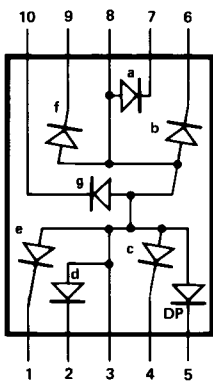


G

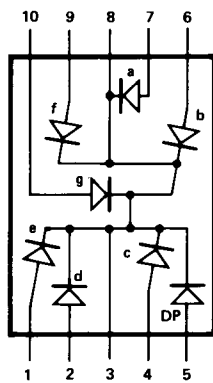


H

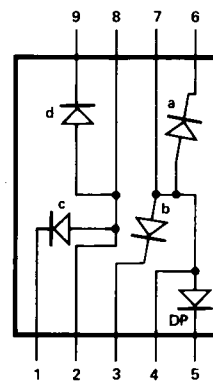
Internal Circuit Diagram (HDSP-553x/ -5730 Series)



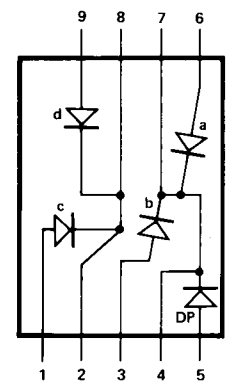
I



J

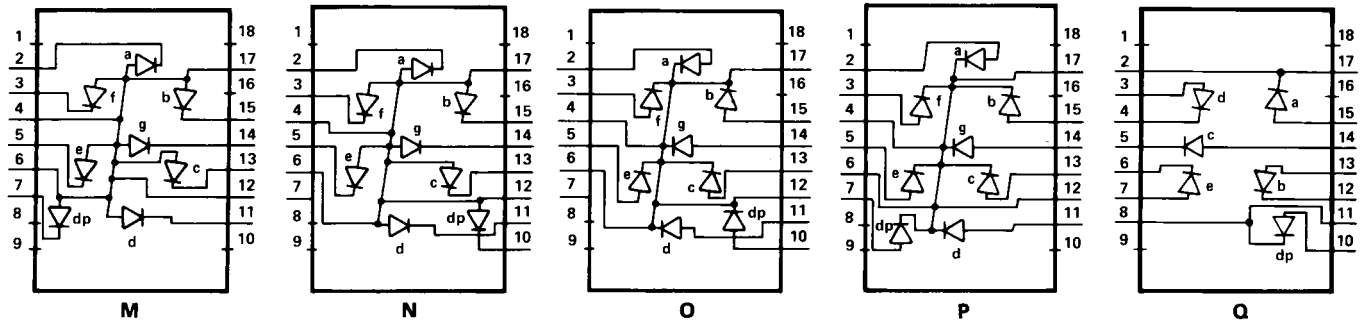


K



L

**Internal Circuit Diagram (HDSP-3900/ -4200 Series)**



**Electrical/ Optical Characteristics at  $T_A = 25^\circ\text{C}$**

Parameter	Sym.	Device HDSP-	Min.	Typ.	Max.	Units	Test Condition
Luminous Intensity/ Segment <sup>[9,10]</sup> (Digit Average)	$I_V$	553x 3900	2200 2200	7000 7000		$\infty$ cd	100 mA Pk 1 of 5 Duty Factor
		553x 3900		4800 4800		$\infty$ cd	20 mA DC
		4030 4130 5730 4200	1500 1500 2200 2200	4500 5000 7000 7000		$\infty$ cd	100 mA Pk; 1 of 5 Duty Factor
		4030 4130 5730 4200		2200 2500 3400 3400		$\infty$ cd	20 mA DC
Peak Wavelength	$\lambda_{PEAK}$	553x/3900		635		nm	
		4030/4130/ 5730/4200		583		nm	
Dominant Wavelength <sup>[11,12]</sup> (Digit Average)	$\lambda_d$	553x/3900		626		nm	
		4030/4130/ 5730/4200	581.5	586	592.5	nm	
Forward Voltage/Seg or D.P.	$V_F$	All Devices		2.6	3.5	V	$I_F = 100 \text{ mA}$
Reverse Current/Seg or D.P.	$I_R$	All Devices			100	$\infty$ A	$V_R = 3.0 \text{ V}$
Temp. Coeff. of $V_F$ /Seg or D.P.	$\Delta V_F / ^\circ\text{C}$	All Devices		-1.1		mV/ $^\circ\text{C}$	$I_F = 100 \text{ mA}$
Thermal Resistance LED Junction-to-Pin	$R\theta_{J-PIN}$	4030/4130		282		$^\circ\text{C}/\text{W}/\text{Seg}$	
		553x/5730		345		$^\circ\text{C}/\text{W}/\text{Seg}$	
		3900/4200		375		$^\circ\text{C}/\text{W}/\text{Seg}$	

Notes:

9. Case temperature of the device immediately prior to the intensity measurement is 25°C.
10. The digits are categorized for luminous intensity with the intensity category designated by a letter on the side of the package.
11. The dominant wavelength,  $\lambda_d$ , is derived from the CIE chromaticity diagram and is that single wavelength which defines the color of the device.
12. The yellow displays are categorized as to dominant wavelength with the category designated by a number adjacent to the intensity category letter.

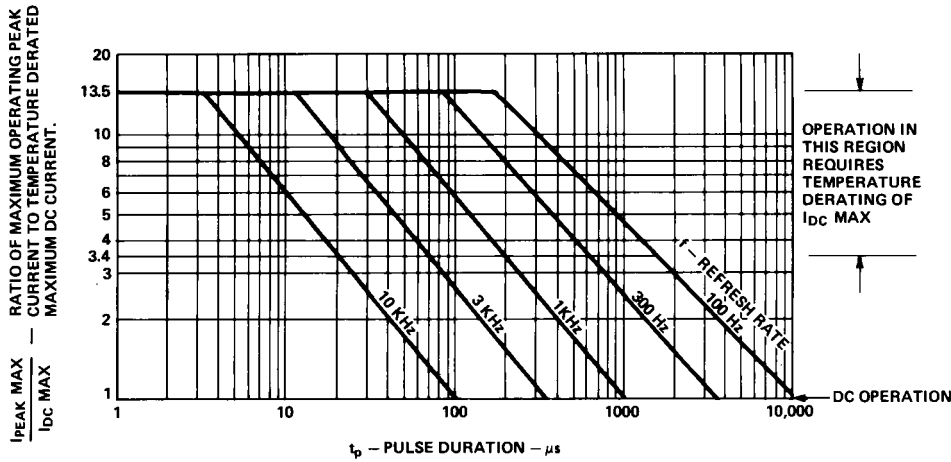


Figure 1. Maximum Allowed Peak Current vs. Pulse Duration.

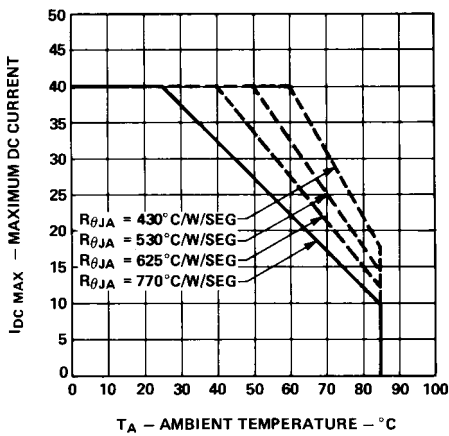


Figure 2. Maximum Allowable DC Current per Segment vs. Ambient Temperature.

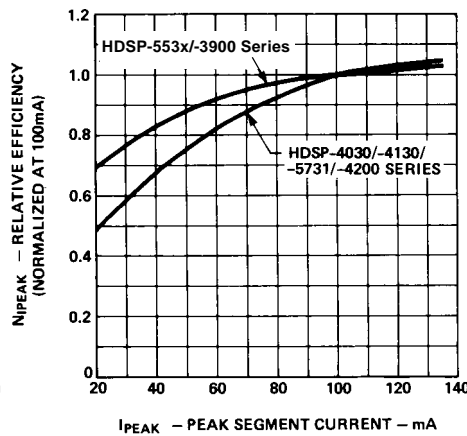


Figure 3. Relative Efficiency (Luminous Intensity per Unit Current) vs. Peak Segment Current.

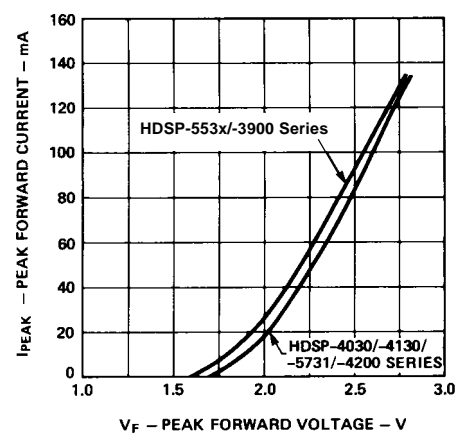


Figure 4. Peak Forward Segment Current vs. Peak Forward Voltage.

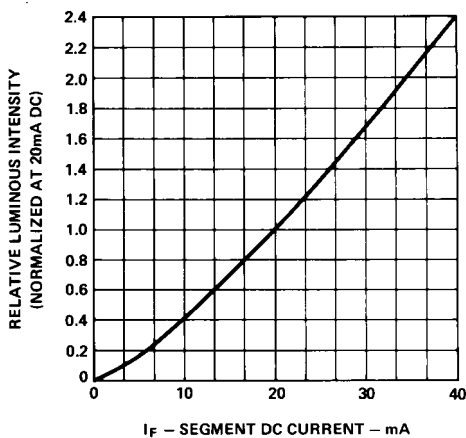


Figure 5. Relative Luminous Intensity vs. DC Forward Current.

### Electrical

These display devices are composed of eight light emitting diodes, with light from each LED optically stretched to form individual segments and a decimal point.

The devices utilize LED chips which are made from GaAsP on a transparent GaP substrate.

These display devices are designed for strobed operation. The typical forward voltage values, scaled from Figure 4, should be used for calculating the current limiting resistor value and typical power dissipation.

Expected maximum  $V_F$  values, for the purpose of driver circuit design and maximum power dissipation, may be calculated using the following  $V_F$  MAX models:

$$V_F \text{ MAX} = 2.15 \text{ V} + I_{\text{PEAK}} (13.5 \Omega)$$

For:  $I_F \geq 30 \text{ mA}$

$$V_F \text{ MAX} = 1.9 \text{ V} + I_{\text{DC}} (21.8 \Omega)$$

For:  $10 \text{ mA} \leq I_F \leq 30 \text{ mA}$

Temperature derated strobed operating conditions are obtained from Figures 1 and 2. Figure 1 relates pulse duration ( $t_p$ ), refresh rate ( $f$ ), and the ratio of maximum peak current to maximum

dc current ( $I_{PEAK\ MAX}/I_{DC\ MAX}$ ). Figure 2 presents the maximum allowed dc current vs. ambient temperature. Figure 1 is based on the principle that the peak junction temperature for pulsed operation at a specified peak current, pulse duration and refresh rate should be the same as the junction temperature at maximum DC operation. Refresh rates of 1 kHz or faster minimize the pulsed junction heating effect of the device resulting in the maximum possible time average luminous intensity.

The time average luminous intensity can be calculated knowing the average forward current and relative efficiency characteristic,  $\eta_{I\ PEAK}$ , of Figure 3. Time average luminous intensity for a device case temperature of 25°C,  $I_V$  (25°C), is calculated as follows:

$$I_V(25^\circ\text{C}) = \left[ \frac{I_{AVG}}{20\ \text{mA}} \right] [\eta_{I\ PEAK}] [I_{V\ \text{DATA SHEET}}]$$

Example: For HDSP-4030 series

$\eta_{I\ PEAK} = 1.00$  at  $I_{PEAK} = 100\ \text{mA}$ .  
For  $DF = 1/5$ :

$$I_V(25^\circ) = \left[ \frac{20\ \text{mA}}{20\ \text{mA}} \right] [1.00][4.5\ \text{mcd}]$$

$$= 4.5\ \text{mcd/segment}$$

The time average luminous intensity may be adjusted for operating junction temperature by the following exponential equation:

$$I_V(T_J) = I_V(25^\circ\text{C}) e^{k(T_J + 25^\circ\text{C})}$$

where  $T_J = T_A + P_D \cdot R_{\theta J-A}$

Device	K
-553x/-3900	-0.0131/°C
-4030/-4130/ -5730/-4200	-0.0112/°C

### Mechanical

These devices are constructed utilizing a lead frame in a standard DIP package. The LED dice are attached directly to the lead frame. Therefore, the cathode leads are the direct thermal and mechanical stress paths to the LED dice. The absolute maximum allowed junction temperature,  $T_J\ MAX$ , is 105°C. The maximum power ratings have been established so that the worst case  $V_F$  device does not exceed this limit.

Worst case thermal resistance pin-to-ambient is 400°C/W/Seg when these devices are soldered into minimum trace width PC boards. When installed in a PC board that provides  $R_{\theta\ \text{PIN-A}}$  less than 400°C/W/Seg these displays may be operated at higher average currents as shown in Figure 2.

### Optical

The radiation pattern for these devices is approximately Lambertian. The luminous sterance may be calculated using one of the two following formulas.

$$L_V(\text{cd/m}^2) = \frac{I_V(\text{cd})}{A(\text{m}^2)}$$

$$L_V(\text{footlamberts}) = \frac{\pi I_V(\text{cd})}{A(\text{ft}^2)}$$

Device	Area/Seg. mm <sup>2</sup>	Area/Seg. in <sup>2</sup>
-4030	2.5	0.0039
-4130	4.4	0.0068
-553x/-5730	8.8	0.0137
-3900/-4200	14.9	0.0231

### Contrast Enhancement

The objective of contrast enhancement is to optimize display readability. Adequate contrast enhancement can be achieved in indoor applications through luminous contrast techniques. Luminous contrast is the observed brightness of the illuminated segment compared to the brightness of the surround. Appropriate wavelength filters maximize luminous contrast by reducing the amount of light reflected from the area around the display while transmitting most of the light emitted by the segment. These filters are described further in Application Note 1015.

Chrominance contrast can further improve display readability. Chrominance contrast refers to the color difference between the illuminated segment and the surrounding area. These displays are assembled with a gray package and untinted encapsulating epoxy in the segments to improve chrominance contrast of the ON segments. Additional contrast enhancement in bright ambients may be achieved by using a neutral density gray filter such as Panelgraphic Chromafilter Gray 10, or 3M Light Control Film (louvered film).



For product information and a complete list of distributors, please go to our website: [www.avagotech.com](http://www.avagotech.com)

Avago, Avago Technologies, and the A logo are trademarks of Avago Technologies Limited in the United States and other countries.  
Data subject to change. Copyright © 2006 Avago Technologies Limited. All rights reserved.  
5988-1734EN June 23, 2006

