



Single Port RJ45 Connector

AR11-4647



- 100/1000 Base T Gigabit
- Designed to support applications such as LAN, ADSL Modems LOM, Ethernet, Hub and Switches
- Compliant with IEEE 802.3 specification
- Industrial Operating Temp: 0°C +70°C

Electrical Specifications @ 25°C

OCL(μH Min) @100KHz, 0.1V With 8mA DC Bias	Turns Ratio (±3%)		DCR (Ω) Max	Insertion Loss (dB) Max	Return Loss (dB Min)		
	TX	RX			1-30MHz	30-60MHz	60-100MHz
350	1:1	1:1	1.2	-1.0	-18	-15	-12

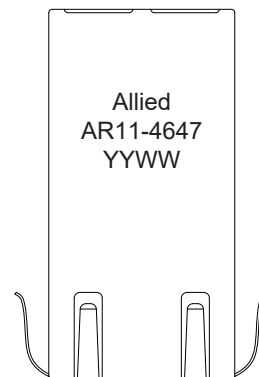
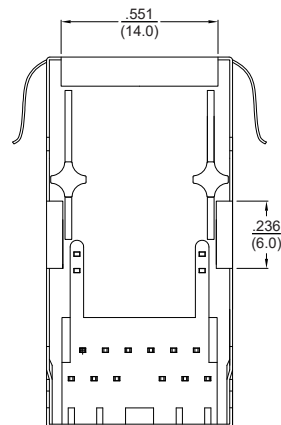
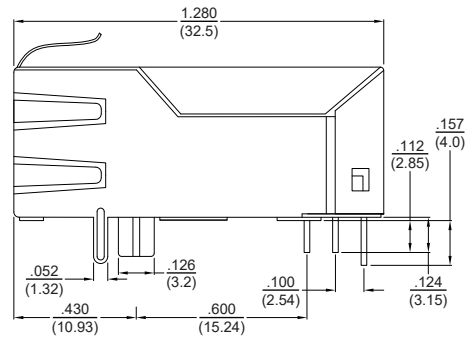
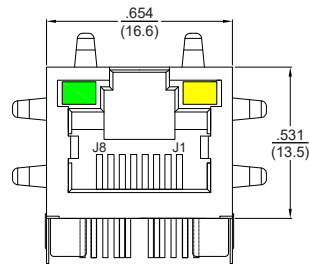
Electrical Specifications @ 25°C

Cross Talk (dB Min)			Common Mode Rejection (dB Min)		Hi-Pot Test
1-30MHz	30-60MHz	60-100MHz	1-50MHz	50-150MHz	
-40	-35	-30	-30	-20	1500Vrms

All specifications subject to change without notice.

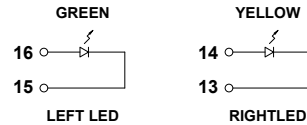
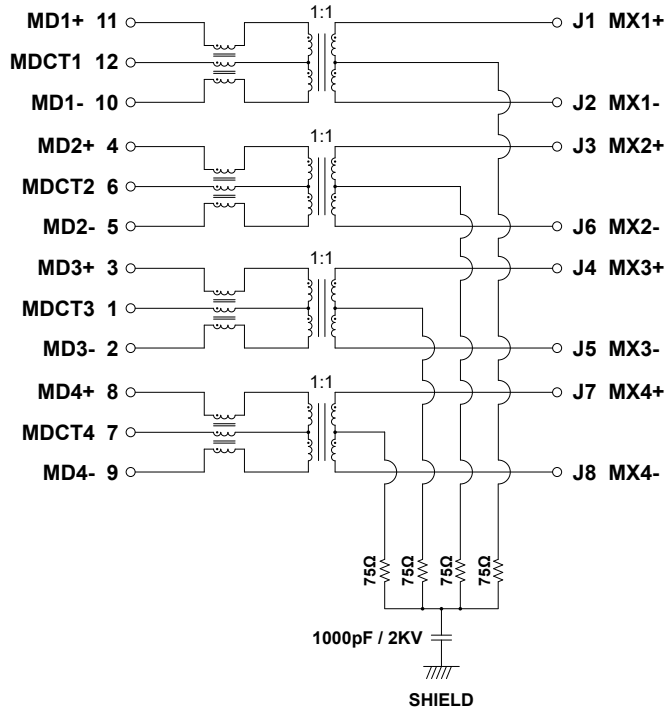
MECHANICAL

Dimensions: $\frac{\text{inch}}{\text{(mm)}}$



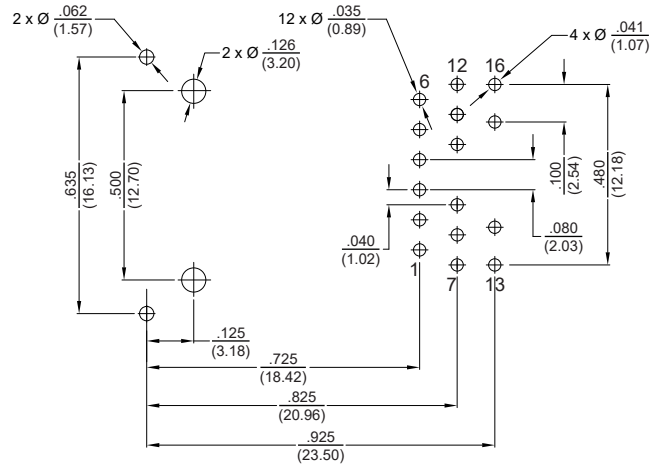


SCHEMATIC



Emitting Color	Ap(nm)	VF@IF=20mA	IR@VR=5V
YELLOW	585	1.8~2.4V	10µA Max
GREEN	565	1.8~2.4V	10µA Max

PCB LAYOUT



NOTES

- Connector Materials:
 Housing: Thermosplastic UL94V-0
 Contact/Shield: Copper Alloy
 Shield Plating: Nickel
 Contact Plating: Gold 6µ" Min in contact area
- Wave Peak Temp: 260°C Max, 5Sec.