

1

2

3

4

5

6

7

A

B

C

D

E


F

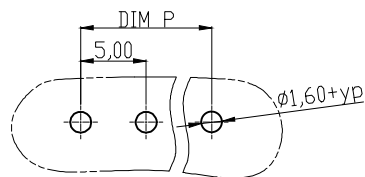
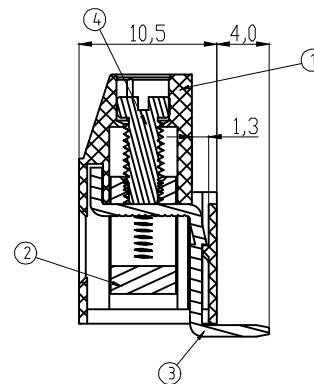
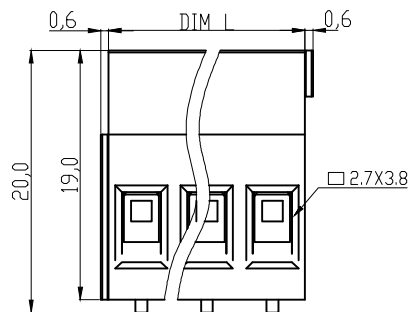
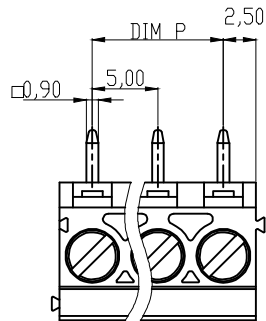
G

H

Material

- ① Terminal housing: Thermoplastic (UL94V-0) , GREEN
- ② Clamp: Brass, Ni plated
- ③ Wire guard solder pin: Copper, Tin plated
- ④ Terminal screw: Steel, Zinc plating "-" slot type

Electrical cULus  
 Voltage rating: 300VAC  
 Current rating: 20A  
 Wire range:  
 Solid wire(AWG): 12-30  
 Stranded wire(AWG): 12-30  
 Torque(Lb-In): 3.5  
 Screw: M3  
 Wire strip length: 6-7mm  
 Withstanding Voltage: 1.6KV  
 Operating temperature: -40°C to +115°C  
 Soldering temperature: 250°C±10°C/5 Sec  
 Safety Approval: 



DIMENSION

L	Nx5.0
P	(N-1)x5.0

N=Number of poles


Poles	Tolerance
DIM L&DIM P	
2p-8p	±0.15
9p-14p	±0.25
15p-20p	±0.35
21p-24p	±0.40

RECOMMENDER PCB LAYOUT

**RoHS compliant**  
 Unit: mm



File No.: E349947

Scale	1:1					Date	Name	Customer-No.
TOLERANCE						Drawn	19.04.2010	Alex
X.	±0.50					Approved	18.04.2016	Joanna
X.X	±0.30							
X.XX	±0.10							
DIM	TOL	① Add UL	18.04.2016	Joanna		Drawing-No.		ASSMANN WSW-No. <b>A-TB500-VJxxV</b>
X.°	±1°	② Drawn	19.04.2010	Alex		<b>ASS 4110 CO</b>		
Angle	TOL	Id.	Modification	Date		Name	Replace	

1

2

3

4

5

6

7

A

B

C

D

E

F

G

H