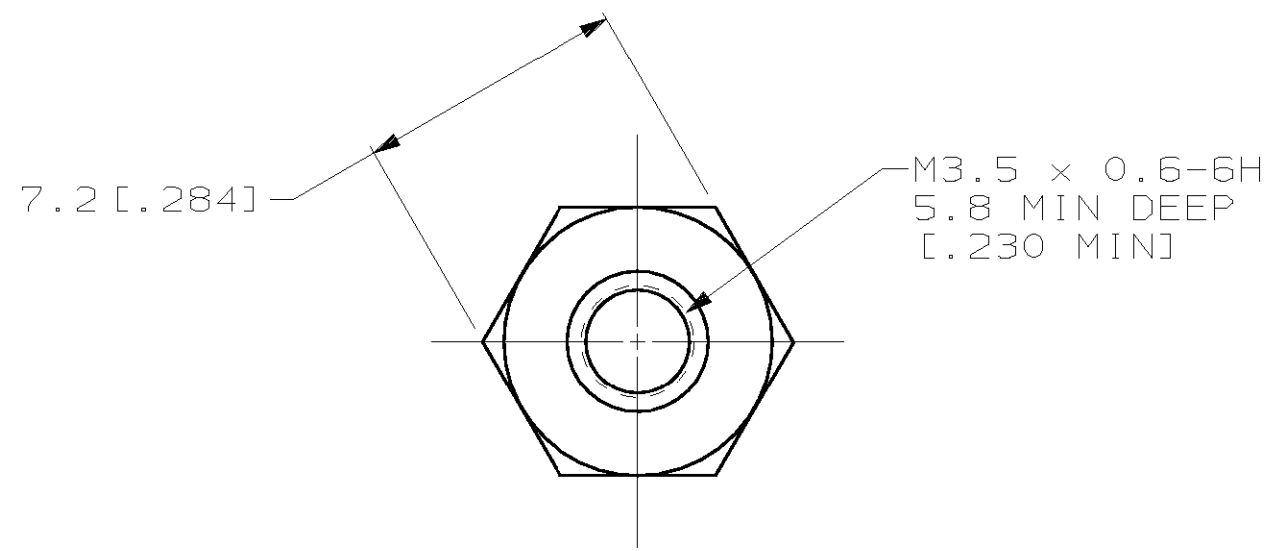
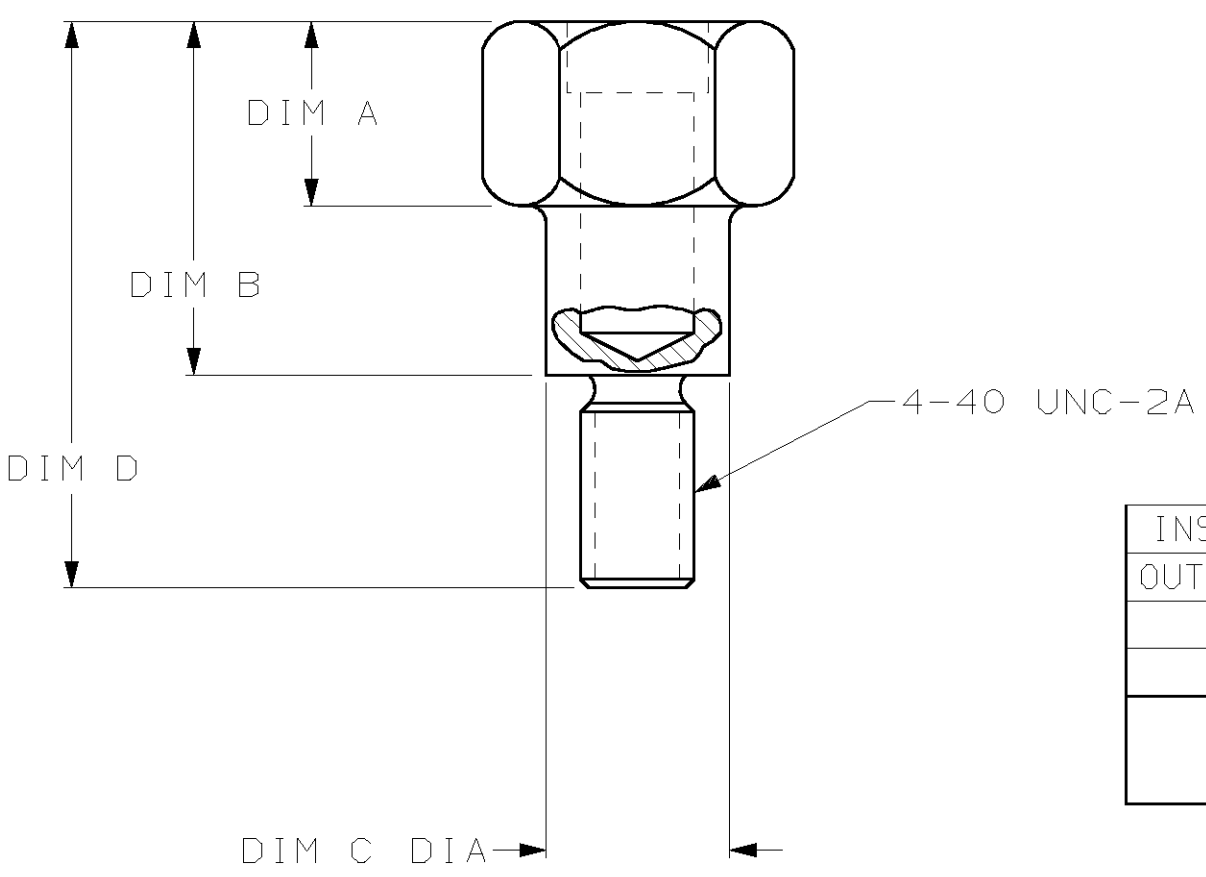


THIS DRAWING IS UNPUBLISHED. RELEASED FOR PUBLICATION ,19 .
 © COPYRIGHT 19 BY AMP INCORPORATED. ALL RIGHTS RESERVED.

LOC	DIST	REVISIONS			
P	LTR	DESCRIPTION	DATE	DWN	APVD
AA	20	K	REVISED PER EC 0U1D-0002-00	21JAN00	DLD EWB



1. ALL DIMENSIONS SHOWN ARE FOR REFERENCE ONLY.
2. DIMENSIONS IN [] BRACKETS ARE IN INCHES.
3. PARTS COATED WITH AMP APPROVED CORROSION PREVENTATIVE.



INSIDE (SHIELDED)	17.5 [.688]	4.6 [.183]	9.4 [.369]	4.9 [.193]	552634-9
OUTSIDE (SHIELDED)	19.1 [.750]	4.6 [.183]	11.0 [.432]	6.5 [.256]	552634-7
INSIDE	16.5 [.650]	4.7 [.185]	8.5 [.335]	4.9 [.193]	552634-4
OUTSIDE	16.5 [.650]	4.2 [.165]	8.6 [.339]	6.5 [.256]	552634-3
PANEL MOUNTED	DIM D	DIM C DIA	DIM B	DIM A	PART NUMBER

DIM C DIA

METRIC

THIS DRAWING IS A CONTROLLED DOCUMENT.

DIMENSIONS: mm [INCHES]	TOLERANCES UNLESS OTHERWISE SPECIFIED:	DWN V.E. SLACK 02 MAR 78	AMP AMP Incorporated Harrisburg, PA 17105-3608
	0 PLC ±- 1 PLC ±- 2 PLC ±- 3 PLC ±- 4 PLC ±- ANGLES ±-	CHK R.E. REICH 14 MAR 78	
MATERIAL STEEL	FINISH BLACK OXIDE	APVD S. HEGE 05 APR 78	NAME STANDOFF, STUD, MOUNTING (METRIC)
		PRODUCT SPEC -	SIZE A3
		APPLICATION SPEC -	CAGE CODE 00779
		WEIGHT -	DRAWING NO C-552634
		CUSTOMER DRAWING	RESTRICTED TO -
		SCALE NONE	SHEET 1 OF 1
			REV K