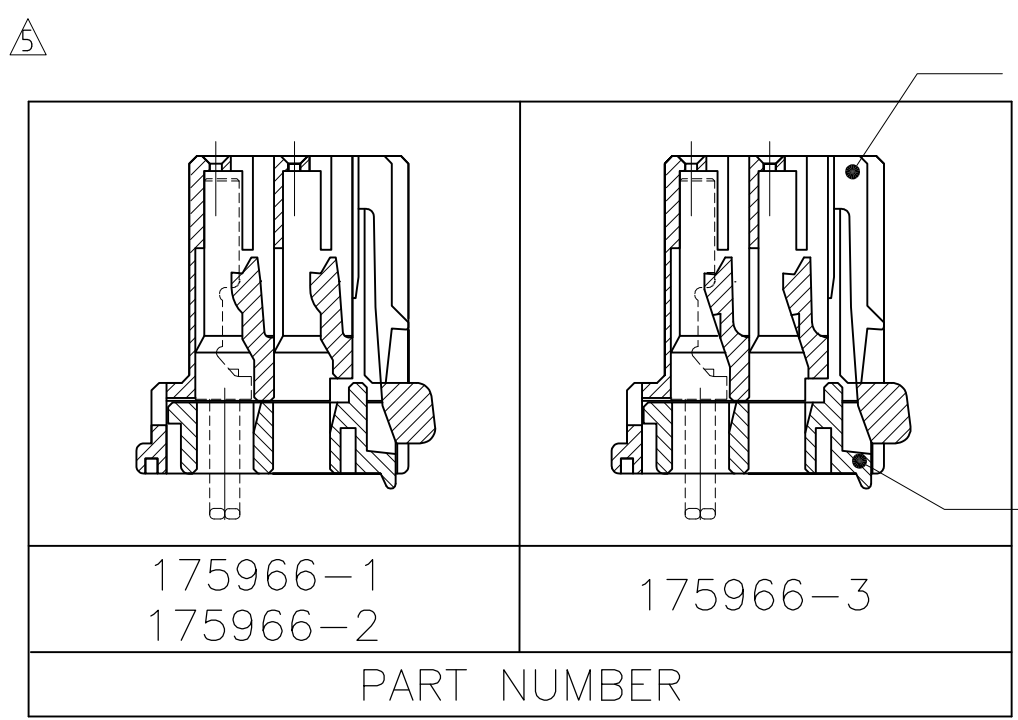
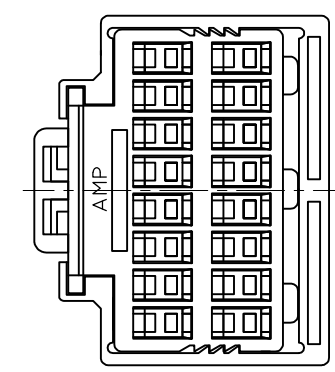
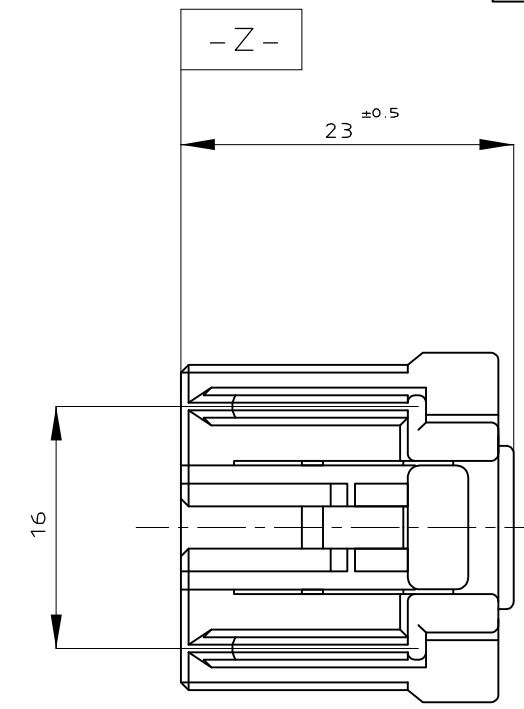
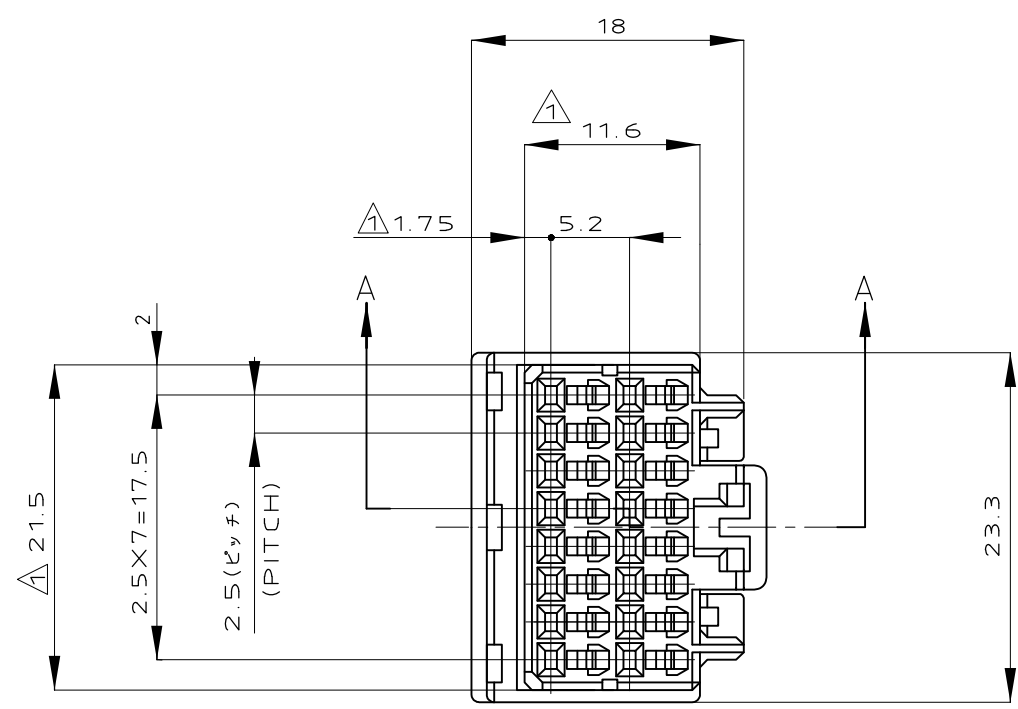


THIS DRAWING IS UNPUBLISHED. RELEASED FOR PUBLICATION
 © COPYRIGHT - By - ALL RIGHTS RESERVED.

LOC	DIST	REVISIONS 変更					
J	-	P	LTR	DESCRIPTION	DATE	DWN	APVD
		B2		REVISED PER ECO-11-005140	28MAR11	RK	HMR

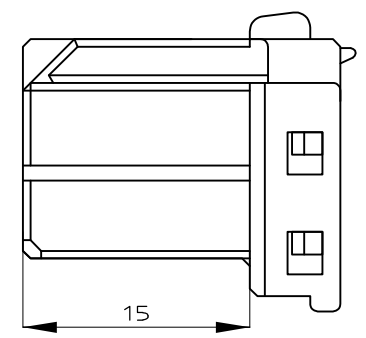


PLUG HOUSING

DOUBLE LOCK PLATE

PART NUMBER

A-A



- △1 MUST BE KEPT BETWEEN [-Z-] AND 2mm
- 2 THE MATING CAP HSG. PART NUMBER;175615,175976
- 3 APPLIED CONTACT PART NUMBER;173681
- 4 APPLICABLE PRODUCT SPEC NO.;108-5281
- △5 THIS PLUG HOUSING HAVE TWO KINDS OF LANCE TYPE.

- △1 [-Z-] 面より2mmの範囲で測定。
- 2 かん合相手ハウジング型番 ;175615,175976
- 3 内装するリセプタクルコンタクト型番 ;173681
- 4 適用製品規格番号 ;108-5281
- △5 本プラグハウジングは2タイプのランス形状がある

BLACK	175966-3
BLACK	175966-2
NATURAL	175966-1
COLOR	PART NUMBER

TOLERANCE UNLESS OTHERWISE SPECIFIED: 一般公差

0 < x ≤ 10	: ±0.2
10 < x ≤ 30	: ±0.25
30 < x ≤ 100	: ±0.3
ANGLE ; 角度	: ±3°

THIS DRAWING IS A CONTROLLED DOCUMENT.

DWN K. SUZUKI	24OCT89	STE TE Connectivity
CHK Y. MATSUSAKA	24DEC89	
APVD M. NOGUCHI	24DEC89	
NAME M. NOGUCHI	24DEC89	
DIMENSIONS: 単位: 概 mm	TOLERANCES UNLESS OTHERWISE SPECIFIED: 一般公差	040 SERIES MULTILOCK I/O CONNECTOR MK-II 16POSITION PLUG HOUSING ASSEMBLY
0 PLC ±-	1 PLC ±-	PRODUCT SPEC 製品規格 108-5281
2 PLC ±-	3 PLC ±-	APPLICATION SPEC 取付適用規格
4 PLC ±-	ANGLES ±-	SIZE CAGE CODE DRAWING NO A3 00779 C-175966
MATERIAL 材料 PBT	FINISH 仕上 COLOR HOUSING; SEE TABLE PLATE; NATURAL	WEIGHT 4.0 g
CUSTOMER DRAWING		RESTRICTED TO
SCALE 尺度 2:1		SHEET 1 OF 1
		REV B2