

4

3

2

1

THIS DRAWING IS UNPUBLISHED.

RELEASED FOR PUBLICATION

,19

© COPYRIGHT 19

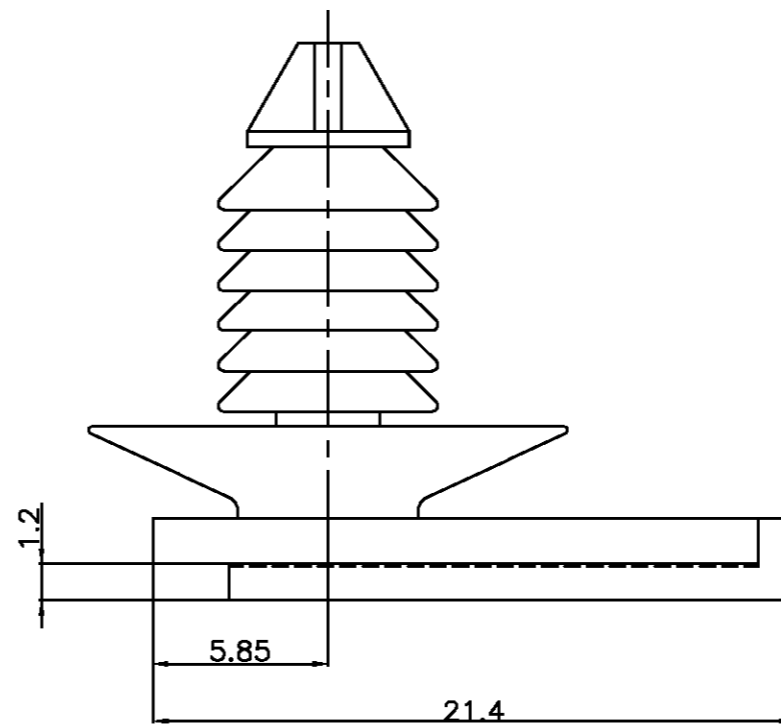
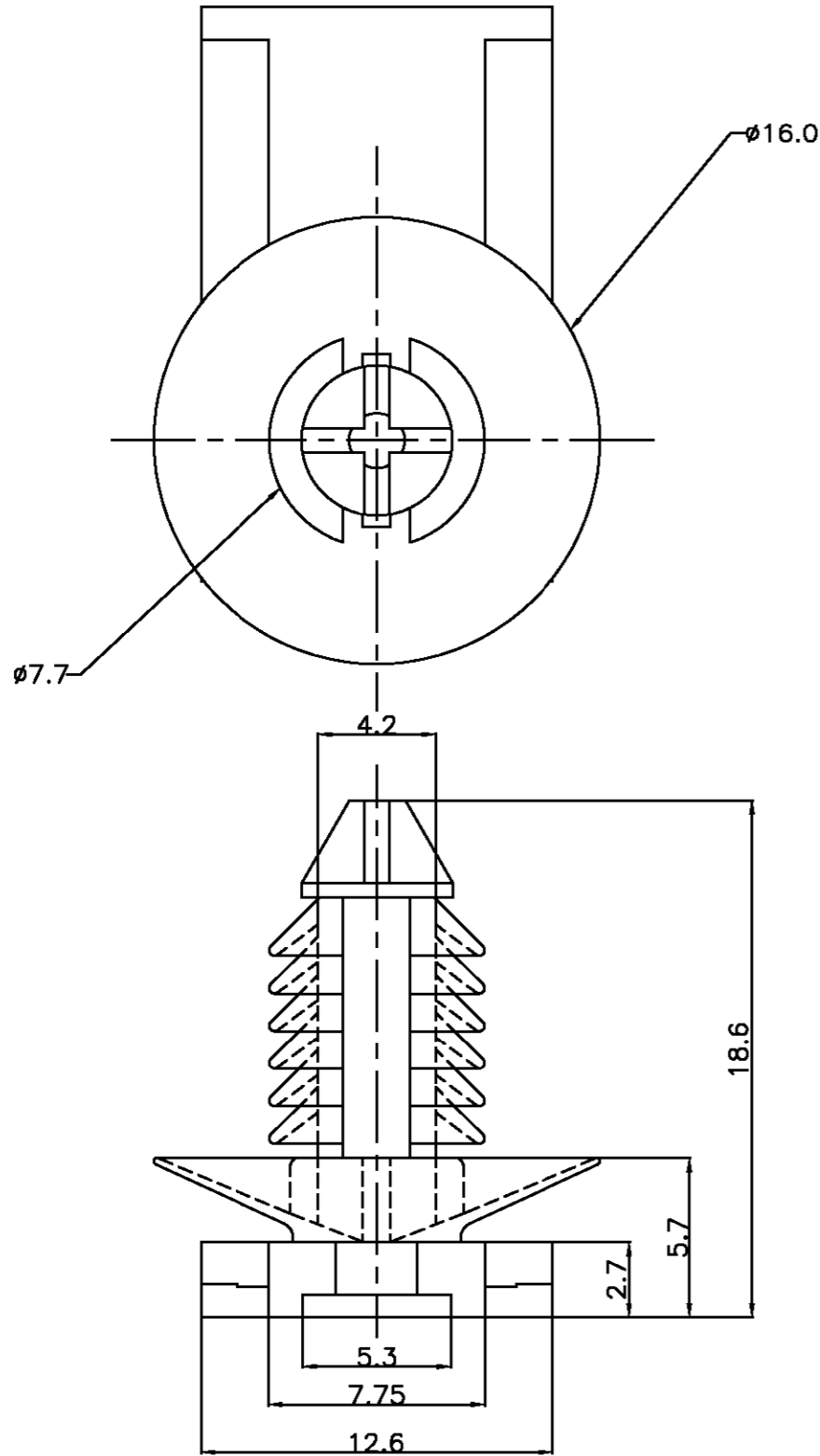
BY AMP INCORPORATED. ALL RIGHTS RESERVED.

LDC DS

DIST

REVISIONS

P	LTR	DESCRIPTION	DATE	DWN	APVD
0		RELEASED(FC00-0131-99)	27,NOV,'99	HS	CS



NOTES

- 1. MATERIAL: PA66
- 2. COLOR

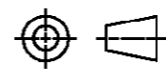
BLACK	368373-1
COLOR	PART NO.

THIS DRAWING IS A CONTROLLED DOCUMENT FOR AMP INCORPORATED. IT IS SUBJECT TO CHANGE AND THE CONTROLLING ENGINEERING ORGANIZATION SHOULD BE CONTACTED FOR THE LATEST REVISION.

DIMENSIONS: MM

TOLERANCES UNLESS OTHERWISE SPECIFIED:

- 0 <XX<10 ± 0.2
- 10<XX<30 ± 0.25
- 30<XX ± 0.3
- ANGLES ± 3°



3rd ANGLE PROJECTION

MATERIAL

FINISH

DWN HS,BAE

CHK BM,JANG

APVDCS,LEE

PRODUCT SPEC

APPLICATION SPEC

WEIGHT

**AMP**

AMP KOREA.  
kyungsan, korea

NAME

CLIP HSG FOR 070 & EJ (7Ø PANEL)

SIZE

CAGE CODE

DRAWING NO

A3

00779

368373

SCALE 4/1

SHEET 1 OF 1

REV 0