

SACC-DSI-M8FS-3CON-M10/1,5 - Device connector, rear mounting



1425818

<https://www.phoenixcontact.com/us/products/1425818>

Please be informed that the data shown in this PDF document is generated from our online catalog. Please find the complete data in the user documentation. Our general terms of use for downloads are valid.



Device connector, rear mounting, 3-position, Rear mounting, 0.25 mm², PVC litz wire

Commercial data

Item number	1425818
Packing unit	1 pc
Minimum order quantity	1 pc
Sales key	AB22
Product key	ABQIDB
GTIN	4055626428154
Weight per piece (including packing)	24.5 g
Weight per piece (excluding packing)	20.8 g
Customs tariff number	85444290
Country of origin	DE

SACC-DSI-M8FS-3CON-M10/1,5 - Device connector, rear mounting



1425818

<https://www.phoenixcontact.com/us/products/1425818>

Technical data

Mounting

Mounting type	Rear mounting
---------------	---------------

Product properties

Product type	Circular connectors (device side)
Number of positions	3

Electrical properties

Nominal voltage U_N	48 V AC
	60 V DC

Cable/line

Cable type	PVC litz wire
------------	---------------

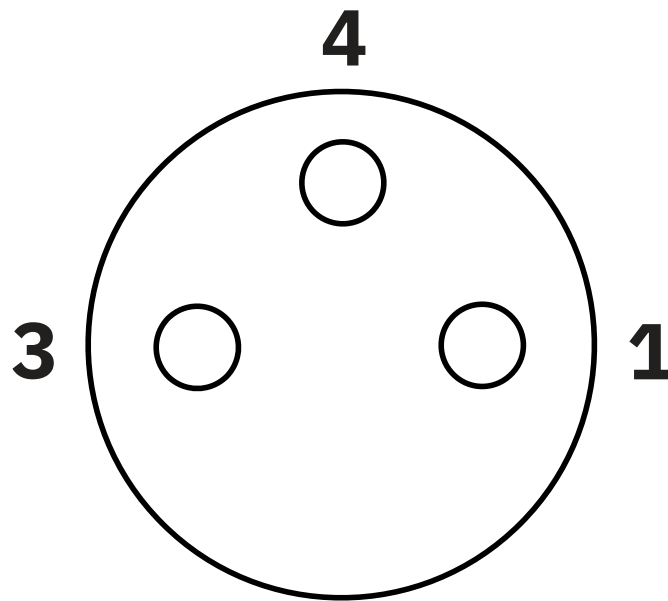
SACC-DSI-M8FS-3CON-M10/1,5 - Device connector, rear mounting

1425818

<https://www.phoenixcontact.com/us/products/1425818>

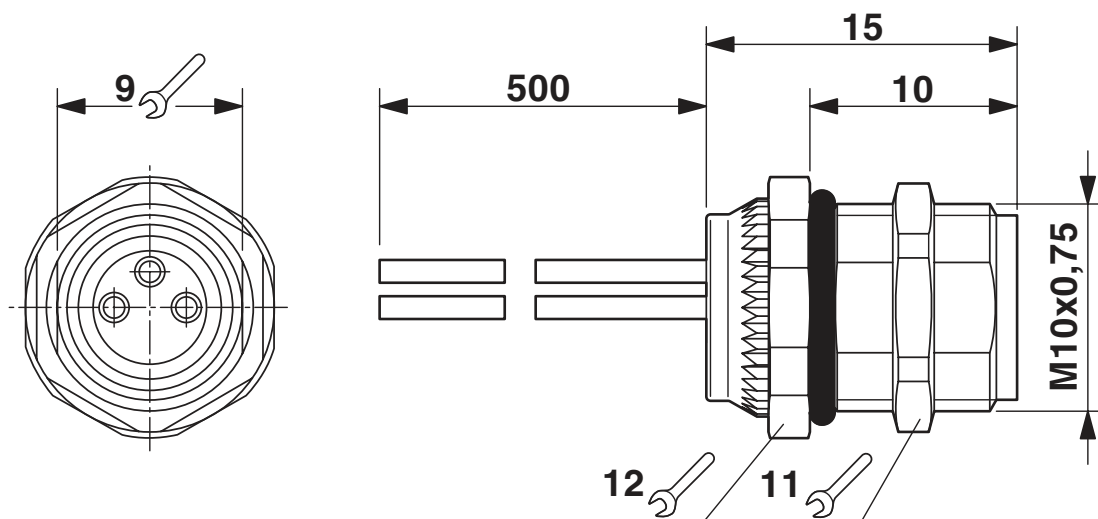
Drawings

Schematic diagram



Pin assignment M8 socket, 3-pos., view female side

Dimensional drawing



Dimensional drawing

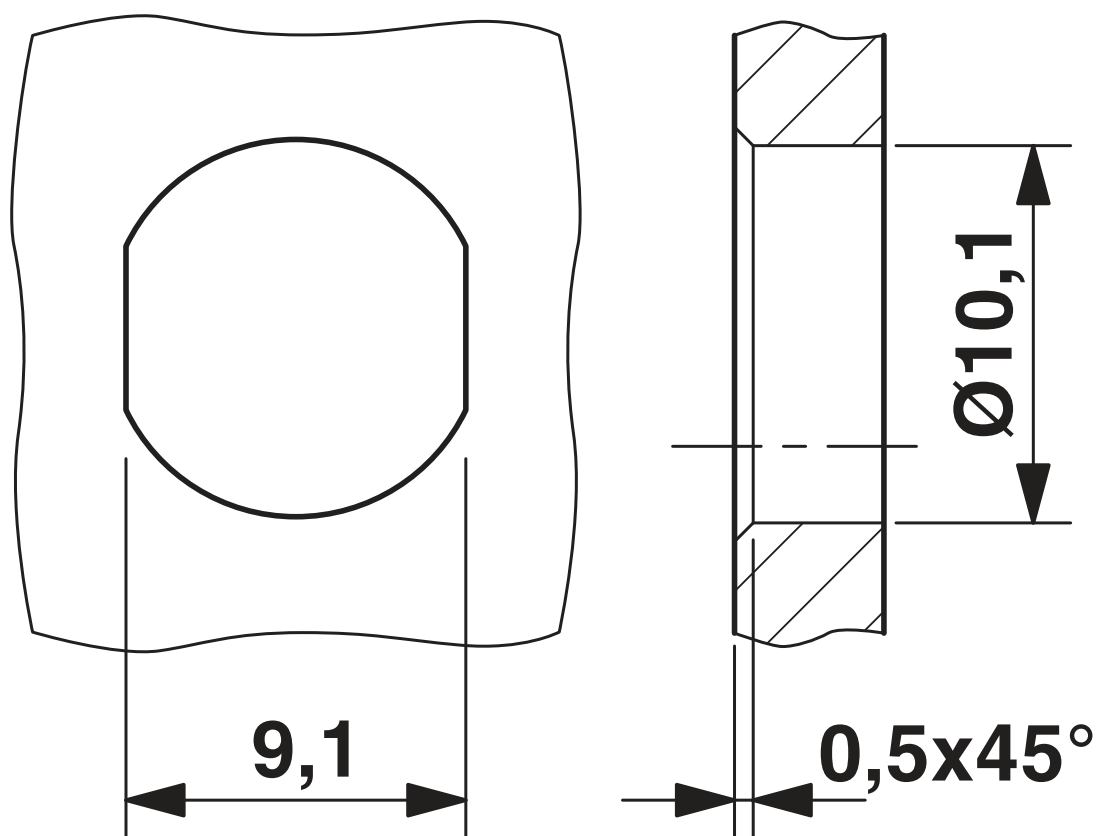
SACC-DSI-M8FS-3CON-M10/1,5 - Device connector, rear mounting



1425818

<https://www.phoenixcontact.com/us/products/1425818>

Dimensional drawing



Mounting panel with feed-through hole

SACC-DSI-M8FS-3CON-M10/1,5 - Device connector, rear mounting





1425818

<https://www.phoenixcontact.com/us/products/1425818>

Approvals

To download certificates, visit the product detail page: <https://www.phoenixcontact.com/us/products/1425818>

 cUL Recognized Approval ID: FILE E 221474				
	Nominal voltage U_N	Nominal current I_N	Cross section AWG	Cross section mm^2
	30 V	4 A	- 24	-

 UL Recognized Approval ID: FILE E 221474				
	Nominal voltage U_N	Nominal current I_N	Cross section AWG	Cross section mm^2
	30 V	4 A	- 24	-

cULus Recognized

SACC-DSI-M8FS-3CON-M10/1,5 - Device connector, rear mounting



1425818

<https://www.phoenixcontact.com/us/products/1425818>

Classifications

ECLASS

ECLASS-11.0	27440102
ECLASS-12.0	27440116
ECLASS-13.0	27440116

ETIM

ETIM 8.0	EC002635
----------	----------

UNSPSC

UNSPSC 21.0	39121400
-------------	----------

SACC-DSI-M8FS-3CON-M10/1,5 - Device connector, rear mounting



1425818

<https://www.phoenixcontact.com/us/products/1425818>

Environmental product compliance

REACH SVHC	Lead 7439-92-1
China RoHS	Environmentally Friendly Use Period = 50 years
	For information on hazardous substances, refer to the manufacturer's declaration available under "Downloads"

Phoenix Contact 2023 © - all rights reserved
<https://www.phoenixcontact.com>

Phoenix Contact USA
586 Fulling Mill Road
Middletown, PA 17057, United States
(+717) 944-1300
info@phoenixcon.com