


SACC-DSIV-M12FS-5CON-L180

Order No.: 1694237



<http://eshop.phoenixcontact.de/phoenix/treeViewClick.do?UID=1694237>

Sensor/actuator flush-type socket, 5-pos., M12, A-coded, rear/screw mounting with M12 thread, with polarity protection, with straight solder connection

Commercial data	
GTIN (EAN)	 4 017918 177515
sales group	D125
Pack	10 pcs.
Customs tariff	85366990
Catalog page information	Page 31 (PC-2009)

Product notes

WEEE/RoHS-compliant since:
01/27/2006



<http://www.download.phoenixcontact.com>
Please note that the data given here has been taken from the online catalog. For comprehensive information and data, please refer to the user documentation. The General Terms and Conditions of Use apply to Internet downloads.

Technical data	
General data	
Rated current at 40°C	4 A
Rated voltage	60 V
Number of positions	5
Volume resistance	≤ 3 mΩ

Insulation resistance	≥ 100 MΩ
Ambient temperature (operation)	-25 °C ... 85 °C (Male connector / female connector)

General characteristics

Standards/regulations	M12 connector IEC 61076-2-101
Coding	A - standard
Surge voltage category	II
Pollution degree	3
Degree of protection	IP67
Contact material	CuZn
Contact surface material	Ni/Au
Contact carrier material	PA 66
Material, knurls	Nickel-plated brass
Sealing material	NBR
Mounting type	Rear mounting M12 x 1 With locking nut
Type of connection	Solder pins
Status display	No

Certificates / Approvals

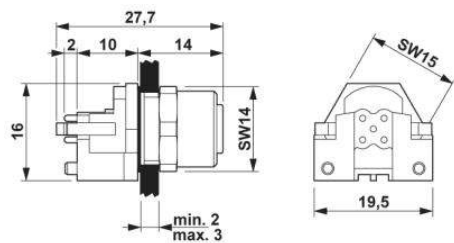


Certification

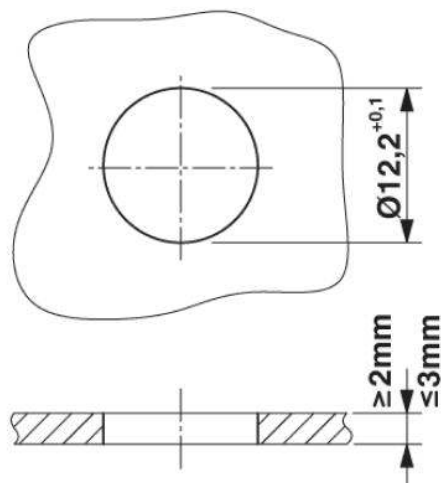
GOST

Diagrams/Drawings

Dimensioned drawing

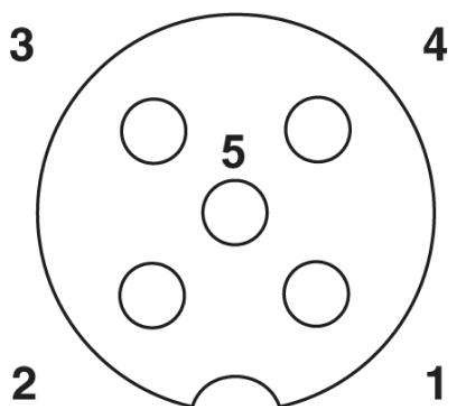


M12 flush-type connector



Panel cutout

Schematic diagram



Pin assignment M12 socket, 5-pos., A-coded, socket side view

Address

PHOENIX CONTACT Inc., USA
586 Fulling Mill Road
Middletown, PA 17057, USA
Phone (800) 888-7388
Fax (717) 944-1625
<http://www.phoenixcon.com>



© 2010 Phoenix Contact
Technical modifications reserved;