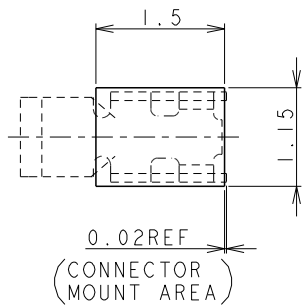
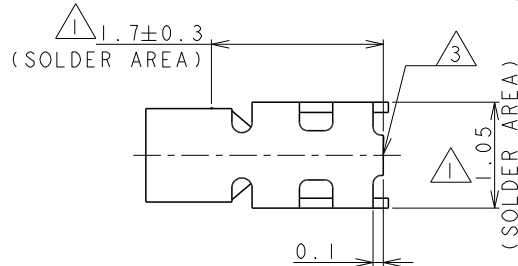
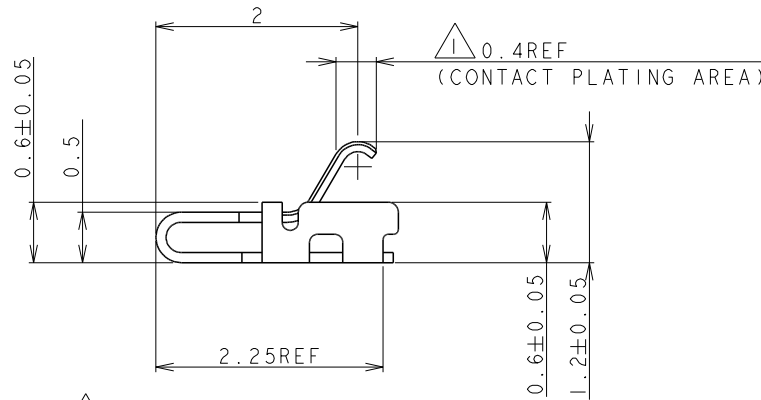
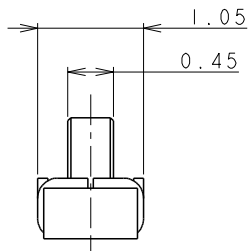
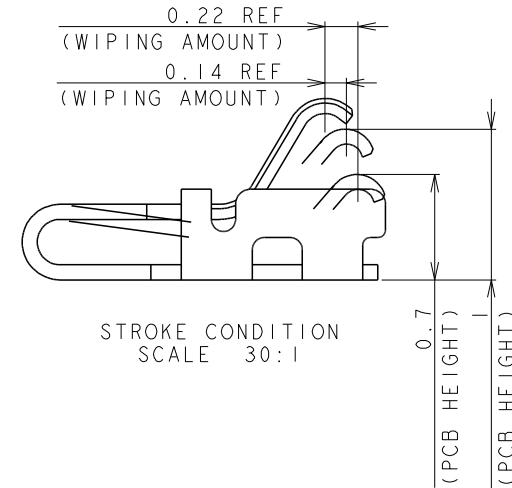
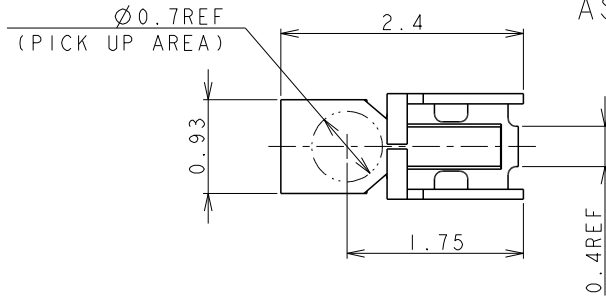


THIS DRAWING IS UNPUBLISHED. RELEASED FOR PUBLICATION 20  
 © COPYRIGHT 20 BY - ALL RIGHTS RESERVED.

LOC J DIST

REVISIONS			DATE	DWN	APVD
P	LTR	DESCRIPTION			
	A	REVISED	01 JUL 2010	Y. K	Y. N
	B	REVISED PER ECR-12-020867	24 JAN 2013	F. L	S. Y
	B1	REVISED PER ECR-13-008919	03 JUN 2013	R. W	S. Y
	B2	REVISED PER ECR-16-017382	12 JUN 2017	J. J	W. H

AS SHOWN: - 1 & - 3



NOTES:

- △ FINISH (PLATING SPECIFICATION)  
 Ni UNDER PLATING : 0.0008mm TO 0.002mm  
 Au PLATING (CONTACT PLATING AREA) : 0.00025mm TO 0.0005mm  
 Au PLATING (SOLDER AREA) : 0.00005mm TO 0.0005mm
- △ MATERIAL : COPPER ALLOY, THK.=0.1mm
- △ CUTTING BURR : 0.05mm MAX.
- 4 DISUSED PACKAGING MATERIAL : DRYPACK AND BAKING PROCESS.
- △ POST-PLATING SPECIFICATION:  
 Ni UNDER PLATING: 0.8um TO 2.0um  
 Au PLATING (CONTACT PLATING): 0.3um MIN  
 Au PLATING (SOLDER PLATING): 0.01um TO 0.2um
- 6 NORMAL FORCE AT 1.0mm HEIGHT IS 0.3N MIN  
 NORMAL FORCE AT 0.7mm HEIGHT IS 1.1N MAX

△	△	2134078-3
△	△	2134078-1
FINISH	MATERIAL	PART NUMBER

THIS DRAWING IS A CONTROLLED DOCUMENT.

DIMENSIONS:	TOLERANCES UNLESS OTHERWISE SPECIFIED:
mm	± 0.15
0-PLC	±
1-PLC	± 0.5
2-PLC	± 0.13
3-PLC	± 0.013
4-PLC	± 0.0001
ANGLES	± 3°

DWN	Y. KUDO	22 APR 2010
CHK	C. OHASHI	22 APR 2010
APVD	Y. NAKAZAWA	22 APR 2010
PRODUCT SPEC		
APPLICATION SPEC		
WEIGHT	4.4 mg	
Customer Drawing		

<b>STE</b> TE Connectivity	
NAME - SHIELD FINGER 1210	
SIZE	A3
CAGE CODE	00779
DRAWING NO	C=2134078
RESTRICTED TO	
SCALE	20:1
SHEET	1 OF 2
REV	B2

4

3

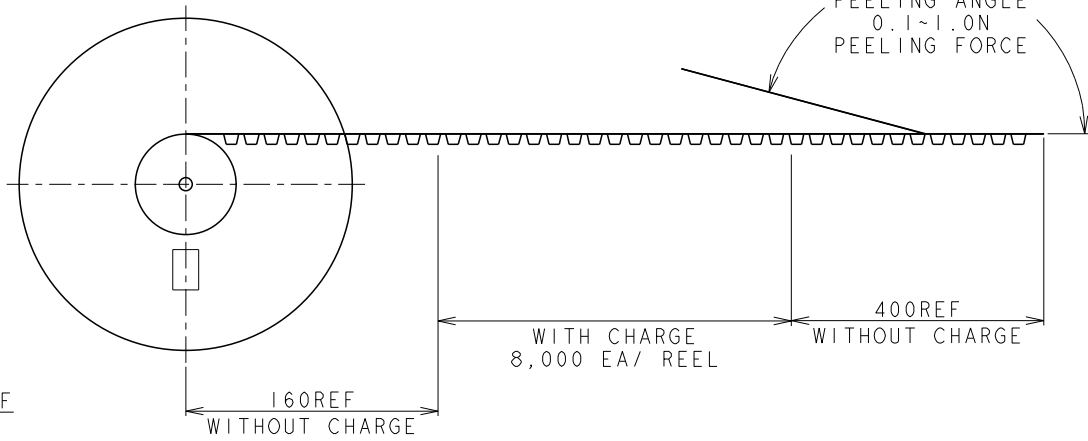
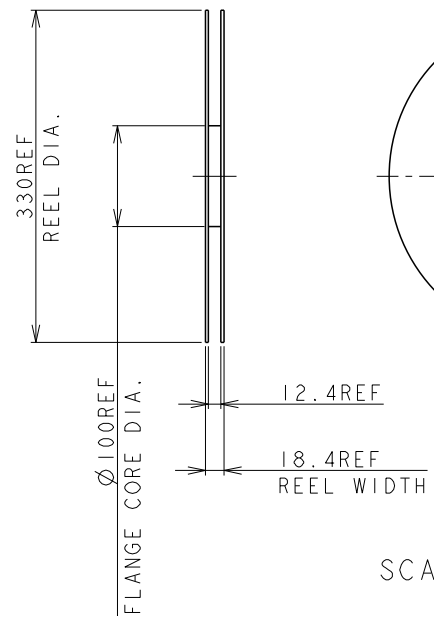
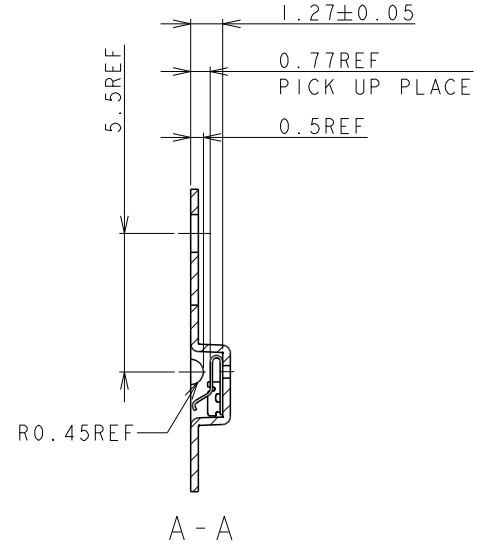
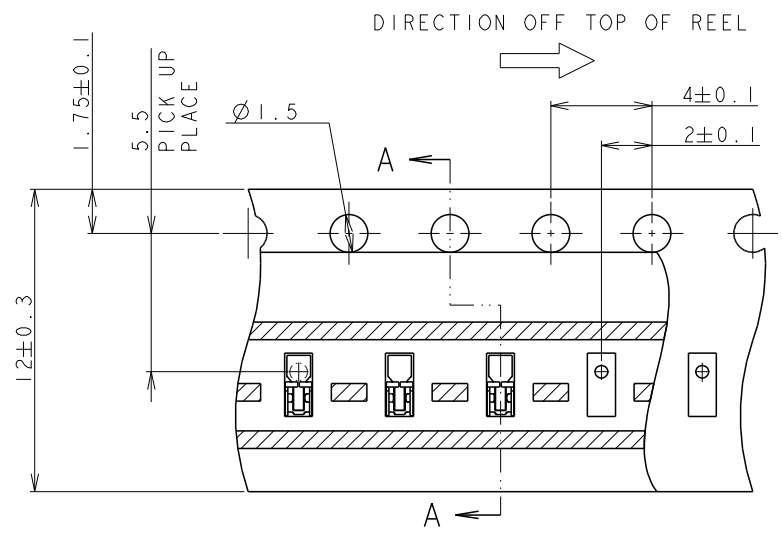
2

1

THIS DRAWING IS UNPUBLISHED. RELEASED FOR PUBLICATION 20  
 © COPYRIGHT 20 BY - ALL RIGHTS RESERVED.

LOC J DIST

REVISIONS			DATE	DWN	APVD
P	LTR	DESCRIPTION			
	-	SEE SHEET 1	-	-	-



SCALE 1:5

THIS DRAWING IS A CONTROLLED DOCUMENT.

DIMENSIONS:	TOLERANCES UNLESS OTHERWISE SPECIFIED:
mm	$\pm 0.2$
	0-PLC $\pm$
	1-PLC $\pm 0.5$
	2-PLC $\pm 0.13$
	3-PLC $\pm 0.013$
	4-PLC $\pm 0.0001$
	ANGLES $\pm 3^\circ$
MATERIAL	FINISH
-	-

DWN	Y. KUDO	22APR2010
CHK	C. OHASHI	22APR2010
APVD	Y. NAKAZAWA	22APR2010
PRODUCT SPEC		
APPLICATION SPEC		
WEIGHT	4.4 mg	
Customer Drawing		

		TE Connectivity	
NAME - SHIELD FINGER 1210			
SIZE	CAGE CODE	DRAWING NO	RESTRICTED TO
A300779	C=2134078		
SCALE 20:1		SHEET 2 OF 2	REV B2