



FocusLCDs.com  
LCDs MADE SIMPLE®

Ph. 480-503-4295 | [NOPP@FocusLCD.com](mailto:NOPP@FocusLCD.com)

TFT | CHARACTER | UWVD | FSC | SEGMENT | CUSTOM | REPLACEMENT

## Character LCD Module

Part Number

C204B-YTY-LW65

### Overview:

- 20x4 Character LCD
- STN Yellow Positive
- 146mm W x 62.5mm H
- 4/8-bit Parallel Interface
- Yellow LED Backlight
- Transflective
- Wide Temperature
- +5V Input Voltage
- Controller: ST7066U
- RoHS Compliant

## Description

This is a STN (Super-Twisted Nematic) Yellow Positive Character LCD (Liquid Crystal Display) that can display twenty characters on four lines (20x4). This model is composed of a transfective type LCD Panel, a built-in driver IC and a backlight unit.

## Character LCD Features

Character Format: 5x8 Dots with Cursor

Display Format: 20 Characters x 4 Lines

Interface: 4/8-bit Parallel

Controller: ST7066U (or equivalent)

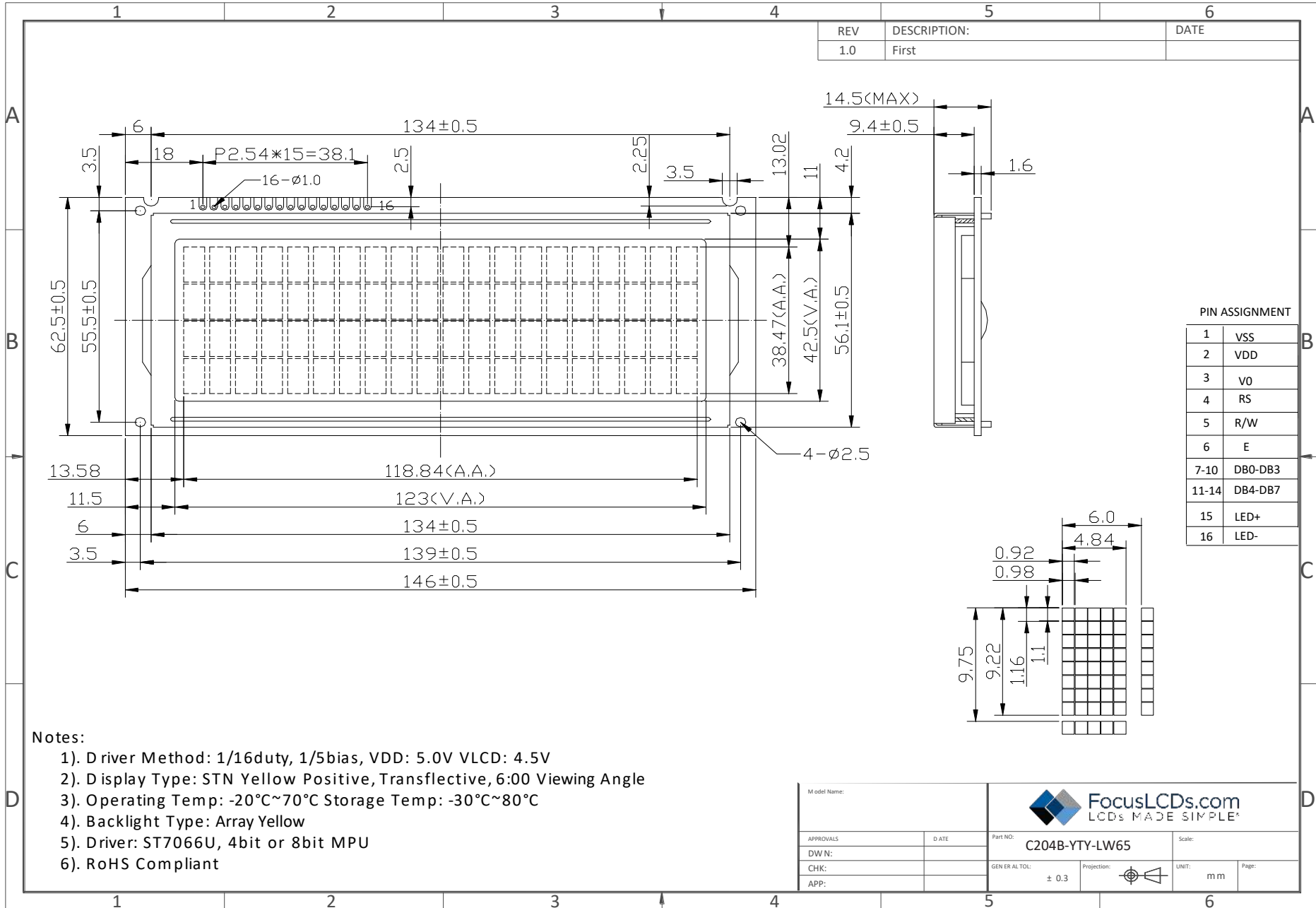
RoHS Compliant

General Information	Specification	Note
LCD Type	STN	
Viewing Direction	6 o'clock	
Rear Polarizer	Transflective	
Backlight Type	LED Array	External Power
Backlight Color	Yellow	
Temperature Range	Wide	
Touch Screen	None	
Controller IC	ST7066U	Or equivalent
Interface	Parallel	4/8-bit

## Mechanical Information

Item	Specification
Module Size	146.0mm L x 62.5mm W x 14.5mm H
Viewing Area	123.0mm L x 42.5mm W
Character Size	4.84mm L x 9.22mm W
Character Pitch	5.0mm L x 9.75mm W

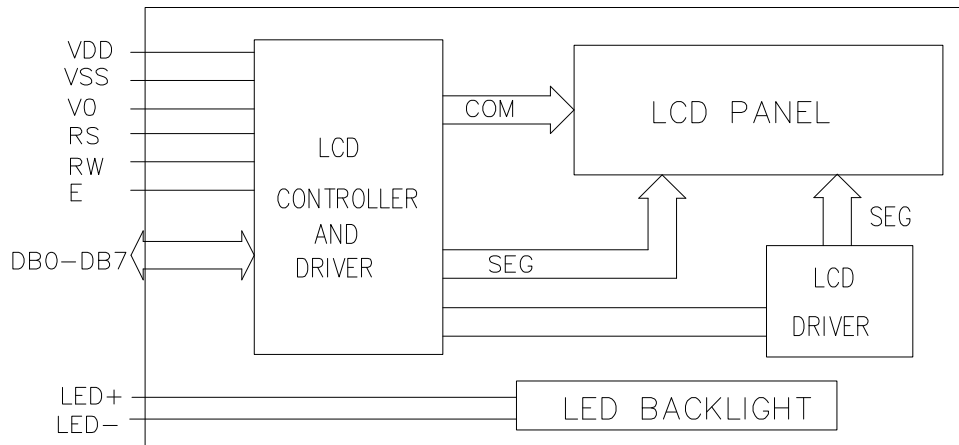
# 1. Outline Dimensions



## 2. Input Terminal Pin Assignment

NO.	Symbol	Description	Connection
1	VSS	Signal Ground for logic	Power ground
2	VDD	Power supply for logic	Power supply
3	V0	Contrast adjustment pin	Power supply
4	RS	Register select signal	MPU
5	R/W	Read/Write signal	MPU
6	E	Operation (data read/write) enable signal	MPU
7-10	DB0-DB3	Four low order bi-directional three-state data bus lines. Used for data transfer between the MPU.	MPU
11-14	DB4-DB7	Four high order bi-directional three-state data bus lines. Used for data transfer between the MPU and the LCM. These four are not used in the 4-bit interface.	MPU
15	LED+	Power supply for Backlight	Power supply
16	LED-	Power supply for Backlight GND	Power ground

## 3. Block Diagram



## 4. Contrast Adjusting Circuit



VDD-V0: LCD Driving Voltage  
 VR: 10k-20k

## 5. LCD Optical Characteristics

Item	Symbol	Condition	Min	Typ.	Max	Unit
Viewing Angle	$\theta_x$		50	60	--	deg
	$\phi_y$		50	60	--	deg
Response Time	Rise	tr	--	150	250	ms
	Fall	tf	--	200	300	
Contrast Ratio	Cr		2	5	--	--

## 6. Electrical Characteristics

### 6.1 Absolute Maximum Rating (Ta=25 °C, VSS=0V)

Characteristics	Symbol	Min	Max	Unit
Power Voltage	VDD-Vss	0	7.0	V
Input Voltage	VIN	VSS	VDD	V
Operating Temperature	TOP	-20	+70	°C
Storage Temperature	TST	-30	+80	°C

NOTE: If the absolute maximum rating of the above parameters is exceeded, even momentarily, the quality of the product may be degraded. Absolute maximum ratings specify the values which the product may be physically damaged if exceeded. Be sure to use the product within the range of the absolute maximum ratings.

### 6.2 DC Electrical Characteristics

Parameter	Symbol	Min	Typ.	Max	Unit	Note
Supply Voltage for LCD	VDD-V0	4.3	4.5	4.7	V	Ta=25°C
Input Voltage	VDD	4.7	5.0	5.2	V	
Supply Current	IDD	1.0	3.0	4.5	mA	Ta=25°C, VDD=5V
Input Leakage Current	ILKG	--	--	1.0	uA	
"H" Level Input Voltage	VIH	2.2	--	VDD	V	
"L" Level Input Voltage	VIL	0	--	0.6	V	Twice initial value or less
"H" Level Output Voltage	VOH	2.4	--	--	V	LOH=-0.25mA
"L" Level Output Voltage	VOL	--	--	0.4	V	LOH=0.1mA
Backlight Supply Voltage	VF	4.8	5.0	5.2	V	
Backlight Supply Current	ILED	200	250	300	mA	

## 7. Timing Characteristics

### 7.1 Write Cycle

Parameter	Symbol	Min	Typ.	Max	Unit	Test Pin
Enable Cycle Time	tc	500	-	-	ns	E
Enable Pulse Width	tw	300	-	-	ns	
Enable Rise/Fall Time	tr, tf	--	-	25	ns	
RS, R/W Setup Time	tsu1	100	-	-	ns	RS, R/W
RS, R/W Address Hold Time	th1	10	-	-	ns	
Read Data Output Delay	tsu2	60	-	-	ns	DB0-DB7
Read Data Hold Time	th2	10	-	-	ns	

#### Write Mode Timing Diagram



### 7.2 Read Cycle (Ta=25°C, VDD=5.0V)

Parameter	Symbol	Min	Typ.	Max	Unit	Test Pin
Enable Cycle Time	tc	500	-	-	ns	E
Enable Pulse Width	tw	300	-	-	ns	
Enable Rise/Fall Time	tr, tf	--	-	25	ns	
RS, R/W Setup Time	tsu	100	-	-	ns	RS, R/W
RS, R/W Address Hold Time	th	10	-	-	ns	
Read Data Output Delay	td	60	-	90	ns	DB0-DB7
Read Data Hold Time	tdh	20	-	-	ns	

#### Read Mode Timing Diagram



## 8. Instructions

To overcome the speed difference between the internal clock of ST7066 (or equivalent) and the MPU clock, ST7066 performs internal operations by storing control in formations to IR or DR. The internal operation is determined according to the signal from MPU, composed of read/write and data bus. Instructions can be divided largely into four groups:

- 1) ST7066 function set instructions (set display methods, set data length, etc.)
- 2) Address set instructions to internal RAM
- 3) Data transfer instructions with internal RAM
- 4) Others

The address of the internal RAM is automatically increased or decreased by 1.

Note: during internal operation, busy flag (DB7) is read "High". Busy flag check must be preceded by the next instruction.

### 8.1 Instruction Table

Instruction	Instruction Code										Description	Exc. Time (fosc = 270kHz)	
	RS	R/W	DB7	DB6	DB5	DB4	DB3	DB2	DB1	DB0			
Clear Display	0	0	0	0	0	0	0	0	0	1	Write "20H" to DDRAM and set DDRAM address to "00H" from AC	1.53ms	
Return Home	0	0	0	0	0	0	0	0	0	1	-	Set DDRAM address to "00H" from AC and return cursor to original position if shifted. Contents of DDRAM are not changed.	1.53ms
Entry Mode Set	0	0	0	0	0	0	0	0	1	I/D	SH	Assign cursor moving direction and blinking of display	39us
Display On/Off	0	0	0	0	0	0	0	1	D	C	B	Set display (D), cursor (C), and blinking of cursor (B) on/off control bit	-
Cursor or Display Shift	0	0	0	0	0	1	S/C	R/L	-	-	-	Set cursor moving, shift control bit and direction. Does not change DDRAM data	39us
Function Set	0	0	0	0	1	DL	N	F	-	-	-	Set interface data length (DL: 8/4-bit), Numbers of display Line (N: 2/1 line) and font type (F:5x11/5x8)	39us
Set CGRAM Address	0	0	0	1	AC5	AC4	AC3	AC2	AC1	AC0	-	Set CGRAM address in address counter	39us
Set DDRAM Address	0	0	1	AC6	AC5	AC4	AC3	AC2	AC1	AC0	-	Set DDRAM address in address counter	39us
Read Busy Flag and Address	0	1	BF	AC6	AC5	AC4	AC3	AC2	AC1	AC0	-	Read busy flag and address. Can be done during internal operation by reading BF	0us
Write Data to Address	1	0	D7	D6	D5	D4	D3	D2	D1	D0	-	Write data into internal RAM (DDRAM/CGRAM)	43us
Read Data from RAM	1	1	D7	D6	D5	D4	D3	D2	D1	D0	-	Read data from internal RAM (DDRAM/CGRAM)	43us

NOTE: When an MPU program with checking the busy flag (DB7) is made, it must be necessary 1/2fosc is necessary for executing the next instruction by the falling edge of the "E" signal after the busy flag (DB7) goes to "Low".

## 8.2 Contents

### 8.2.1 Clear Display

RS	R/W	DB7	DB6	DB5	DB4	DB3	DB2	DB1	DB0
0	0	0	0	0	0	0	0	0	1

Clear all the display data by writing "20H" (space code) to all DDRAM address and set DDRAM address to "00H" into AC (address counter). Return cursor to the original status, namely, bring the cursor to the left edge on the first line of the display. Make the entry mode increment (I/D="High").

### 8.2.2 Return Home

RS	R/W	DB7	DB6	DB5	DB4	DB3	DB2	DB1	DB0
0	0	0	0	0	0	0	0	1	-

Return home is cursor return home instruction. Set DDRAM address to "00H" into the address counter. Return cursor to its original site and return display to its original status, if shifted. Contents of DDRAM does not change

### 8.2.3 Entry Mode Set

RS	R/W	DB7	DB6	DB5	DB4	DB3	DB2	DB1	DB0
0	0	0	0	0	0	0	0	I/D	SH

Set the moving direction of cursor and display.

I/D: increment / decrement of DDRAM address (cursor or blink)

When I/D="high", cursor/blink moves to right and DDRAM address is increased by 1.

When I/D="Low", cursor/blink moves to left and DDRAM address is increased by 1.

CGRAM operates the same way as DDRAM, when reading from or writing to CGRAM.

SH: shift of entire display

When DDRAM read (CGRAM read/write) operation or SH="Low", shifting of entire display is not performed. If SH="High" and DDRAM write operation, shift of entire display is performed according to I/D value. (I/D="high". shift left, I/D="Low". Shift right)

### 8.2.4 Display ON/OFF Control

RS	R/W	DB7	DB6	DB5	DB4	DB3	DB2	DB1	DB0
0	0	0	0	0	0	1	D	C	B

Control display/cursor/blink ON/OFF 1-bit register.

**D: Display ON/OFF control bit**

When D="High", entire display is turned on.

When D="Low", display is turned off, but display data remains in DDRAM.

**C: cursor ON/OFF control bit**

When D="High", cursor is turned on.

When D="Low", cursor is disappeared in current display, but I/D register preserves its data.

**B: Cursor blink ON/OFF control bit**

When B="High", cursor blink is on, which performs alternately between all the "High" data and display characters at the cursor position.

When B="Low", blink is off.

### 8.2.5 Cursor or Display Shift

RS	R/W	DB7	DB6	DB5	DB4	DB3	DB2	DB1	DB0
0	0	0	0	0	1	S/C	R/L	-	-

Shifting of right/left cursor position or display without writing or reading of display data. This instruction is used to correct or search display data. During 2-line mode display, cursor moves to the 2nd line after the 40th digit of the 1st line. Note that display shift is performed simultaneously in all the lines. When display data is shifted repeatedly, each line is shifted individually. When display shift is performed, the contents of the address counter are not change

#### Shift patterns according to S/C and R/L bits

S/C	R/L	Operation
0	0	Shift cursor to the left. AC is decreased by 1
0	1	Shift cursor to the right. AC is increased by 1
1	0	Shift all the display to the left. Cursor moves according to the display
1	1	Shift all the display to the right. Cursor moves according to the display

### 8.2.6 Function Set

RS	R/W	DB7	DB6	DB5	DB4	DB3	DB2	DB1	DB0
0	0	0	0	1	DL	N	F	-	-

**DL: Interface data length control bit**

When DL="High", it means 8-bit bus mode with MPU.

When DL="Low", it means 4-bit bus mode with MPU. Hence, DL is a signal to select 8-bit or 4-bit bus mode.

When 4-bit bus mode, it needs to transfer 4-bit data twice.

**N: Display line number control bit**

When N="Low", 1-line display mode is set.

When N="High", 2-line display mode is set.

**F: Display line number control bit**

When F="Low", 5x8 dots format display mode is set.

When F="High", 5x11 dots format display mode.

### 8.2.7 Set CGRAM address

RS	R/W	DB7	DB6	DB5	DB4	DB3	DB2	DB1	DB0
0	0	0	1	AC5	AC4	AC3	AC2	AC1	AC0

Set CGRAM address to AC.

The instruction makes CGRAM data available from MPU.



### 8.2.8 Set DDRAM address

RS	R/W	DB7	DB6	DB5	DB4	DB3	DB2	DB1	DB0
0	0	1	AC6	AC5	AC4	AC3	AC2	AC1	AC0

Set DDRAM address to AC.

This instruction makes DDRAM data available from MPU.

When 1-line display mode (N=LOW), DDRAM address is form "00H" to "4FH". In 2-line display mode (N=High), DDRAM address in the 1st line form "00H" to "27H", and DDRAM address in the 2nd line is from "40H" to "67H".

### 8.2.9 Read Busy Flag & Address

RS	R/W	DB7	DB6	DB5	DB4	DB3	DB2	DB1	DB0
0	1	BF	AC6	AC5	AC4	AC3	AC2	AC1	AC0

This instruction shows whether ST7066 is in internal operation or not. If the resultant BF is "High", internal operation is in progress and should wait BF is to be LOW, which by then the next instruction can be performed. In this instruction you can also read the value of the address counter.

### 8.2.10 Write data to RAM

RS	R/W	DB7	DB6	DB5	DB4	DB3	DB2	DB1	DB0
1	0	D7	D6	D5	D4	D3	D2	D1	D0

Write binary 8-bit data to DDRAM/CGRAM.

The selection of RAM from DDRAM, and CGRAM, is set by the previous address set instruction (DDRAM address set, CGRAM address set). RAM set instruction can also determine the AC direction to RAM. After write operation. The address is automatically increased/decreased by 1, according to the entry mode.

### 8.2.11 Read data from RAM

RS	R/W	DB7	DB6	DB5	DB4	DB3	DB2	DB1	DB0
1	1	D7	D6	D5	D4	D3	D2	D1	D0

Read binary 8-bit data from DDRAM/CGRAM.

The selection of RAM is set by the previous address set instruction. If the address set instruction of RAM is not performed before this instruction, the data that has been read first is invalid, as the direction of AC is not yet determined. If RAM data is read several times without RAM address instructions set before, read operation, the correct RAM data can be obtained from the second. But the first data would be incorrect, as there is no time margin to transfer RAM data.

In case of DDRAM read operation, cursor shift instruction plays the same role as DDRAM address set instruction, it also transfers RAM data to output data register. After read operation, address counter is automatically increased/decreased by 1 according to the entry mode. After CGRAM read operation, display shift may not be executed correctly.

*NOTE: In case of RAM write operation, AC is increased/decreased by 1 as in read operation. At this time, AC indicates next address position, but only the previous data can be read by the read instruction.*

## 9. Cautions and Handling

### General Precautions:

1. LCD panel is made of glass. Avoid excessive mechanical shock or applying strong pressure onto the surface of display area.
2. The polarizer used on the display surface is easily scratched and damaged. Extreme care should be taken when handling. To clean dust or dirt off the display surface, wipe gently with cotton, or other soft material soaked with isopropyl alcohol, ethyl alcohol or trichlorotrifluoroethane. Do not use water, ketone or aromatics and never scrub hard.
3. Do not tamper in any way with the tabs on the metal frame.
4. Do not make any modification on the PCB without consulting.
5. When mounting the LCM, make sure that the PCB is not under any stress such as bending or twisting. Elastomer contacts are very delicate and missing pixels could result from slight dislocation of any of the elements.
6. Avoid pressing on the metal bezel, otherwise the elastomer connector could be deformed and lose contact, resulting in missing pixels and cause rainbow on the display.
7. Be careful not to touch or swallow liquid crystal that might leak from a damaged cell. Any liquid crystal adheres to skin or clothes, wash it off immediately with soap and water.

### Static Electricity Precautions:

1. CMOS-LSI is used for the module circuit; therefore, operators should be grounded whenever he/she comes into contact with the module.
2. Do not touch any of the conductive parts such as the LSI pads, the copper leads on the PCB and the interface terminals with any parts of the human body.
3. Do not touch the connection terminals of the display with bare hand; it will cause disconnection or defective insulation of terminals.
4. The modules should be kept in anti-static bags or other containers resistant to static for storage.
5. Only properly grounded soldering irons should be used.
6. If an electric screwdriver is used, it should be grounded and shielded to prevent sparks.
7. The normal static prevention measures should be observed for work clothes and working benches.
8. Since dry air is inductive to static, a relative humidity of 50-60% is recommended.

### Soldering Precautions:

1. Soldering should be performed only on the I/O terminals.
2. Use soldering irons with proper grounding and no leakage.
3. Soldering temperature: 280°C±10°C
4. Soldering time: 3 to 4 second.
5. Use eutectic solder with resin flux filling.
6. If flux is used, the LCD surface should be protected to avoid spattering flux.
7. Flux residue should be removed.

### Operation Precautions:

1. The viewing angle can be adjusted by varying the LCD driving voltage  $V_o$ .
2. Since applied DC voltage causes electro-chemical reactions, which deteriorate the display, the applied pulse waveform should be a symmetric waveform such that no DC component remains. Be sure to use the specified operating voltage.
3. Driving voltage should be kept within specified range; excess voltage will shorten display life.
4. Response time increases with decrease in temperature.
5. Display color may be affected at temperatures above its operational range.
6. Keep the temperature within the specified range usage and storage. Excessive temperature and humidity could cause polarization degradation, polarizer peel-off or generate bubbles.
7. For long-term storage over 40°C is required, the relative humidity should be kept below 60%, and avoid