



■ Features :

- 2"x2" compact size
- 2:1 wide input range
- High efficiency up to 93%
- 1500VDC I/O isolation
- Built-in remote ON / OFF control
- Built-in remote sense
- Trimming output $\pm 10\%$
- Comply with CE / FCC without external components
- Protections: Short circuit / Overload / Input and output Over voltage
- Cooling by free air convection
- Six-sided shield metal case
- 100% burn-in test
- Low cost / High reliability
- Output 3.3V available
- 2 years warranty

■ GTIN CODE

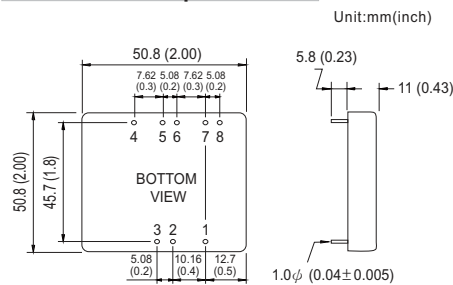
MW Search: <https://www.meanwell.com/serviceGTIN.aspx>



SPECIFICATION

ORDER NO.	SKA60A-05	SKA60B-05	SKA60C-05	SKA60A-12	SKA60B-12	SKA60C-12	SKA60A-15	SKA60B-15	SKA60C-15			
OUTPUT	DC VOLTAGE			12V			15V					
	CURRENT RANGE			0.5 ~ 5A			0.4 ~ 4A					
	RATED POWER									60W		
	RIPPLE & NOISE (max.) Note.2			60mVp-p			80mVp-p			100mVp-p		
	LINE REGULATION Note.3			$\pm 0.5\%$								
	LOAD REGULATION Note.4			$\pm 0.5\%$								
	VOLTAGE ACCURACY			$\pm 2.0\%$								
	SWITCHING FREQUENCY			250KHz min.								
INPUT	EXTERNAL CAPACITANCE LOAD (max.)			1000uF			220uF			100uF		
	EXTERNAL TRIM Adj. RANGE(Typ.)			$\pm 10\%$								
	VOLTAGE RANGE			A: 9 ~ 18VDC B: 18 ~ 36VDC C: 36 ~ 75VDC								
	EFFICIENCY (Typ.)			91%	90.5%	92%	92%	92.5%	92%	92%	93%	92.5%
	DC CURRENT		Full load	5505mA	2775mA	1370mA	5445mA	2715mA	1370mA	5400mA	2690mA	1370mA
			No load	185mA	120mA	60mA	160mA	120mA	60mA	160mA	120mA	85mA
PROTECTION (Note. 5)	OVER CURRENT			110% ~ 160% rated output power								
				Protection type : Hiccup mode, recovers automatically after fault condition is removed								
	SHORT CIRCUIT			All output equipped with short circuit								
				Protection type : Hiccup mode, recovers automatically after fault condition is removed								
	OVER VOLTAGE		Input(Typ.)	A: >20 ~ 25VDC B: >40 ~ 50VDC C: >80 ~ 100VDC input voltage Protection type : Shut down o/p voltage, recovers automatically after fault condition is removed								
		Output(Typ.)	5Vo : 7V ~ 8.95V ; 12Vo : 15V ~ 19.2V ; 15Vo : 18V ~ 23.3V Protection type : Clamp by TVS diode									
ENVIRONMENT	WORKING TEMP.			-40 ~ +70°C (Refer to "Derating Curve")								
	CASE TEMP.			+100°C max.								
	WORKING HUMIDITY			20% ~ 90% RH non-condensing								
	STORAGE TEMP., HUMIDITY			-55 ~ +105°C, 10 ~ 95% RH								
	TEMP. COEFFICIENT			$\pm 0.03\% / ^\circ\text{C}$ (0 ~ 50°C)								
	VIBRATION			10 ~ 500Hz, 2G 10min./1cycle, period for 60min. each along X, Y, Z axes								
SAFETY & EMC	SAFETY STANDARDS			EAC TP TC 020/2011 (EAC TP TC 004 for 48Vin type only) approved								
	WITHSTAND VOLTAGE			I/P-O/P: 1.5KVDC								
	ISOLATION RESISTANCE			I/P-O/P: 100M Ohms / 500VDC / 25°C / 70% RH								
	EMC EMISSION			Compliance to BS EN/EN55032 Class A, FCC part 15 Class A without external components, EAC TP TC 020								
OTHERS	EMC IMMUNITY			Compliance to BS EN/EN61000-4-2,3,4,5,6,8, light industry level, criteria A, EAC TP TC 020								
	DIMENSION			50.8*50.8*11.0 mm or 2**2**0.43" inch (L*W*H)								
PACKING			67g ; 5pcs/per tube, 200pcs/40 tube/per carton									

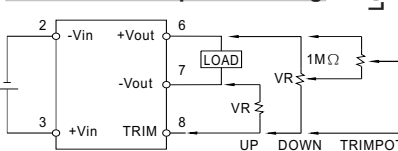
■ Mechanical Specification



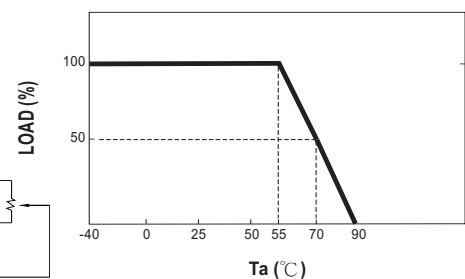
■ Pin Configuration

Pin No.	Output	Pin No.	Output
1	R.C	5	+R.S
2	-Vin	6	+Vout
3	+Vin	7	-Vout
4	-R.S	8	TRIM

■ External Output Trimming



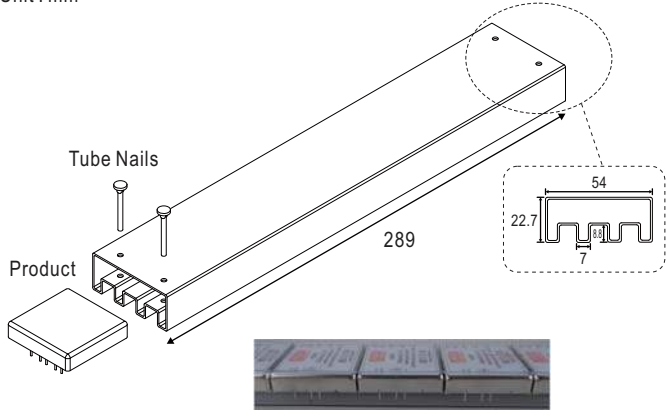
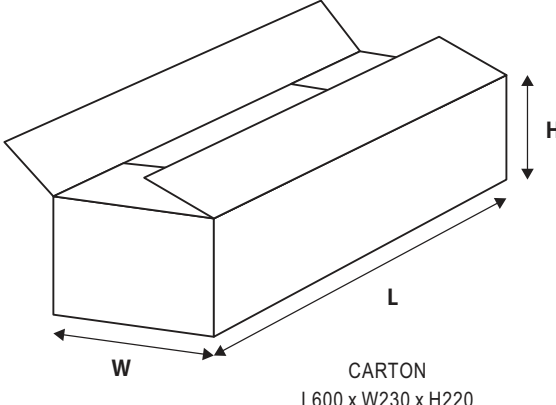
■ Derating Curve



NOTE

1. All parameters are specified at normal input, rated load, 25°C 70% RH ambient.
 2. Ripple & noise are measured at 20MHz by using a 12" twisted pair terminated with a 0.1uF & 47uF capacitor.
 3. Line regulation is measured from low line to high line at rated load.
 4. Load regulation is measured from 10% to 100% rated load.
 5. Please prevent the converter from operating in overload or short circuit condition for more than 30 seconds.
- ※ Product Liability Disclaimer : For detailed information, please refer to <https://www.meanwell.com/serviceDisclaimer.aspx>

■ Packing

Standard Tube Packing	MPQ Per Tube (PCS)	One Tube G.W.	Max. Q'TY/ Carton(PCS)	One Carton G.W.
<p>Unit : mm</p>  <p>Tube pattern</p>  <p>CARTON L600 x W230 x H220</p>	5	400g	200	16.8Kg

■ Installation Manual

Please refer to : <http://www.meanwell.com/manual.html>