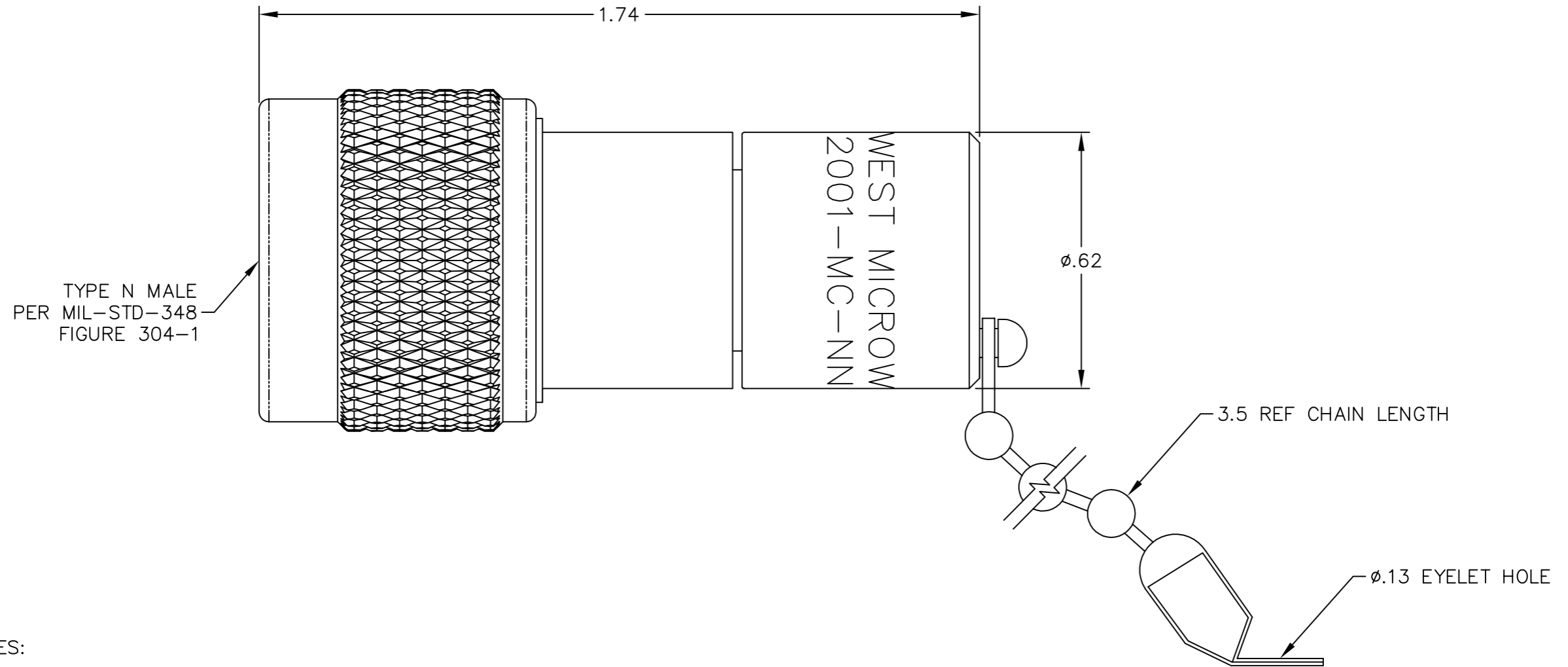


REV	ECO	DATE
B	12868	8/23/1993
C	13621	5/19/1994
H	58192	3/16/2022



NOTES:

1. MATERIAL & FINISH:

- 1.1. BODY, COUPLING NUT & END PLUG: PASSIVATED STAINLESS STEEL
- 1.2. DIELECTRIC: PTFE (TEFLON)
- 1.3. CENTER CONTACT: GOLD PLATED BERYLLIUM COPPER
- 1.4. GASKET: SILICONE RUBBER

2. SPECIFICATIONS:

- 2.1. FREQUENCY RANGE: DC TO 18 GHz
- 2.2. INPUT POWER (MAX): 2 WATTS AVERAGE AT +25°C, DERATED LINEARLY TO 0.5 WATTS AT +125°C
- 2.3. VSWR (MAX): 1.05+0.01f (GHz)
- 2.4. IMPEDANCE: 50 OHMS NOMINAL
- 2.5. OPERATING TEMPERATURE RANGE: -55°C TO +125°C

<p>NOTICE: The information in this drawing is PROPRIETARY and must not be used without the permission of Cinch Connectivity Solutions. It may contain data whose export is restricted. Verify status prior to exporting.</p> <p>INTERPRET DRAWING IN ACCORDANCE WITH ASME Y14.5-2018</p>	Model No. TRM-2001-MC-NN-02	MIDWEST MICROWAVE		
	RoHS2 <input checked="" type="checkbox"/> 2015/863/EU	Cage Code 34078	Title: TERMINATION TYPE N MALE	
	UNLESS OTHERWISE SPECIFIED UNITS: INCH	3RD ANGLE PROJECTION 	Drawing No. TRM-2001-MC-NN-02-01	Rev. H
	.XX ± .02 .XXX ± .005 ANGLES ± 2°	Engineer: J. KEREKES	DATE 3/16/22	SIZE A
		DO NOT SCALE DRAWING	Workmanship Std: SEE NOTES	SHEET 1 OF 1