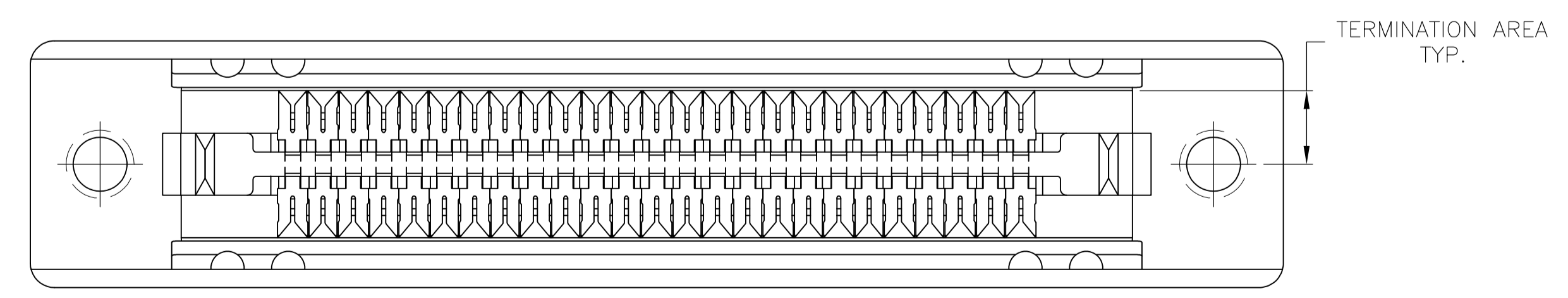
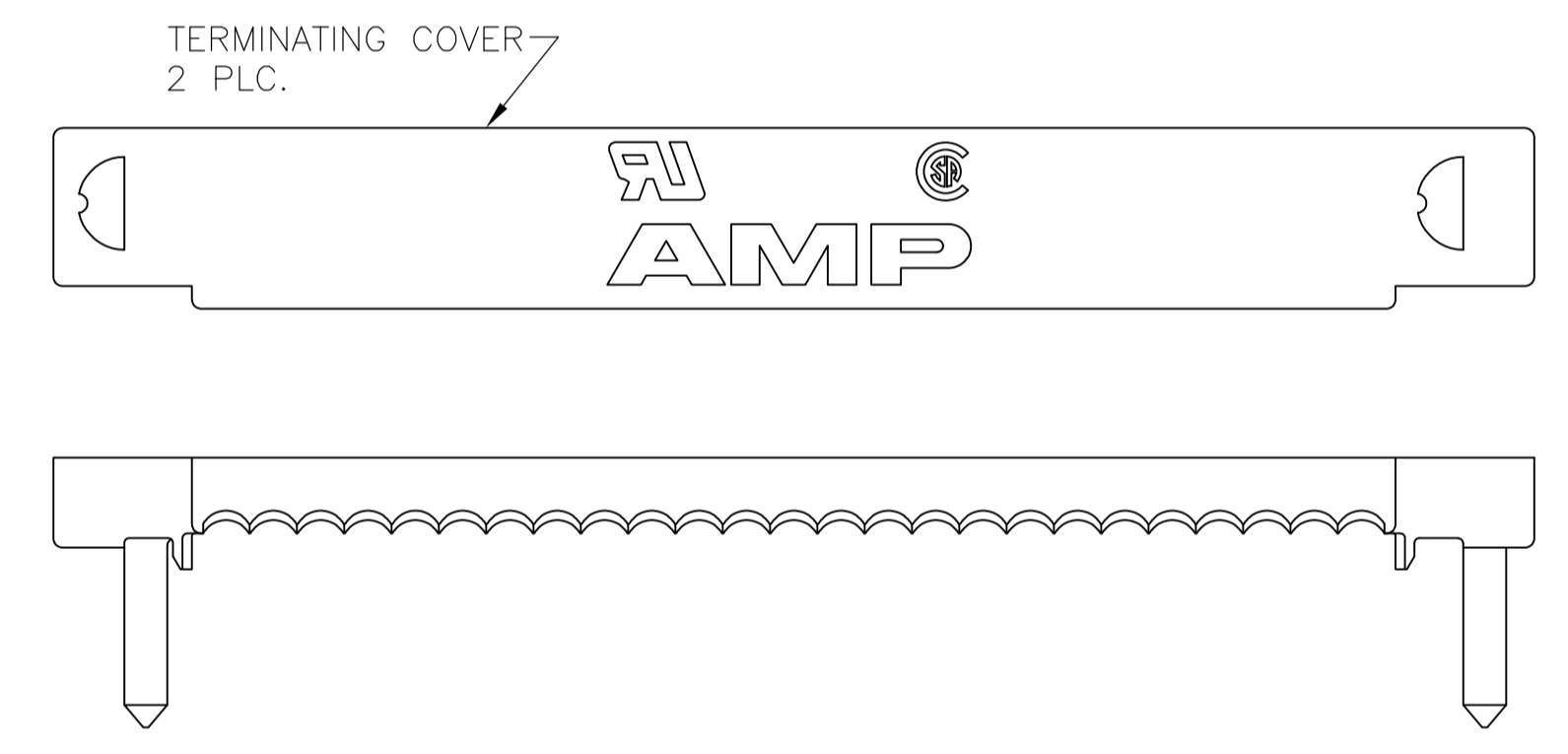
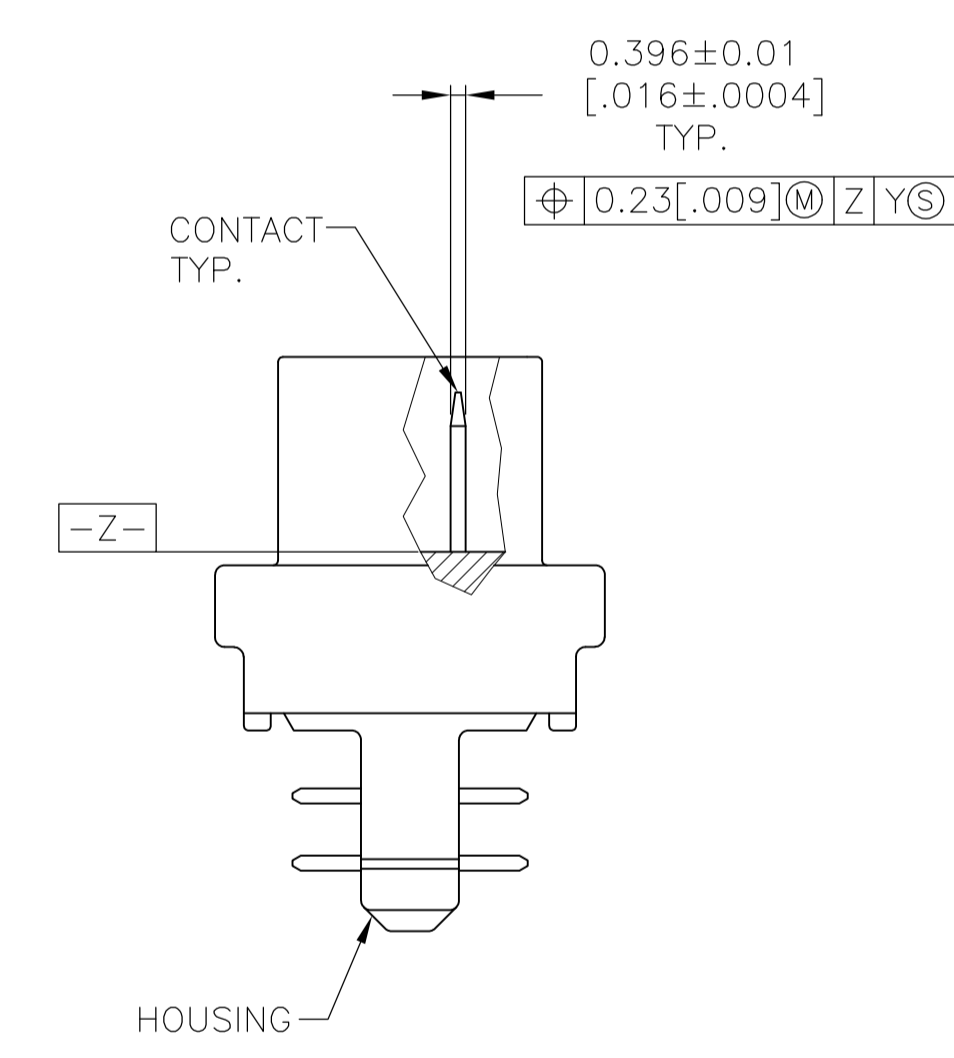
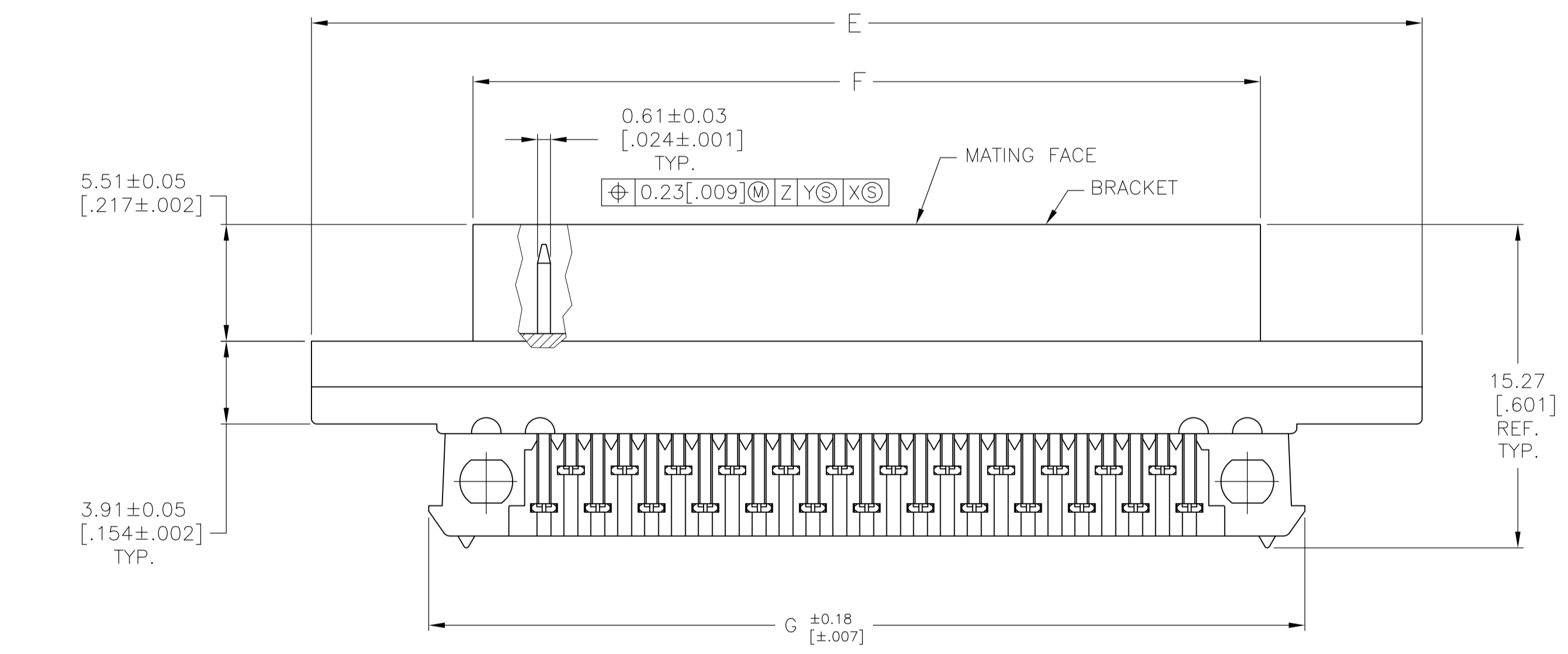


- 1 MATERIAL—
CONTACTS: PHOSPHOR BRONZE.
BRACKET: ZINC.
HOUSING & TERMINATING COVERS: POLYESTER, BLACK, UL 94V-0 RATED.
- 2 FINISH—
CONTACTS: EITHER 0.76µm [.000030] MIN GOLD PLATE OR GOLD FLASH OVER PALLADIUM NICKEL PLATE, 0.76µm [.000030] MIN TOTAL FOR A LENGTH OF 3.35 [.132] MIN FROM MATING END, 1.27µm [.000050] MIN TIN-LEAD IN TERMINATION AREA, ALL OVER 1.27µm [.000050] MIN NICKEL.
BRACKET: 5.08µm [.000200] MIN NICKEL OVER 7.62µm [.000300] MIN COPPER.
- 3. RECOMMENDED WIRE:
28 AWG OR 30 AWG, SOLID OR 7 STRANDED, PVC INSULATION WITH A 0.74-0.91 [.029-.036] INSULATION DIA.
- 4. COVERS PACKAGED SEPARATE FROM CONNECTORS IN SAME SHIPPING CONTAINER.
- 5 FINISH—
CONTACTS: EITHER 0.76µm [.000030] MIN GOLD PLATE OR GOLD FLASH OVER PALLADIUM NICKEL PLATE, 0.76µm [.000030] MIN TOTAL FOR A LENGTH OF 3.35 [.132] MIN FROM MATING END, 1.27µm [.000050] MIN TIN IN TERMINATION AREA, ALL OVER 1.27µm [.000050] MIN NICKEL.
BRACKET: 5.08µm [.000200] MIN NICKEL OVER 7.62µm [.000300] MIN COPPER.
- 6 ROHS 2002/95/EC COMPLIANT



	6	5	52.81 [2.079]	48.62 [1.914]	63.88 [2.515]	20.96 [.825]	41.91 [1.650]	46.28 [1.822]	57.91 [2.280]	68	5-750722-7
OBSOLETE	-	-	73.13 [2.879]	68.94 [2.714]	84.20 [3.315]	31.12 [1.225]	62.23 [2.450]	66.60 [2.622]	78.23 [3.080]	100	750722-9
		2	52.81 [2.079]	48.62 [1.914]	63.88 [2.515]	20.96 [.825]	41.91 [1.650]	46.28 [1.822]	57.91 [2.280]	68	750722-7
OBSOLETE	-	-	41.38 [1.629]	37.19 [1.464]	52.45 [2.065]	15.24 [.600]	30.48 [1.200]	34.85 [1.372]	46.48 [1.830]	50	750722-1
			FINISH	G	F	E	D	C	B	A	NO OF POSN.
											PART NO.

THIS DRAWING IS A CONTROLLED DOCUMENT.

DIMENSIONS: mm [INCHES]	TOLERANCES UNLESS OTHERWISE SPECIFIED: 0 PLC ± - 1 PLC ± - 2 PLC ± 0.13[.005] 3 PLC ± - 4 PLC ± - ANGLES ± -	DIN L. SIPE 02/27/91 CHK: J. McCLINTON 3-8-91 APVD: J. SAUNDER 3-8-91	Tyco Electronics Corporation Harrisburg, PA 17105-3608
MATERIAL 1	SEE TABLE	PRODUCT SPEC 108-1228	NAME PLUG KIT, UNASSEMBLED, PANEL MOUNT, FLAT TOP, .050 SERIES, AMPLIMITE
		APPLICATION SPEC 114-40029	SIZE A1
		WEIGHT -	CAGE CODE 750722
		CUSTOMER DRAWING	RESTRICTED TO SCALE 5:1 SHEET 1 OF 1 REV AA