



# PUIaudio



Data Sheet

HD-VA2527

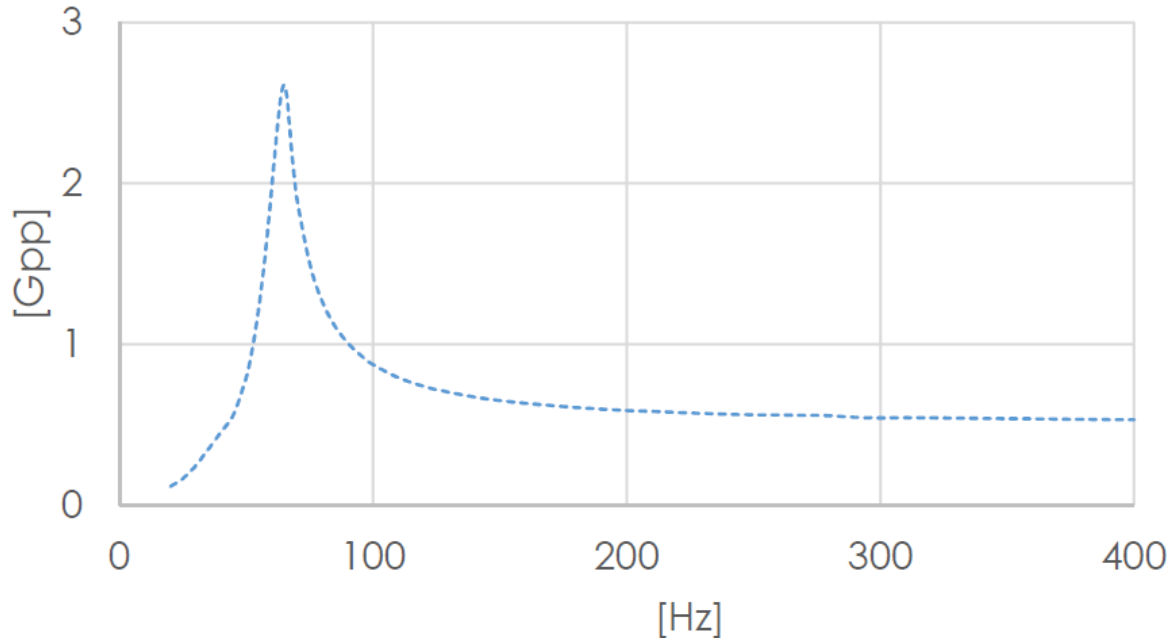
## Features:

- Fast response times over a wide frequency range
- Maximum acceleration of 2.61 Gp-p measured at 65 Hz.
- Cylindrical form allows for a variety of implementations

## Specifications

Parameters	Values	Units
Input Voltage (@ 200 Hz)	1.0	V <sub>rms</sub>
Max Voltage (@ 200 Hz)	3.0	V <sub>rms</sub>
Power Consumption	0.04	W
Nominal Impedance DCR	5.7	Ohms
Acceleration Frequency (Max)	65	Hz
Vibration Acceleration	2.61	Gp-p
Rise Time 0-90%	< 80	ms
Fall time 100-10%	< 80	ms
Polarity	Acceleration generated to top side when input positive voltage into plus side pad.	-
Environmental Compliances	RoHS/REACH	-
Weight	28	Grams
Storage Temperature	-20 ~ +60	°C
Operating Temperature	0 ~ +50	°C

## Vibration Acceleration

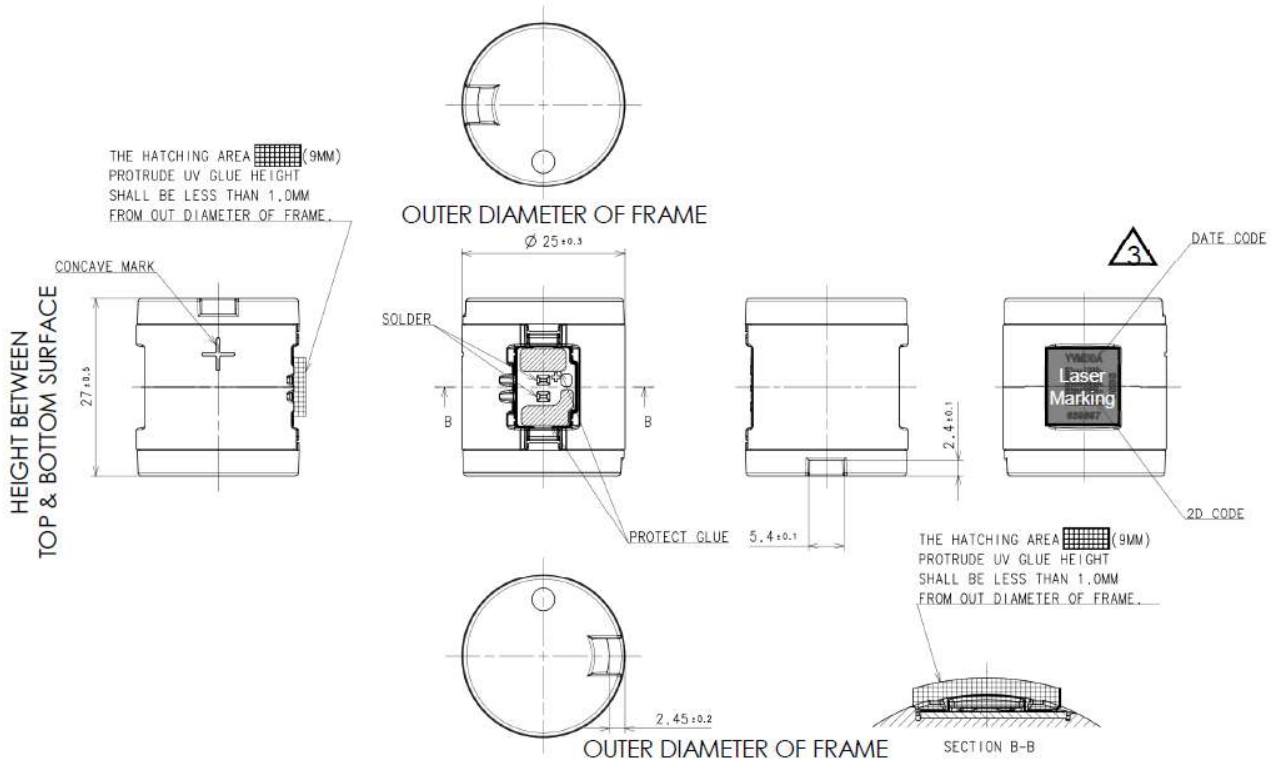


## Reliability Testing

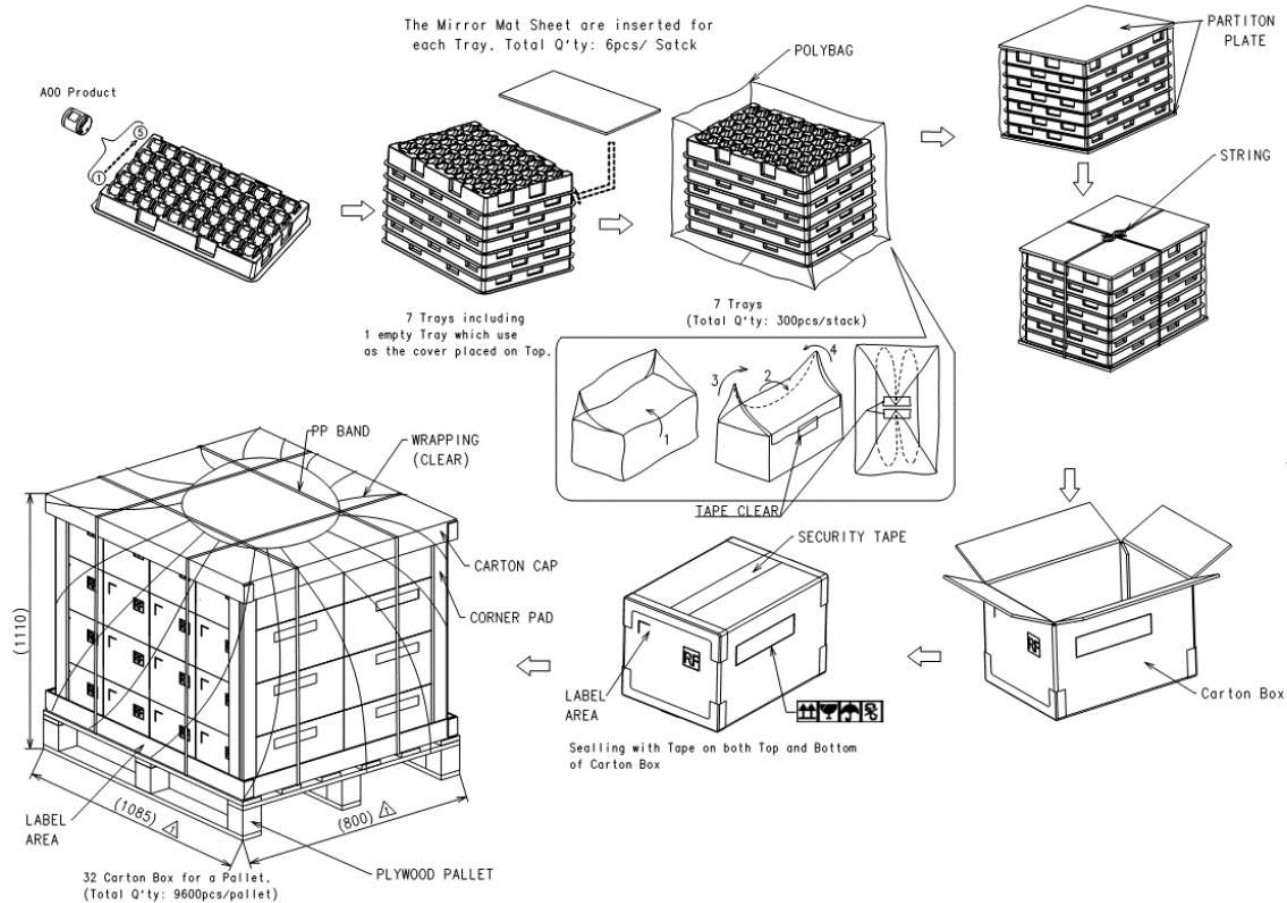
Type of Test	Test Specifications
High Temperature Test	Temperature: +50°C Test Duration Time: 8 hours
Low Temperature Test	Temperature: 0±2°C Test Duration Time: 8 hours
Humidity Test	Temperature: 35°C Relative Humidity: 90 to 95% Test Duration Time: 8 hours
Temperature Cycle Testing	Run cycle shown 1 times 
Vibration Test	Test Axis: XYZ Test Repetition: 60 minutes per axis (30 minutes total)
Drop Test	Sample with 200g Mass is dropped only one time for 6 surfaces onto P-tile from the 1.7m height

**Acceleration frequency characteristics shall be within tolerance after each test.**

## Dimensions



## Packaging



**Specifications Revisions**

<b>Revision</b>	<b>Description</b>	<b>Date</b>
A	RELEASED FROM ENGINEERING	07/20/2022

Note:

- 1. Unless otherwise specified:
  - A. All dimensions are in millimeters.
  - B. Default tolerances are  $\pm 0.5\text{mm}$  and angles are  $\pm 3^\circ$ .ssw
- 2. Specifications subject to change or withdrawal without notice.