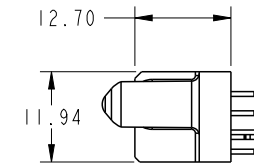
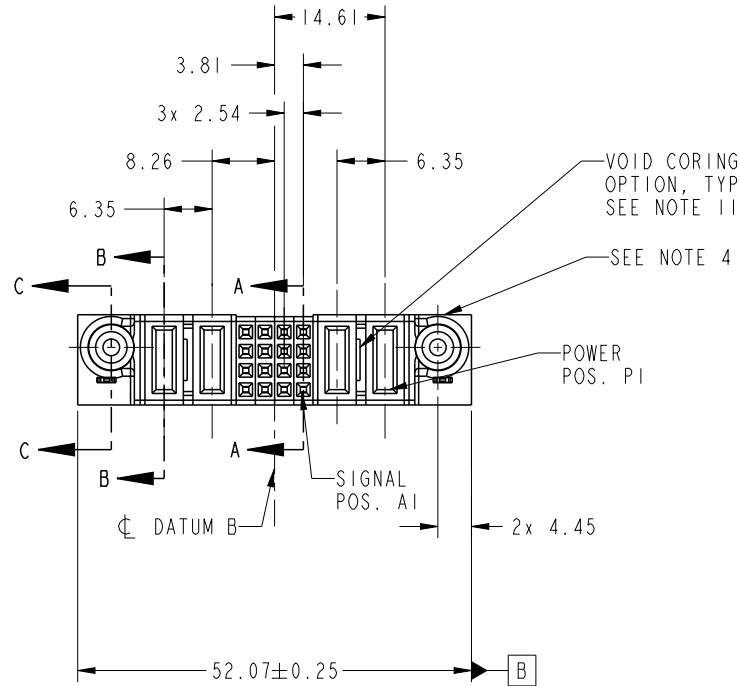


PRODUCT NO. 51940-563LH-- NOTE: 3	ROWS D C B A	POWER		SIGNAL			POWER				
		E2	P4	P3	4	3	2	1	P2	P1	E1
			PA	PA	E	E	E	E	PA	PA	

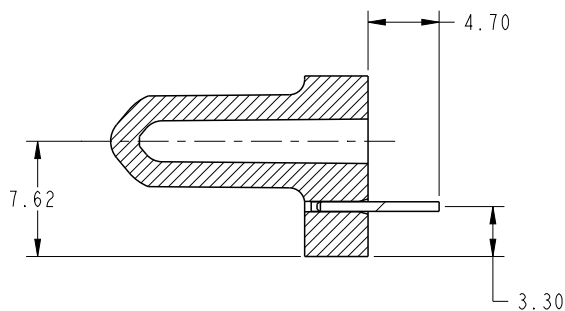
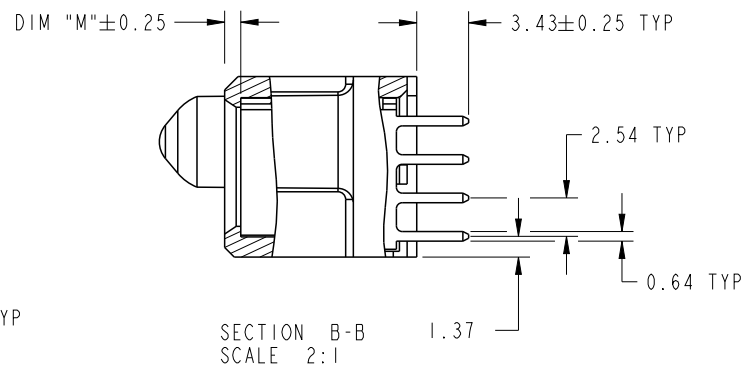
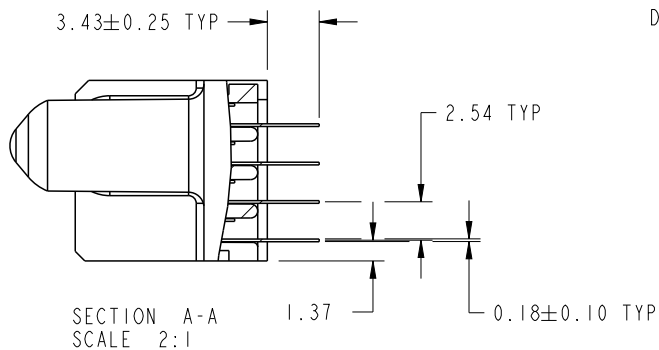


CODE	DIM "M" MATING LENGTH	CONTACT TYPE
E	[N/A]	SIGNAL
PA	[1.07]	POWER
HA	[N/A]	HOLD-DOWN

spec ref	*	dr	Ruan MT	2014/12/19	projection	MM	size	A4	scale	1:1
tolerance std	TOLERANCES UNLESS OTHERWISE SPECIFIED	eng	Ruan MT	2015/01/19		←→	ecn no	-	rel level	Released
SEE NOTE		chr	-	-						
surface	linear	appr	Pei-Ming Zheng	2015/01/19	product family	PwrBlade				
	angular									
	0.X	±0.5		www.fci.com	title	2P + 16S + 2P	dwg no	51940-563LH	rev	A
	0.XX	±0.25								
	0.XXX	±0.1								
	0°	±2°	cat. no.	*	Product - Customer Drw	sheet 1 of 4				

PRODUCT NUMBER

51940-563LH\_  
NOTE: 3



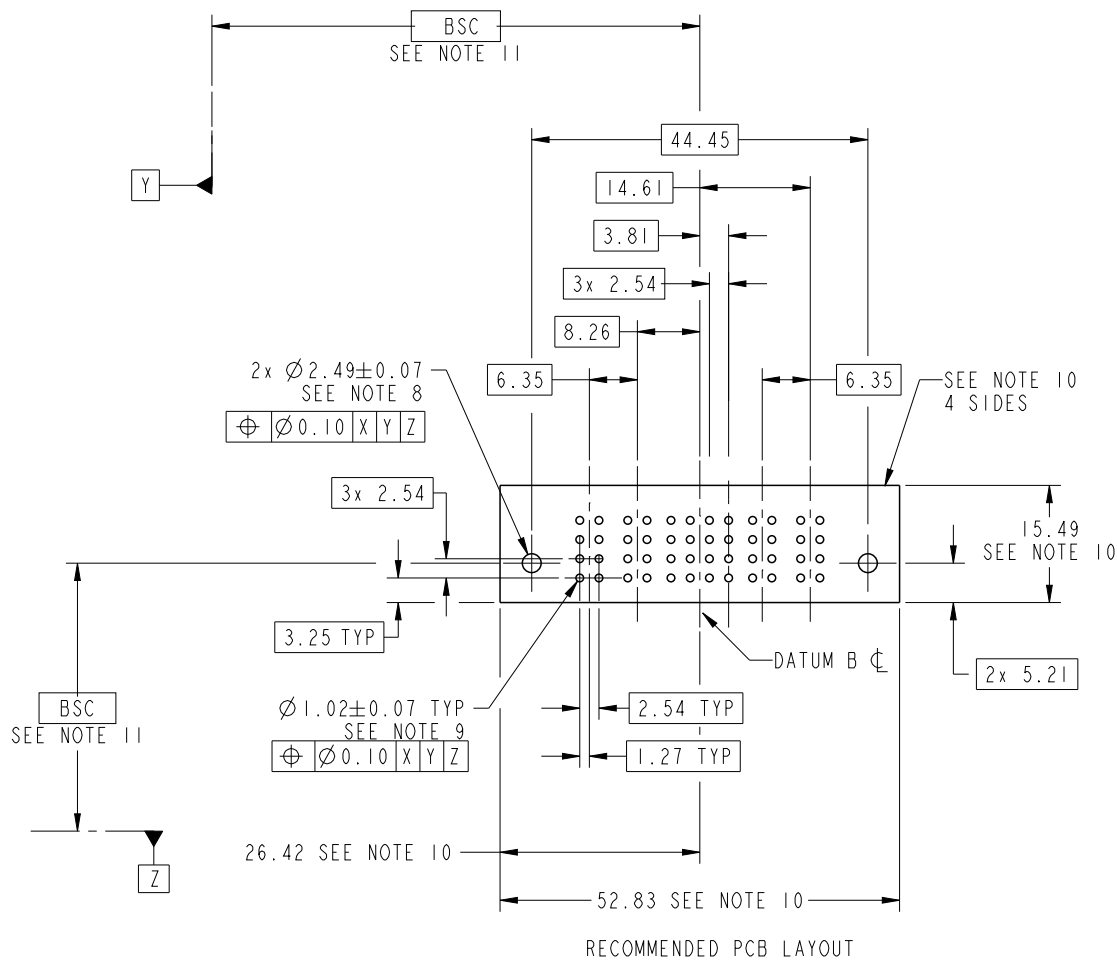
dr	Ruan MT	2014/12/19	projection 	MM 	size	A4	scale	1:1
eng	Ruan MT	2015/01/19			ecn no	-		
chr	-	-			rel level	Released		
appr	Pei-Ming Zheng	2015/01/19	product family	PwrBlade				
		title 2P + 16S + 2P VERTICAL STB RECEPT	dwg no 51940-563LH	rev A				
www.fci.com		cat. no.	*	Product - Customer Drw	sheet 2 of 4			



Copyright FCI.

PRODUCT NUMBER

51940-563LH\_  
NOTE: 3



dr	Ruan MT	2014/12/19	projection 	MM 	size	A4	scale	1:1	
eng	Ruan MT	2015/01/19			ecn no	-			
chr	-	-			rel level	Released			
appr	Pei-Ming Zheng	2015/01/19	product family	PwrBlade					
		title 2P + 16S + 2P VERTICAL STB RECEPT		dwg no 51940-563LH		rev A			
www.fci.com		cat. no. *		Product - Customer Drw			sheet 3 of 4		

PRODUCT NUMBER

51940-563LH\_  
NOTE: 3

NOTES:

1. DIMENSIONS AND TOLERANCES ARE IN ACCORDANCE WITH ASME Y14.5M, 1994 UNLESS OTHERWISE SPECIFIED.

CONNECTOR NOTES:

② HOUSING MATERIAL: UL 94 V-0 GLASS FILLED HIGH-TEMP THERMOPLASTIC  
POWER CONTACT MATERIAL: COPPER ALLOY  
SIGNAL PIN MATERIAL: COPPER ALLOY

3. SEE ITEM 5 & 6 IN PRINT 10064183 FOR PLATING SPEC OF 51940-563LH AND 51940-563LHLF RESPECTIVELY.

④ MANUFACTURER'S NAME, DATE CODE AND OPTIONAL P/N TO APPEAR ON THIS SURFACE. THE MARK CAN BE OMITTED IF THERE IS NOT ENOUGH SPACE ON THIS SURFACE.

5. PRODUCT SPECIFICATION GS-12-149.  
APPLICATION SPECIFICATION BUS-20-067.

6. PACKAGED IN TRAYS.

PCB NOTES:

7. ALL HOLE DIAMETERS ARE FINISHED HOLE SIZE.

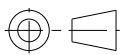
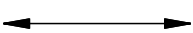

⑧ MOUNTING HOLES, WHERE APPLICABLE, ARE UNPLATED.

⑨  $\varnothing 1.151 \pm 0.025$  DRILLED HOLES PLATED WITH  
0.008 MIN SnPb OR Sn OVER 0.03  
TO 0.08 Cu PLATING TO ACHIEVE  
 $\varnothing 1.02 \pm 0.07$  HOLE.

⑩ CONNECTOR KEEP-OUT ZONE.

11. THE VOID CORING IN BETWEEN POWER MODULES, SIGNAL MODULES AND END MODULES ARE OPTIONAL AND THE SHAPE MAY BE DIFFERENT FOR OPTIMIZE THE MOLDING PROCESS. THE VOID CORING WILL NOT EFFECT TO PRODUCT FUNCTION.

⑫ DATUM AND BASIC DIMENIONS ARE ESTABLISHED BY CUSTOMER.

dr	Ruan MT	2014/12/19	projection 	MM 	size	A4	scale	1:1			
eng	Ruan MT	2015/01/19			ecn no	-					
chr	-	-			product family	PwrBlade	rel level	Released			
appr	Pei-Ming Zheng	2015/01/19			title	2P + 16S + 2P		dwg no	51940-563LH	rev	A
www.fci.com		cat. no.	*	Product - Customer Drw			sheet 4 of 4				