

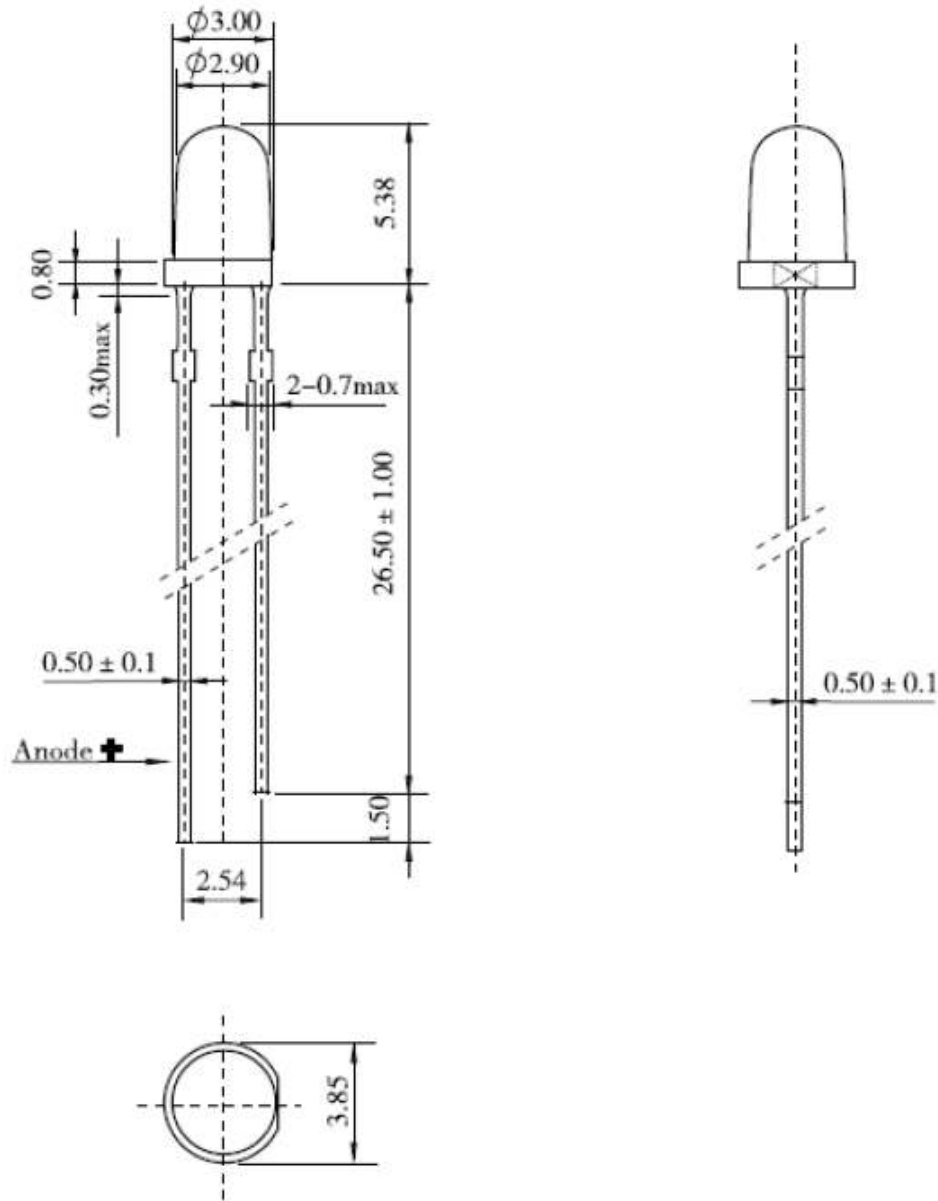


American Opto Plus LED Corp.

L314YD

3mm Yellow LED Lamp

PACKAGE DIMENSION



Chip material	Color Emitted	Lens Color	View Angle
GaAsP/GaP	Yellow	Yellow Diffused	30°

Note

1. All dimensions are in millimeter; tolerance is $\pm 0.25\text{mm}$ unless otherwise specified



American Opto Plus LED Corp.

L314YD

3mm Yellow LED Lamp

ABSOLUTE MAXIMUM RATINGS

(Ta=25°C)

	Symbol	Max. Ratings	Unit
Power Dissipation	P_d	60	mW
Reverse Voltage	V_R	5	V
Continuous Forward Current	I_{AF}	25	mA
Temperature Coefficient	I/C	0.33	mA/°C
Pulse Current	I_{PF}	100	mA
Operating Temperature Range	T_{opr}	-25~+85	°C
Storage Temperature Range	T_{stg}	-30~+100	°C
Soldering Temperature	T_{sd}	260°C/5 set	

OPTICAL-ELECTRICAL CHARACTERISTICS

(Ta=25°C)

	Symbol	Test Condition	Min	Typ	Max	Unit
Forward Voltage	V_F	$I_F=20mA$	--	2.1	2.5	V
Peak Wavelength	λ_P		--	589	--	nm
Dominant Wavelength	λ_D		--	590	--	nm
Luminous Intensity	I_V		19.0	37.2	--	mcd
Spectrum Radiation Bandwidth	$\Delta\lambda$		--	35	--	nm
Viewing angle	$2\theta_{1/2}$		--	30	--	Deg
Reverse Current	I_R	$V_R=5V$	--	--	50	μA

Notes:

1. Luminous Intensity Measurement allowance is $\pm 10\%$
2. $2\theta_{1/2}$ is the off-axis angle at which the luminous intensity is half the axial luminous intensity
3. The dominant wavelength is derived from the CIE chromaticity diagram and represents the single wavelength which defines the color of the device



American Opto Plus LED Corp.

L314YD

3mm Yellow LED Lamp

TYPICAL ELECTRO-OPTICAL CHARACTERISTIC CURVES

