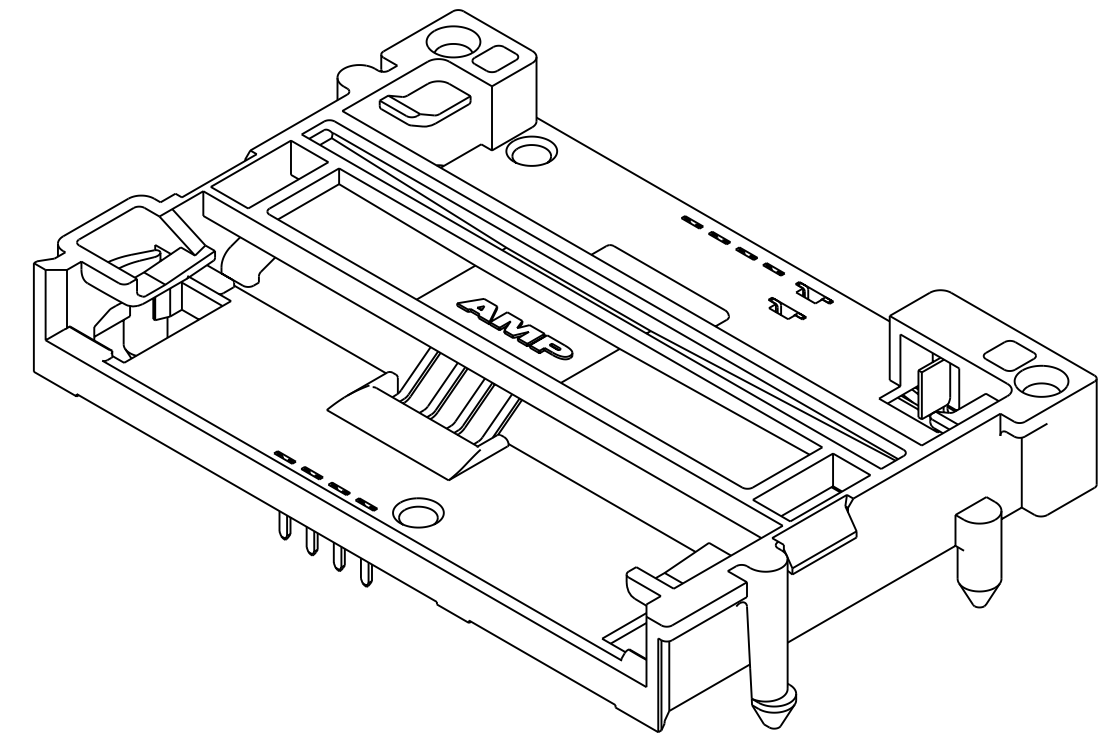
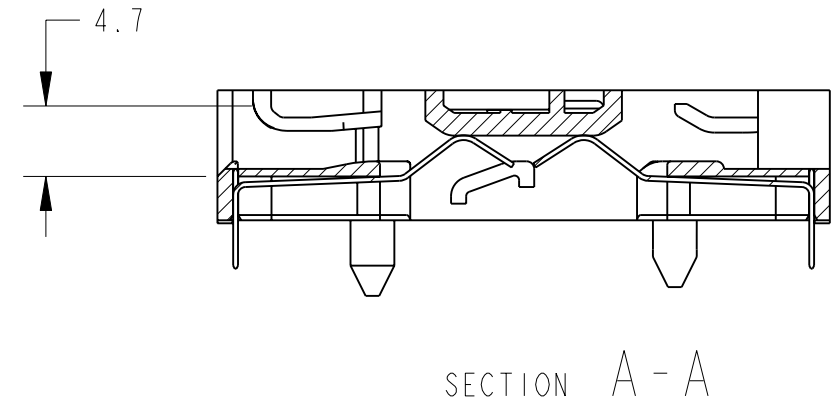
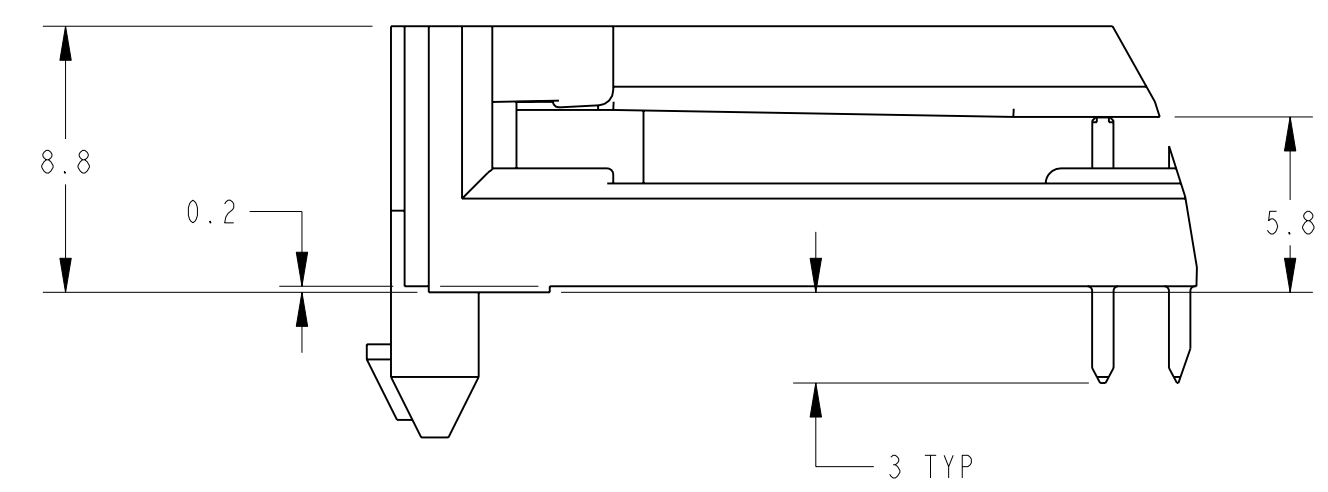
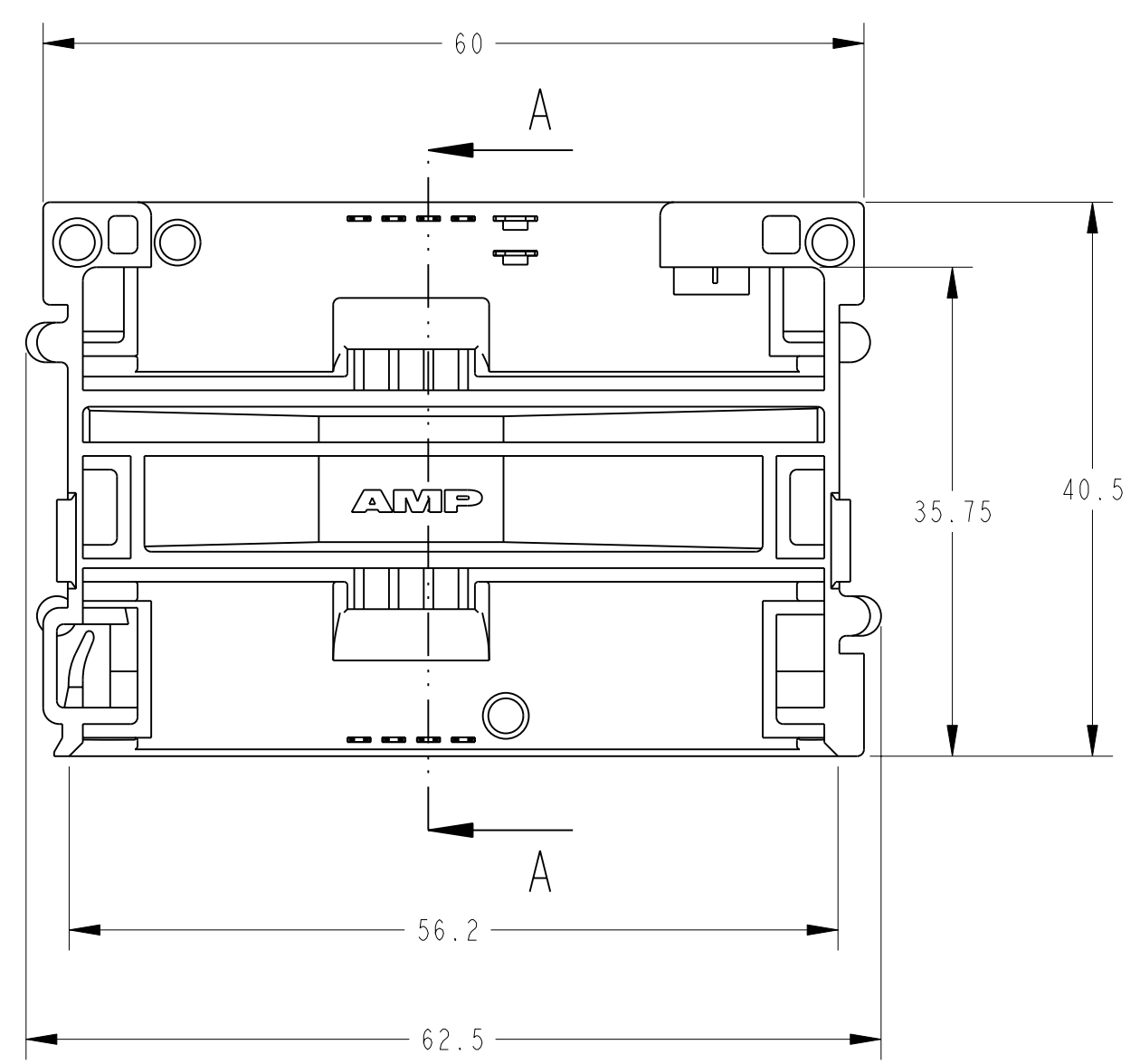
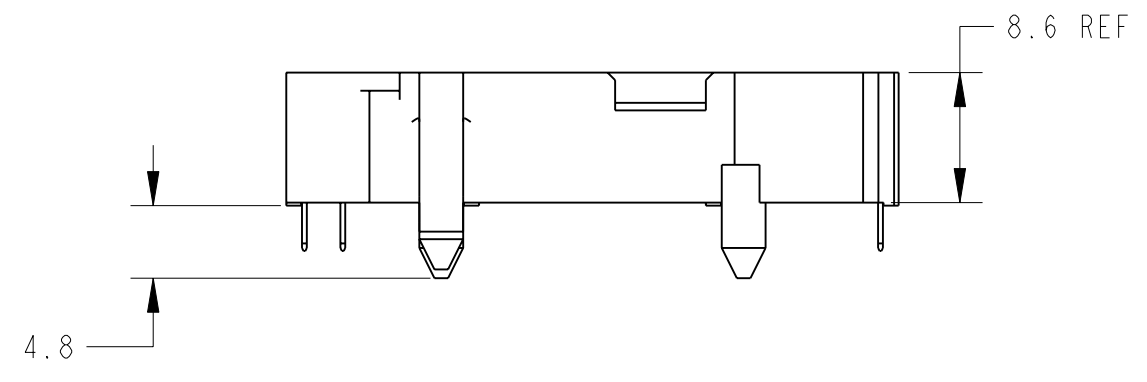
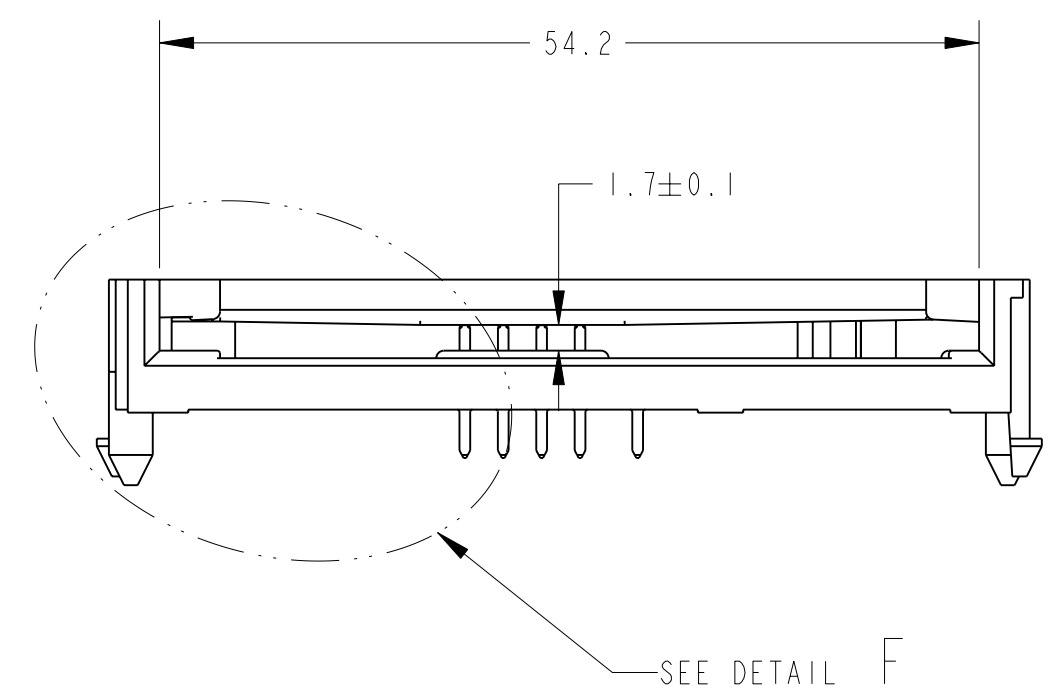


THIS DRAWING IS UNPUBLISHED. RELEASED FOR PUBLICATION  
 © COPYRIGHT - ALL RIGHTS RESERVED.

| LOC |     | DIST          |             | REVISIONS |      |  |  |
|-----|-----|---------------|-------------|-----------|------|--|--|
| P   | LTR | DESCRIPTION   | DATE        | DWN       | APVD |  |  |
|     | BI  | ECR-11-004915 | 08 MAR 2011 | GG        | PKS  |  |  |
|     |     |               |             |           |      |  |  |
|     |     |               |             |           |      |  |  |



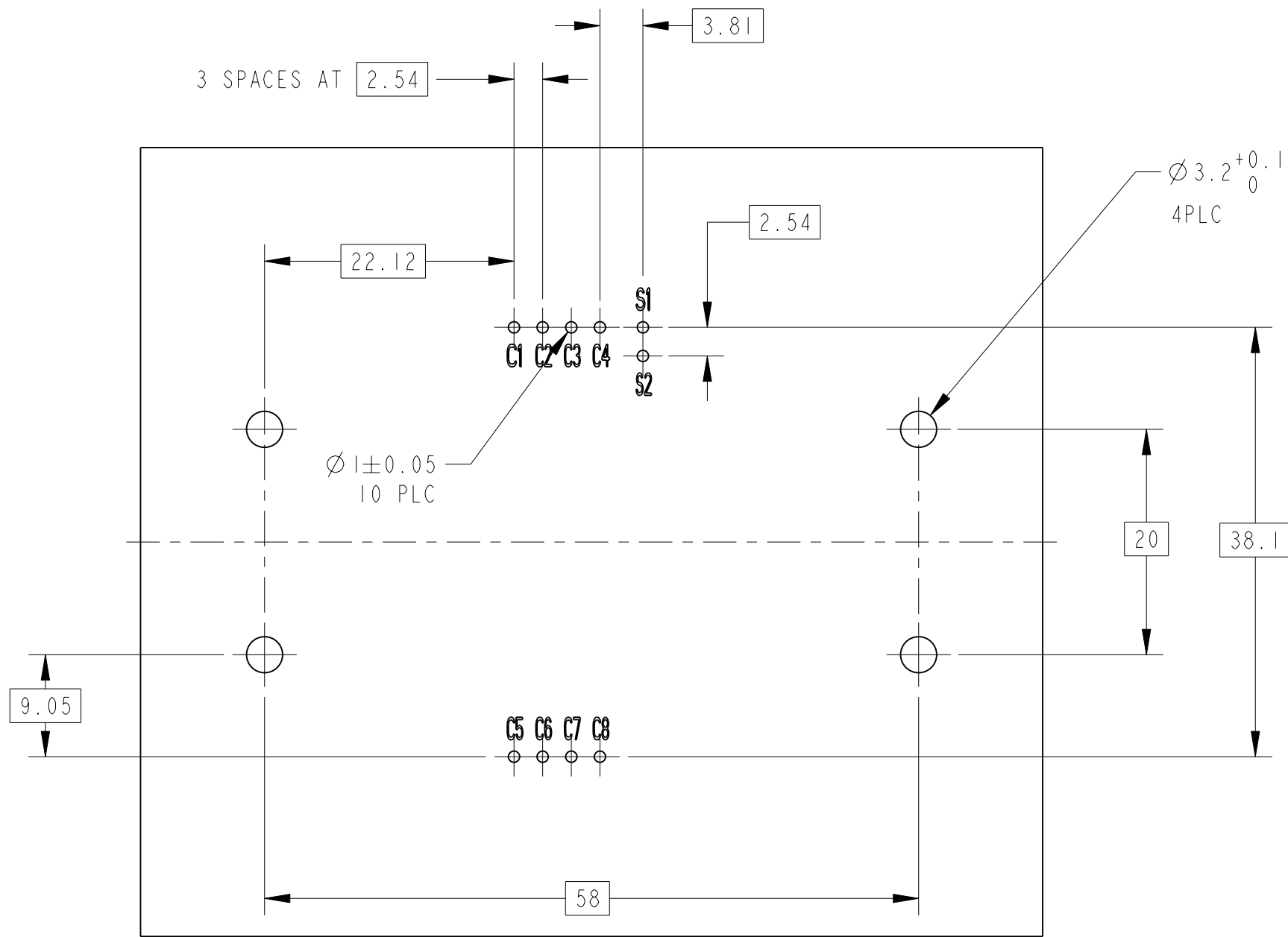
- NOTES:
- CONTACTS PLATING :
- 1 OVERALL: Ni 2µm MIN, ALL OVER THE CONTACTS.  
 SOLDER ZONE: Sn 2.5µm MIN ON THE SOLDER ZONE OF THE CONTACTS.  
 MATING ZONE: PLATING CONFIRMS TO PRODUCT REQUIREMENTS AS PER SPECIFICATION 108-15202.
  - 2 MATERIAL :  
 HOUSING: PBT-GF, BLACK UL 94V0.  
 CONTACTS: PHOSPHOR BRONZE.
  - 3 TE SMART CARD RECEPTACLE DESIGNED TO ACCEPT ISO 7810-7816 TYPE INTEGRATED CIRCUIT SMART CARDS (0.76MM REF. THICKNESS) SEE SHEET 2/2



P/N : 5953501-1

|  |  |                   |           |   |                 |
|--|--|-------------------|-----------|---|-----------------|
| THIS DRAWING IS A CONTROLLED DOCUMENT. |  | DWN<br>R. Coolen  | 02-Dec-04 | <b>STE</b> TE Connectivity  |                 |
| DIMENSIONS:<br>mm                      |  | CHK<br>W. Jansen  |           |   |                 |
| TOLERANCES UNLESS OTHERWISE SPECIFIED: |  | APVD<br>P. Jaeger |           | NAME<br>SMART CARD CONNECTOR,<br>VARIABLE THICKNESS,<br>THRU HOLE |                 |
| 0 PLC ±0,3                             |  | PRODUCT SPEC      | 108-15202 | SIZE<br>A2  | CAGE CODE       |
| 1 PLC ±0,3                             |  | APPLICATION SPEC  |           | DRAWING NO<br>C-5953501   | RESTRICTED TO   |
| 2 PLC ±0,3                             |  |                   |           | SCALE<br>2:1  | SHEET<br>1 OF 2 |
| 3 PLC ±                                |  |                   |           | REV<br>BI   |                 |
| 4 PLC ±                                |  |                   |           |   |                 |
| ANGLES ±5                              |  | WEIGHT            | -         |   |                 |
| FINISH                                 |  | CUSTOMER DRAWING  |           |   |                 |

THIS DRAWING IS UNPUBLISHED. RELEASED FOR PUBLICATION  
 © COPYRIGHT - ALL RIGHTS RESERVED.



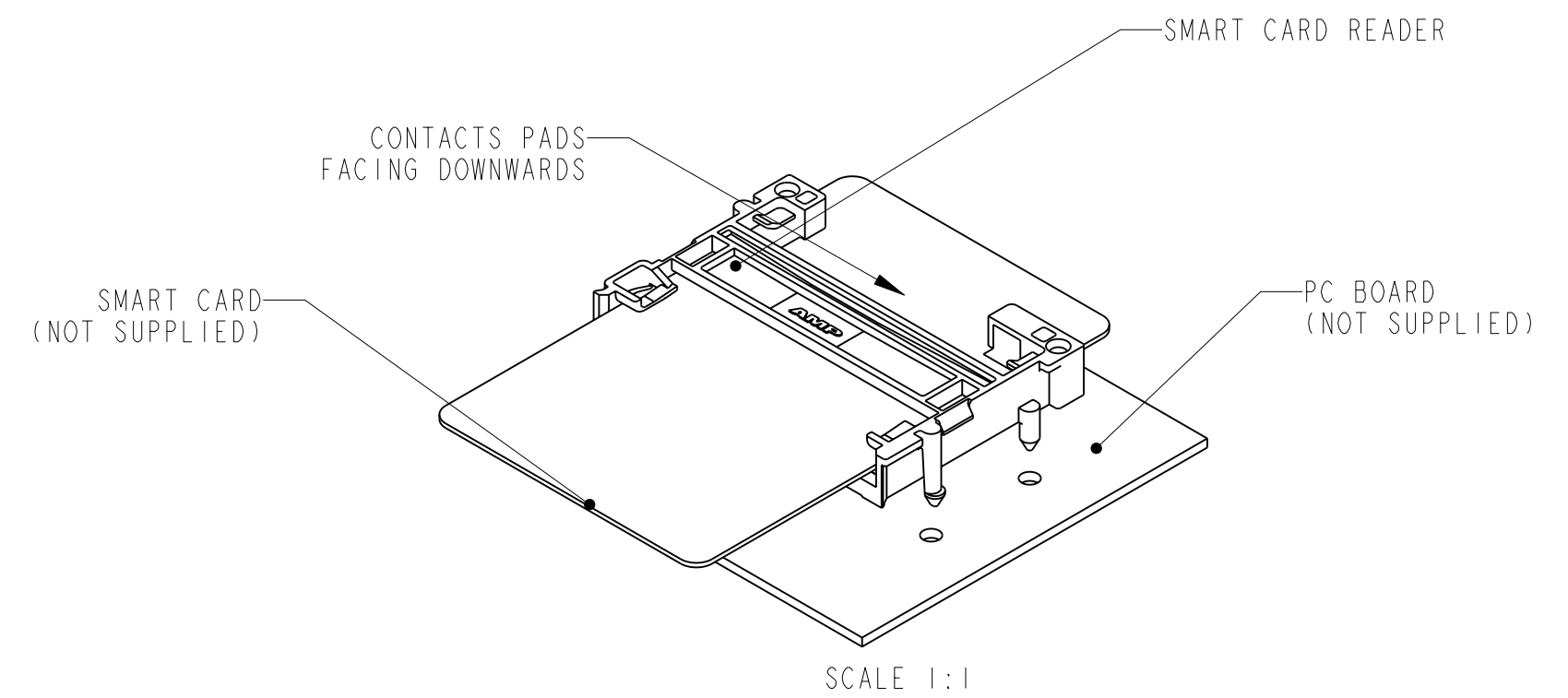
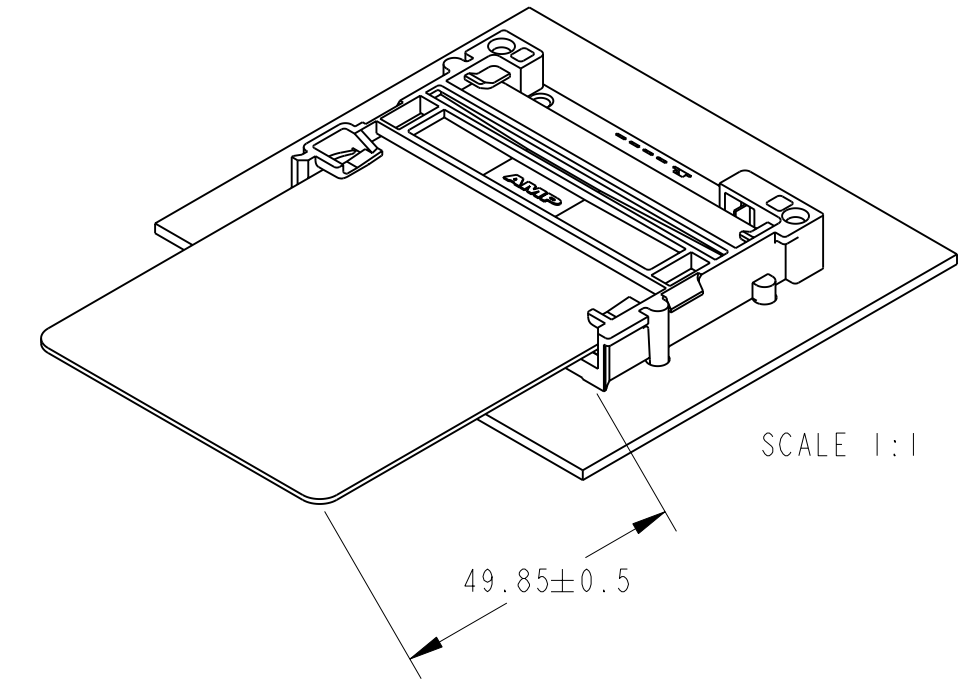
ECHELLE 2:1

(CONNECTOR SIDE)

POSITION TOLERANCE FOR ALL HOLES  $\oplus \text{ } \ominus \text{ } \varnothing 0.13$

**RECOMMENDED PCB LAYOUT**  
PCB BOARD THICKNESS 1.57±0.1 (.062)

| LOC | DIST | REVISIONS   |      |     |      |  |
|-----|------|-------------|------|-----|------|--|
| P   | LTR  | DESCRIPTION | DATE | DWN | APVD |  |
| IR  | -    | SEE SHEET 1 | -    | -   | -    |  |
|     |      |             |      |     |      |  |
|     |      |             |      |     |      |  |



### PCB MOUNTING CONFIGURATION

|   |   |                       |              |                        |                     |   |
|---|---|-----------------------|--------------|------------------------|---------------------|---|
| THIS DRAWING IS A CONTROLLED DOCUMENT.  |   | DWN<br>R. Coolen      | 02-Dec-04    |                        | <br>TE Connectivity |   |
| DIMENSIONS:<br>mm   |   | CHK<br>W. Jansen      | -            |                        |                     | NAME<br>SMART CARD CONNECTOR,<br>VARIABLE THICKNESS,<br>THRU HOLE |
| TOLERANCES UNLESS OTHERWISE SPECIFIED:  |   | APVD<br>P. Jaeger     | -            |                        |                     |   |
| 0 PLC ±0,3<br>1 PLC ±0,3<br>2 PLC ±0,3<br>3 PLC ±<br>4 PLC ±<br>ANGLES ±5<br>FINISH |   | PRODUCT SPEC<br>-     | -            |                        |                     | SIZE<br>A2  |
| MATERIAL  | - | APPLICATION SPEC<br>- | WEIGHT<br>-  | CAGE CODE<br>C-5953501 | DRAWING NO<br>-     |   |
| CUSTOMER DRAWING  |   |                       | SCALE<br>2:1 | SHEET<br>2             | OF<br>2             |   |
|   |   |                       | REV<br>B1    |                        | RESTRICTED TO<br>-  |   |