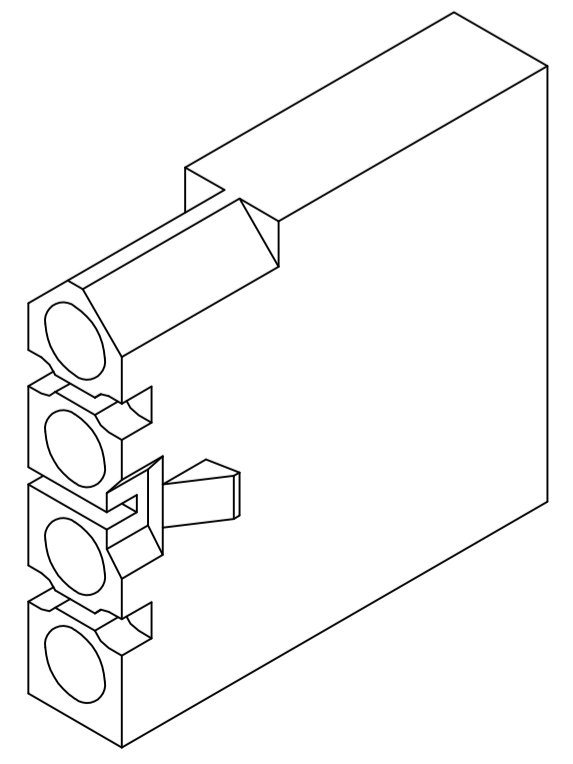
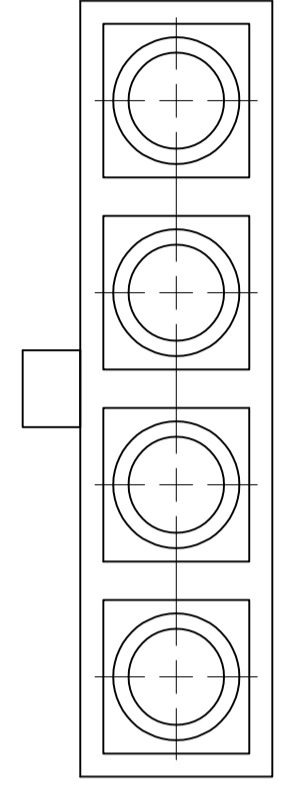
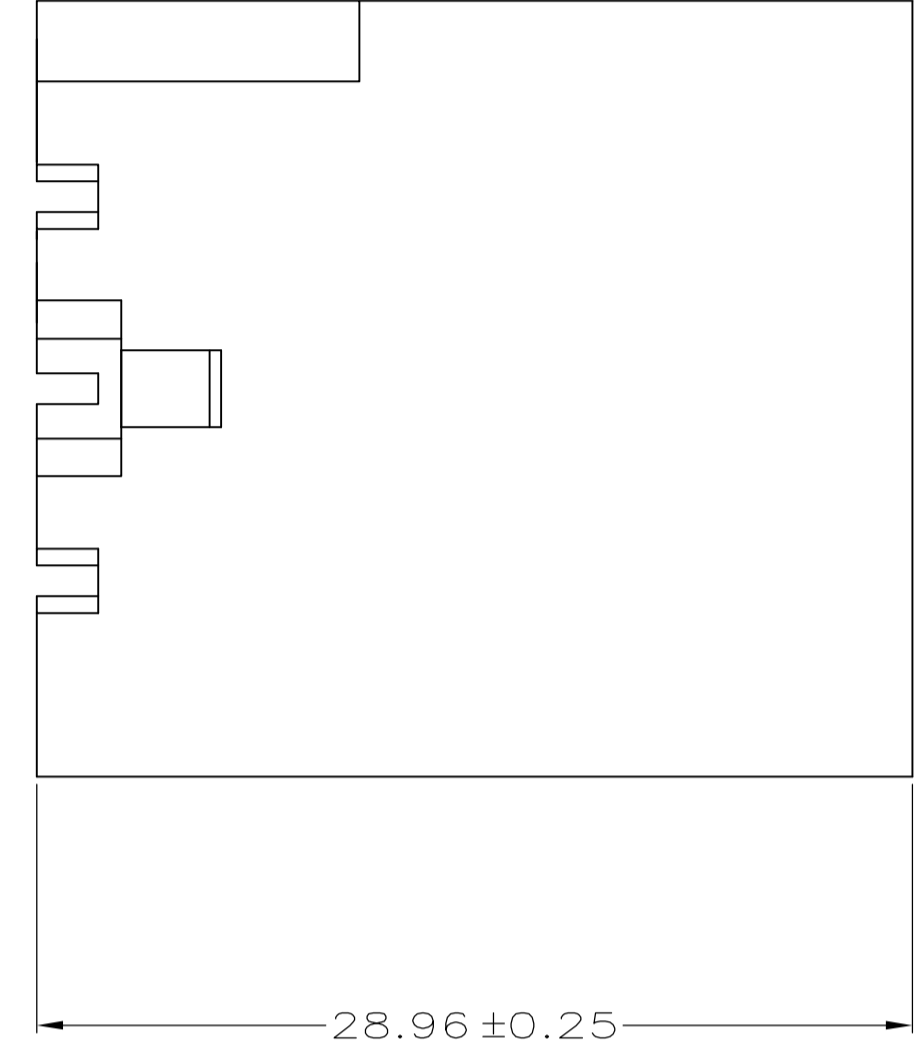
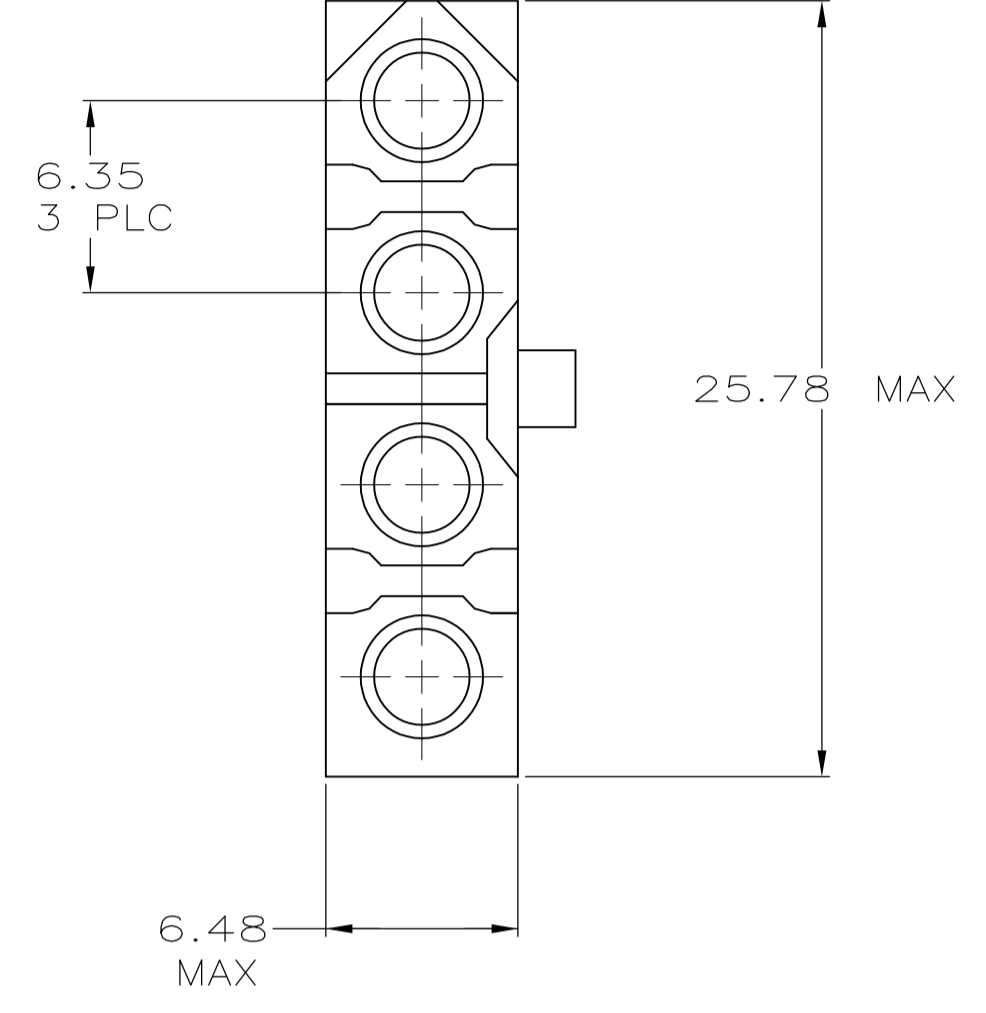
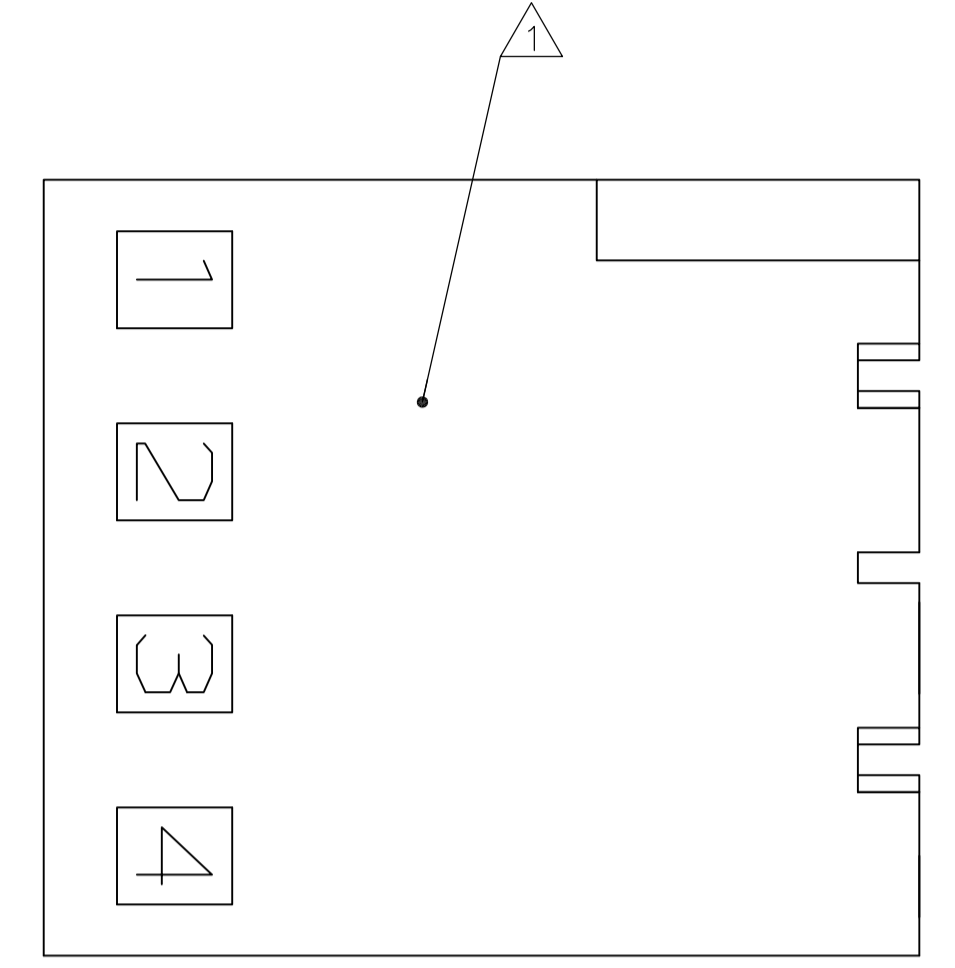


AMP LOGO LOCATED THIS SURFACE.



3-DIMENSIONAL MODEL NTS

28.96	1.140
25.78	1.015
6.48	.255
6.35	.250
0.25	.010
0.13	.005
MM	IN
CONVERSION TABLE	

770337-1
PART NUMBER

THIS DRAWING IS A CONTROLLED DOCUMENT.		DIN K. WHITAKER 10-24-97	
		CHK R. SWING 10-24-97	
DIMENSIONS:	TOLERANCES UNLESS OTHERWISE SPECIFIED:	APVD K. COBLE 10-24-97	NAME
mm	0. PLC ± - 1. PLC ± - 2. PLC ± 0.13 3. PLC ± - 4. PLC ± - ANGLES ± -	PRODUCT SPEC 108-1037	RECEPTACLE, 4 CIRCUIT, .250 PIN AND SOCKET
		APPLICATION SPEC 114-1013	SIZE
MATERIAL NYLON,	FINISH -	WEIGHT -	A1 00779 C=770337
		CUSTOMER DRAWING	RESTRICTED TO -
		SCALE 4:1	SHEET 1 OF 1 REV F1