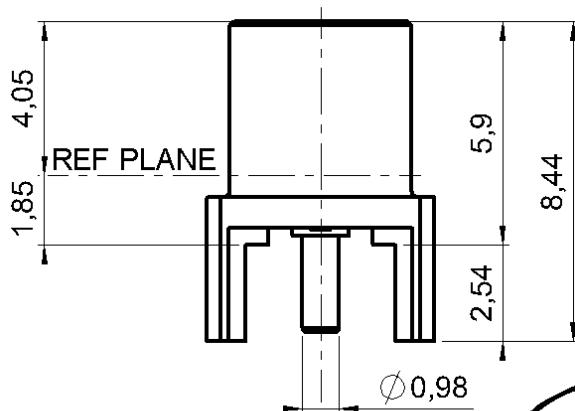
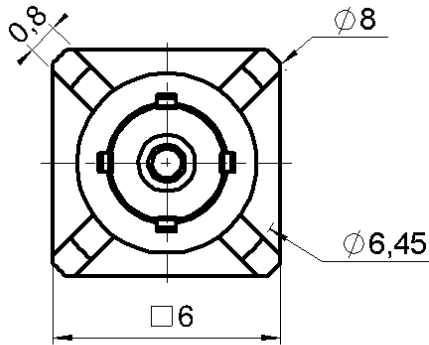


STRAIGHT JACK RECEPTACLE FOR PCB

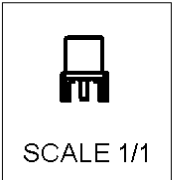
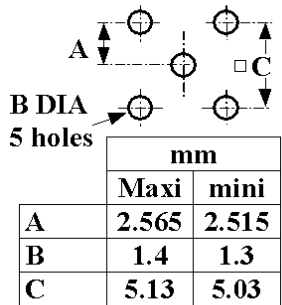
R113.426.130

SOLDER LEGS

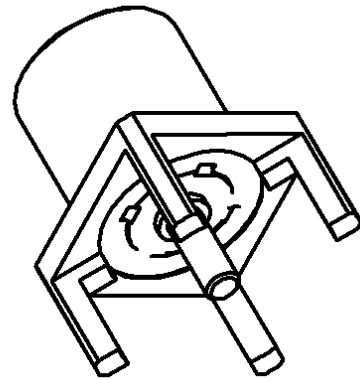
Series : MCX



PANEL CUT OUT



All dimensions are in mm.



COMPONENTS	MATERIALS	PLATINGS (µm)
BODY	BRASS	GOLD 0.2 OVER NICKEL 2
CENTER CONTACT	BERYLLIUM COPPER	GOLD 1.3 OVER NICKEL 2
OUTER CONTACT	-	-
INSULATOR	PTFE	-
GASKET	-	-
OTHERS PARTS	-	-
-	-	-
-	-	-

Issue : 9918 C

In the effort to improve our products, we reserve the right to make changes judged to be necessary.



STRAIGHT JACK RECEPTACLE FOR PCB

R113.426.130

SOLDER LEGS

Series : MCX

PACKAGING

SPECIFICATION

Standard	Unit	Other
100	'W' option	Contact us

CABLE ASSEMBLY

ELECTRICAL CHARACTERISTICS

Stripping	a	b	c	d	e	f
mm	0.00	0.00	0.00	0.00	0.00	0.00

Impedance		50	Ω
Frequency		0-6	GHz
VSWR	1.05 +	0.050	x F(GHz) Maxi
Insertion loss		0.03	\sqrt{F} (GHz) dB Maxi
RF leakage	- (NA	- F(GHz)) dB mini
Voltage rating		335	Veff Maxi
Dielectric withstanding voltage		1000	Veff mini
Insulation resistance		1000	M Ω mini

Assembly instruction : **NA**

Recommended cable(s)

MECHANICAL CHARACTERISTICS

Cable retention

- pull off **NA** N mini
- torque **NA** N.cm

Center contact retention			
Axial force – Mating end		10	N mini
Axial force – Opposite end		10	N mini
Torque		NA	N.cm mini

TOOLING

Part Number	Description	Hexagon
.	.	.

Recommended torque			
Mating		NA	N.cm
Panel nut		NA	N.cm
Clamp nut		NA	N.cm
A/F clamp nut		0.000	mm

Mating life		500	Cycles mini
Weight		0.000	g

OTHERS CHARACTERISTICS

ENVIRONMENTAL

Operating temperature		-55/+155	$^{\circ}$ C
Hermetic seal		NA	Atm.cm3/s
Panel leakage		NA	

Issue : 9918 C

In the effort to improve our products, we reserve the right to make changes judged to be necessary.

