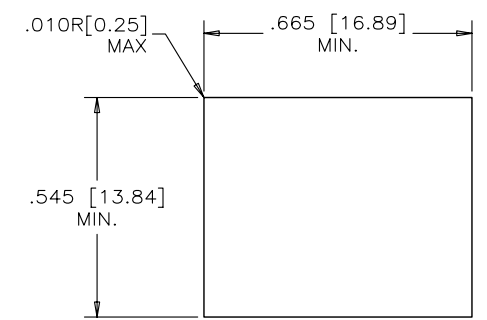
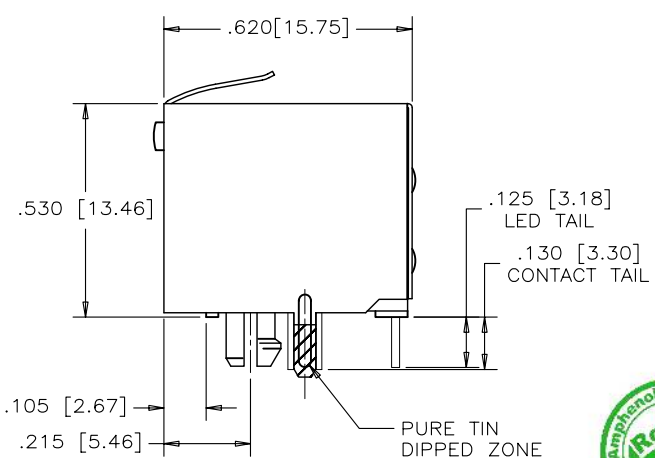
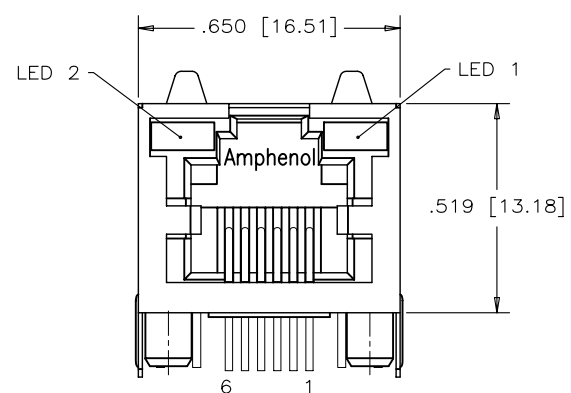
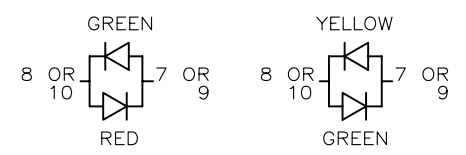


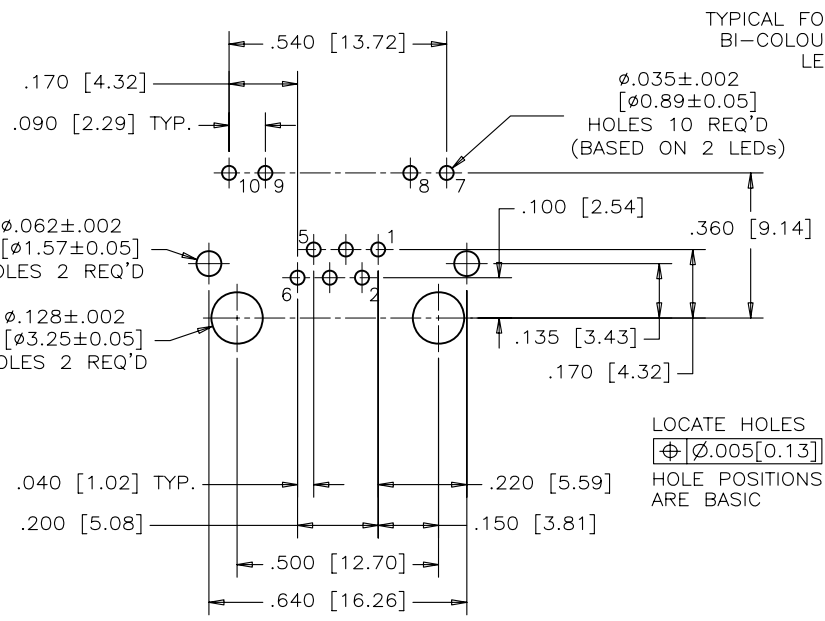
REVISIONS				
SYM	ZONE	ECN, ERN NO.	DATE	APPRD.
A		PER ECN E07162	MAY18/07	L.CHAN



RECOMMENDED PANEL CUTOUT

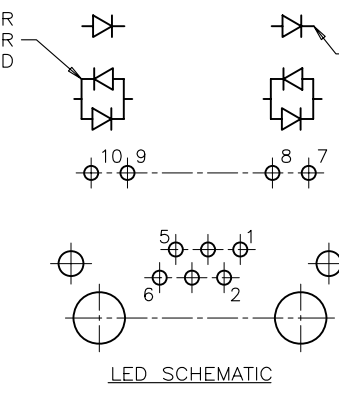


BI-COLOUR LED DETAIL
(RED/YELLOW AND GREEN/ORANGE LED'S ARE ALSO AVAILABLE)



RECOMMENDED P.C.B. LAYOUT
(COMPONENT SIDE OF BOARD)

LOCATE HOLES
 $\phi \pm 0.005$ [0.13]
 HOLE POSITIONS
 ARE BASIC



LED SCHEMATIC

MATERIALS:
 PLASTIC HOUSING: HIGH TEMPERATURE THERMOPLASTIC
 FLAMMABILITY RATING UL 94V-0
 COLOR:BLACK
 CONTACTS: PHOSPHOR BRONZE
 PLATING: 50 μ" [1.27 MICRONS]
 MIN. GOLD ON MATING SURFACES.
 50 μ" [1.27 MICRONS]
 MIN. NICKEL UNDERPLATE
 100 μ" [2.54 MICRONS]
 MIN. MATTE TIN ON CONTACT TAILS.
 SHIELD: COPPER ALLOY
 PLATING: NICKEL WITH PURE TIN DIPPED TAIL.

PART NUMBER: RJHSE-736X-A1-X

REFER TO LED OPTIONS DRAWING
 FOR ORDERING CODES

**DATA CONTROL
 RELEASE**
 DEPT. NO.--626--
 DATE: MAR28,2007

DRAWN	J.OUYANG	DATE	MAY18/07
DESIGNED			
CHECKED	CHIGOW.XU		MAY18/07
I. E. APPRD.	JEFF.S		MAY18/07
Q. A. APPRD.	KENT.Y		MAY18/07
DWG. APPRD.			
ENG. REL. NO.	ECN E07162	DWG	DRAWING NO.
REF.	EAR #A070511		P-RJHSE-736X-A1-X
DIMENSIONS ARE IN	CODE ID. NO.	SCALE	WT. ----- SURF. ----- SHEET 1 OF 1
INCHES [mm]	03554		

Amphenol Canada Corp.

TITLE HIGH SPEED MODULAR JACK,
 6 POSITIONS, 6 STAMPED CONTACTS,
 SHIELDED, WITH LED'S - RoHS COMPLIANT

THIS DOCUMENT CONTAINS PROPRIETARY INFORMATION AND SUCH INFORMATION
 MAY NOT BE DISCLOSED TO OTHERS FOR ANY PURPOSE OR USED FOR MANUFACTURING
 PURPOSES WITHOUT WRITTEN PERMISSION FROM AMPHENOL CANADA CORP.