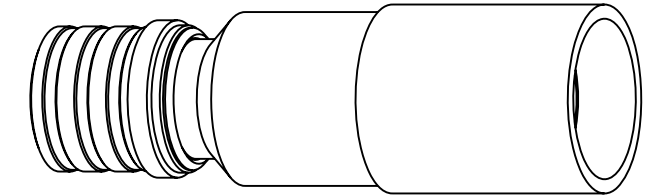
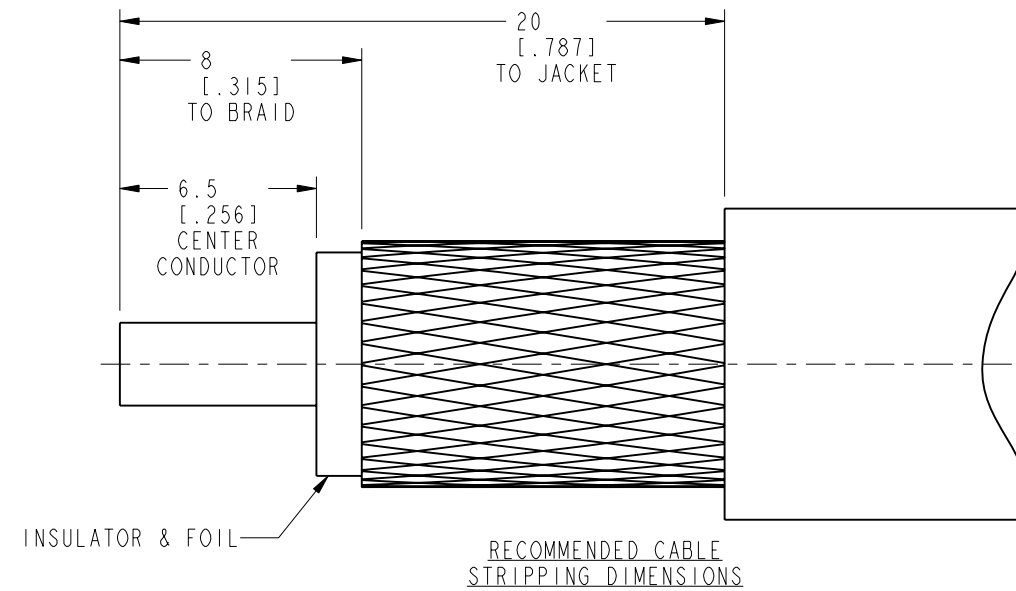


NOTES:

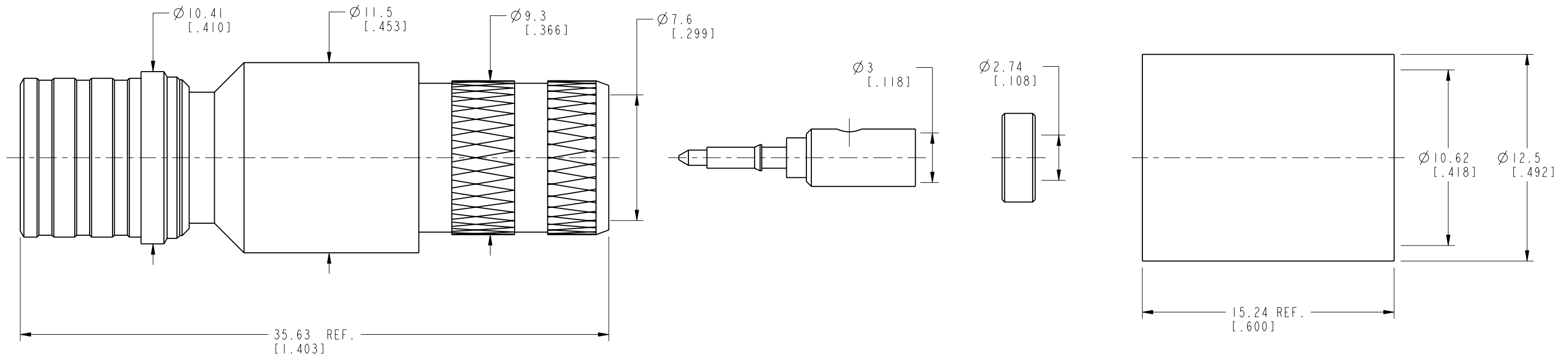
1. MATERIALS AND FINISHES:
 BODY & SLEEVE - BRASS, WHITE BRONZE PLATING
 CONTACT - BRASS, GOLD PLATING
 OUTER CONTACT - PHOS. BRONZE, WHITE BRONZE PLATING
 FERRULE - COPPER, WHITE BRONZE PLATING
 INSULATOR - PTFE, NATURAL
2. ELECTRICAL:
 A. IMPEDANCE: 50 OHM
 B. FREQUENCY RANGE: DC-12.4 GHz
 C. RETURN LOSS: 20dB MIN DC-8 GHz.
 D. DIELECTRIC WITHSTANDING VOLTAGE: 1000 VRMS, MIN.
3. MECHANICAL:
 A. DURABILITY: 100 CYCLES MIN.
 B. TEMPERATURE RANGE: -40° C TO 85° C
4. PACKAGING:
 A. QUANTITY: SINGLE PACK
 B. MARKING: PACKAGING TO BE MARKED
 "AMPHENOL RF, 930-255P-5IS DATE CODE"

THIRD ANGLE PROJ.

REVISIONS				
REV	DESCRIPTION	DATE	ECN	APPR
A	RELEASE TO MANUFACTURING	13-Nov-19	13621	CJV



SCALE 2.000



CUSTOMER OUTLINE DRAWING

ALL OTHER SHEETS ARE FOR INTERNAL USE ONLY

UNLESS OTHERWISE SPECIFIED, DIMENSIONS ARE IN METRIC AND TOLERANCES ARE: <0.5mm ±0.05mm 0.5 - 6mm ±0.1mm 6 - 30mm ±0.2mm 30 - 120mm ±0.3mm ANGLES ±1°	MATERIAL	DRAWN	DATE	TITLE		Amphenol RF www.amphenolrf.com	
	SEE NOTES	WIKI	28-Nov-19	QMA PLUG LMR-400			
NOTICE - These drawings, specifications, or other data (1) are, and remain the property of Amphenol corp. (2) must be returned upon request; and (3) are confidential and not to be disclosed to any person other than those to whom they are given by Amphenol Corp. the furnishing of these drawings, specifications, or other data by Amphenol Corp., or to any other person to anyone for any purpose is not to be regarded by implication or otherwise in any manner licensing, granting rights to permitting such holder or any other person to manufacture, use or sell any product, process or design, patented or otherwise, that may in any way be related to or disclosed by said drawings, specifications, or other data.	REFERENCE	ENGINEER	DATE	SCALE: 4.0:1.0 SHEET 2 OF 2		DRAWING NO. 930-255P-5IS	
	EAR# 8710	STAR	3-Dec-19	DWG SIZE		ITEM NO. 930-255P-5IS	
	REF: ---	APPROVED	S. HSIEH	DATE	B	REV	PART NO. 930-255P-5IS
	CONFIGURATION LEVEL: In Work	CAD FILE		3-Dec-19		A	
FINISH							