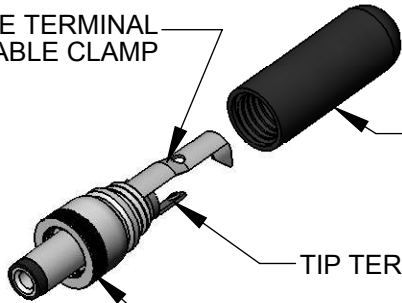


PART NUMBER	HANDLE COLOR
760K	BLACK
765K	RED

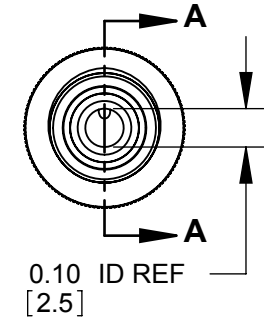
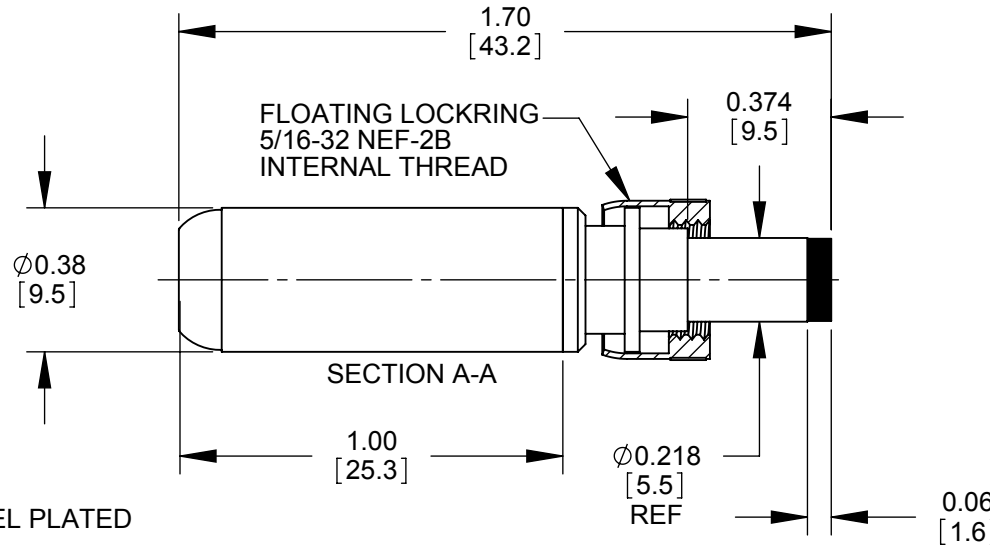
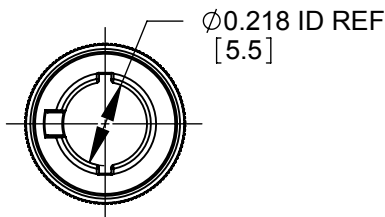
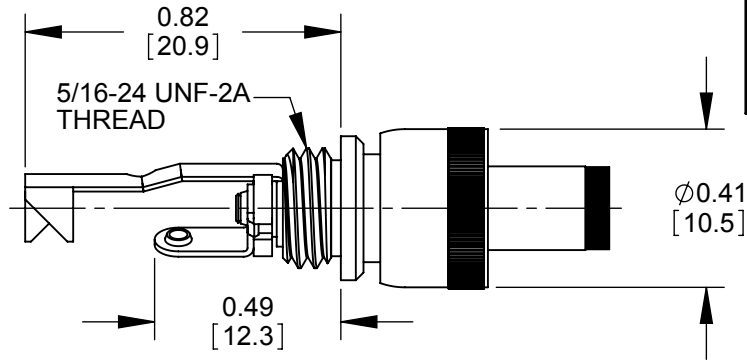
SLEEVE TERMINAL
CABLE CLAMP



HANDLE
SHIPPED
UNASSEMBLED

TIP TERMINAL

COUPLING RING



NOTES:

- MATERIALS:
CONDUCTORS, LOCKRING - BRASS, NICKEL PLATED
TERMINALS - BRASS, TIN PLATED
INSULATORS, HANDLE - THERMOPLASTIC
- THIS PRODUCT IS RoHS COMPLIANT

CUSTOMER DRAWING

					THIS DRAWING DESCRIBES A DESIGN CONSIDERED PROPRIETARY IN NATURE, DEVELOPED AND MANUFACTURED BY SWITCHCRAFT INC. AND IS RELEASED ON A CONFIDENTIAL BASIS FOR IDENTIFICATION PURPOSES ONLY.							
<p>UNLESS OTHERWISE SPECIFIED</p> <p>1. ALL DIMENSIONS IN INCHES</p> <p>- TWO PLACE DECIMALS ±0.02</p> <p>- THREE PLACE DECIMALS ±0.005</p>					SIZE *	WIDTH *	MULT *	LBS/M *	TEMPER *			
					FINISH *				MATERIAL *			
					SPEC No. *				SPEC No. *			
					FIRST USED ON *				SCALE 2:1			
C	25989	11-13-08	JEB	TJK	DATE DRAWN	BY	CHKD	APVD				
REV	ECO NUMBER	DATE	BY	APVD	3-31-09	JEB	JEB	TJK				
REVISIONS					DO NOT SCALE DRAWING							
					NAME Ø 0.10 [2.5]mm x 0.374 LONG POWER PLUG W/LOCKRING, RoHS				PART No.	REV		
									760K-765K	C		

SolidWorks CAD File

