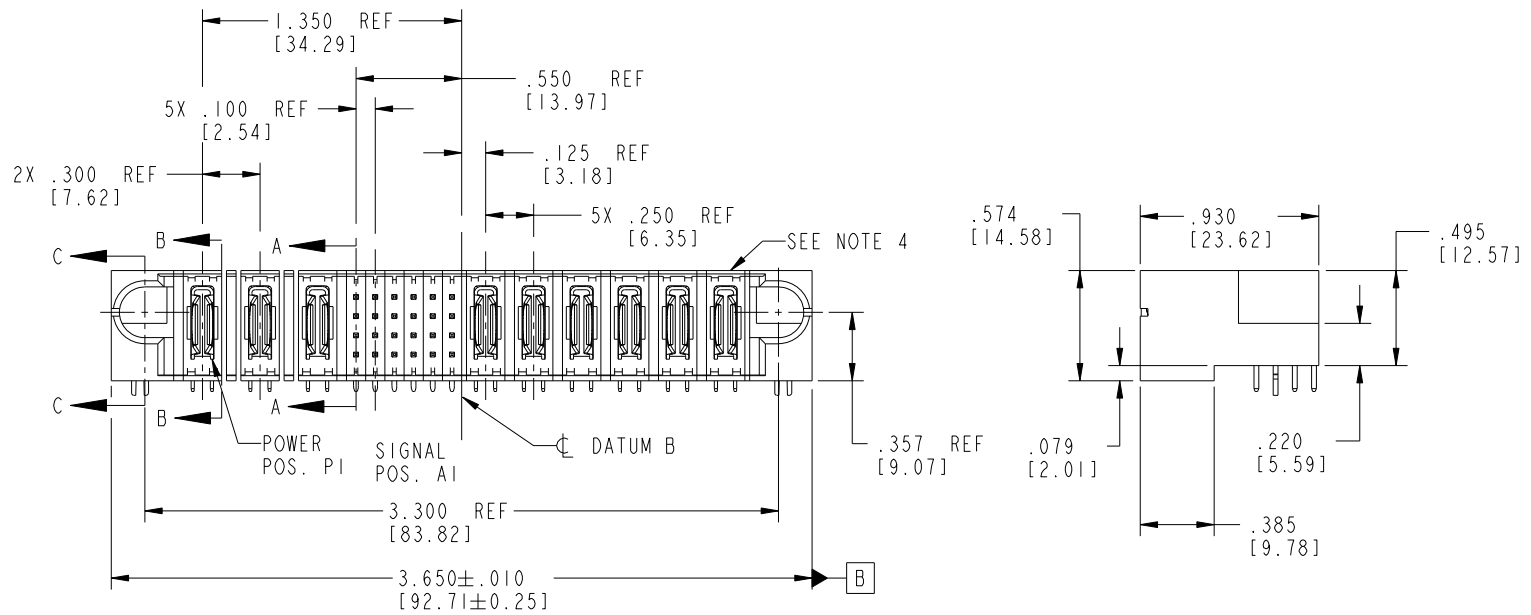
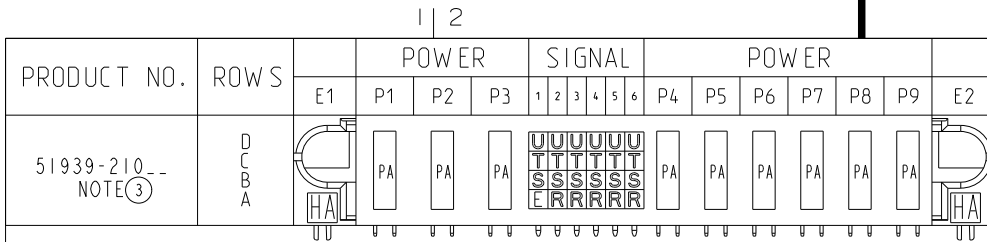


Tous droits strictement réservés. Reproduction ou communication a des tiers interdite sous quelque forme que ce soit sans autorisation écrite du propriétaire. Propriété de c FCI. Droits de reproduction FCI.

All rights strictly reserved. Reproduction or issue to third parties in any form whatever is not permitted without written authority from the proprietor. Property of FCI. Copyright FCI.



CODE	DIM "M" MATING LENGTH	CONTACT TYPE
U	.270 [6.86]	SIGNAL
T	.270 [6.86]	SIGNAL
S	.270 [6.86]	SIGNAL
R	.270 [6.86]	SIGNAL
E	.220 [5.59]	SIGNAL
PA	N/A [N/A]	POWER
HA	N/A [N/A]	HOLD-DOWN

mat'l code				SEE NOTE 2		tolerances unless otherwise specified		CUSTOMER		 www.fciconnect.com		
ltr	ecn no.	dr	date	linear	.XX±.01/0.X±0.3		COPY		title			
A	DG05-0410	CS	10/24/05		.XXX±.005/0.XX±0.13		projection		3ACP + 24S + 6P			
B	DG06-0013	RYAN	01/27/06		.XXX±.0020/0.XXX±0.051				RIGHT ANGLE SOLDER HEADER			
C	DG08-0272	W D	09/25/08	angles	0°+2°				product family			
					dr		CS		PwrBlade		code	
					engr		STEVEN WANG		size		213	
					chr		VICTOR LIN		dwg no		sheet	
				appd		JOSEPH HSIA		scale		1 of 4		
								A		51939-210		
sheet index		revision sheet		C	C	C	C					
		1 2		3	4							

Pro/E

PDM: Rev: C

STAT: Released

Printed: Dec 20, 2010

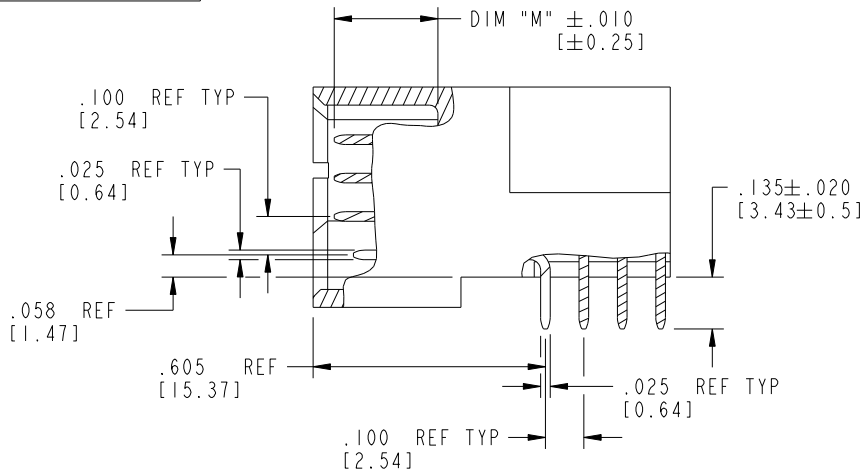
cage code 28526

Tous droits strictement réservés. Reproduction ou communication a des tiers interdite sous quelque forme que ce soit sans autorisation écrite du propriétaire. Propriété de c FCI. Droits de reproduction FCI.

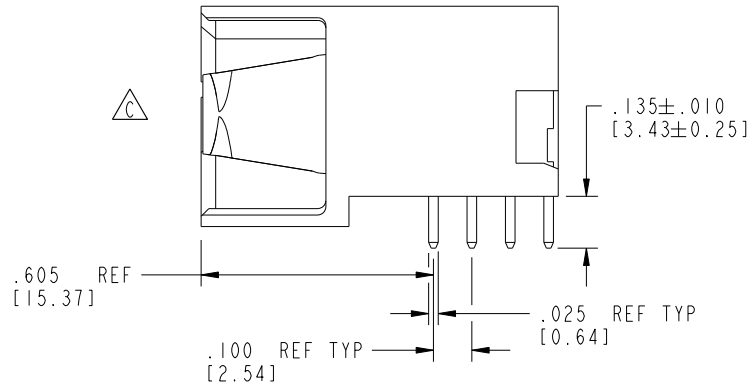
All rights strictly reserved. Reproduction or issue to third parties in any form whatever is not permitted without written authority from the proprietor. Property of FCI. Copyright FCI.



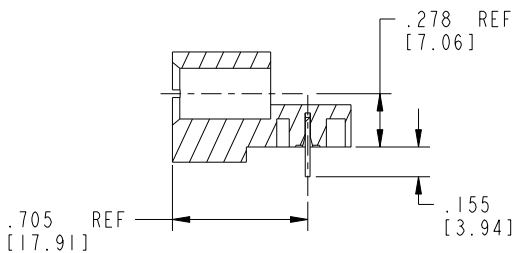
PRODUCT NUMBER  
51939-210--  
NOTE ③



BROKEN-OUT SECTION A-A  
SCALE 2:1



BROKEN-OUT SECTION B-B  
SCALE 2:1



SECTION C-C

mat'l code		SEE NOTE 2		tolerances unless otherwise specified		CUSTOMER		FCI	
lir	ecn no.	dr	date	linear	.XX±.01/0.X±0.3	COPY		www.fciconnect.com	
C				projection	.XX±.005/0.XX±0.13	INCH/MM		title 3ACP + 24S + 6P	
				angles	.XXX±.0020/0.XXX±0.051	1:1		RIGHT ANGLE SOLDER HEADER	
				dr	CS 10/24/05	scale		product family PwrBlade code	
				engr	STEVEN WANG 10/24/05	1:1		size dwg no 213	
				chr	VICTOR LIN 10/24/05			sheet	
				appd	JOSEPH HSIA 10/24/05			2 of 4	
sheet index		revision sheet						A 51939-210	

cage code 2856

Pro/E

PDM: Rev: C

STATUS: Released

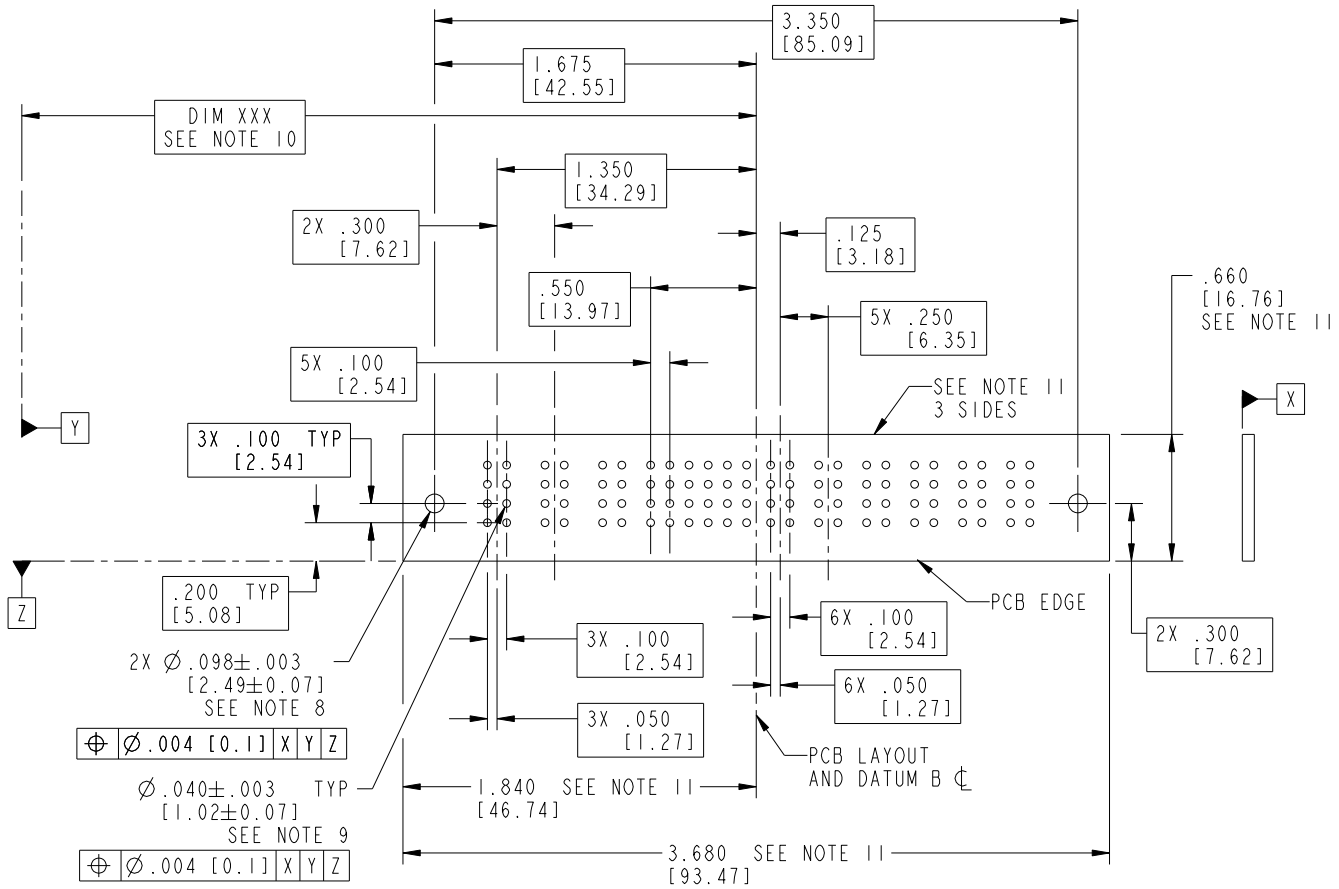
Printed: Dec 20, 2010

Tous droits strictement réservés. Reproduction ou communication a des tiers interdite sous quelque forme que ce soit sans autorisation écrite du propriétaire. Propriété de c FCI. Droits de reproduction FCI.



All rights strictly reserved. Reproduction or issue to third parties in any form whatever is not permitted without written authority from the proprietor. Property of FCI. Copyright FCI.

PRODUCT NUMBER  
51939-210--  
NOTE ③



RECOMMENDED PCB LAYOUT

mat'l code		SEE NOTE 2		tolerances unless otherwise specified		CUSTOMER		FCI	
lfr	ecn no.	dr	date	linear	.XX±.01/0.X±0.3	COPY		www.fciconnect.com	
C				angles	.XXY±.005/0.XX±0.13	projection		title 3ACP + 24S + 6P	
					.XXX±.002/0.XXX±0.051	INCH/MM		RIGHT ANGLE SOLDER HEADER	
				dr	0°±2°	scale		product family PwrBlade code 213	
				engr	CS 10/24/05	1:1		size dwg no 51939-210 sheet 3 of 4	
				chr	STEVEN WANG 10/24/05				
				appd	VICTOR LIN 10/24/05				
					JOSEPH HSIA 10/24/05				
sheet index	revision sheet								

cage code 28556

Pro/E

PDM: Rev: C

STATUS: Released

Printed: Dec 20, 2010



PRODUCT NUMBER  
51939-210--  
NOTE ③

NOTES:

1. DIMENSIONS AND TOLERANCES ARE IN ACCORDANCE WITH ASME Y14.5M, 1994 UNLESS OTHERWISE SPECIFIED.

CONNECTOR NOTES:

- ② HOUSING MATERIAL: UL 94 V-0 GLASS FILLED HIGH-TEMP THERMOPLASTIC  
POWER CONTACT MATERIAL: COPPER ALLOY  
SIGNAL PIN MATERIAL: COPPER ALLOY
  - △ 3. SEE ITEM 1 & 2 IN PRINT 10064183 FOR PLATING SPEC OF 51939-210 AND 51939-210LF RESPECTIVELY.
  - ④ MANUFACTURER'S NAME, P/N, AND DATE CODE TO APPEAR ON THIS SURFACE.
  - 5. PRODUCT SPECIFICATION GS-12-149.  
APPLICATION SPECIFICATION BUS-20-067.
  - 6. PACKAGED IN TRAYS.
- PCB NOTES:
- 7. ALL HOLE DIAMETERS ARE FINISHED HOLE SIZE.
  - ⑧ MOUNTING HOLES, WHERE APPLICABLE, ARE UNPLATED.
  - ⑨  $\varnothing .0453 \pm .0010$  [1.151 ± 0.025] DRILLED HOLES PLATED WITH  
.0003 [0.008] MIN SnPb OVER .001 [0.03]  
TO .003 [0.08] Cu PLATING TO ACHIEVE  
 $\varnothing .040 \pm .003$  [1.02 ± .07] HOLE.
  - ⑩ "DIM XXX" TO BE DETERMINED BY THE CUSTOMER.
  - ⑪ CONNECTOR KEEP-OUT ZONE.
  - 12. △/C SYMBOL WILL BE NEXT TO ANY DIMENSION, VIEW, OR NOTE WHICH HAS BEEN MODIFIED WITH THE CURRENT DRAWING REVISION.

mat'l code		SEE NOTE 2		tolerances unless otherwise specified		CUSTOMER		FCI	
ltr	ecn no.	dr	date	linear	.XX±.01/0.X±0.3	COPY		www.fciconnect.com	
C				projection	.XXX±.005/0.XX±0.13			title 3ACP + 24S + 6P	
				angles	.XXX±.0020/0.XXX±0.051			RIGHT ANGLE SOLDER HEADER	
				dr	0° ± 2°	INCH/MM		product family PwrBlade code 213	
				engr	CS 10/24/05	scale 1:1		size A 51939-210 sheet 4 of 4	
				chr	STEVEN WANG 10/24/05				
				appd	VICTOR LIN 10/24/05				
					JOSEPH HSIA 10/24/05				
sheet index	revision sheet								

A

A

B

B