

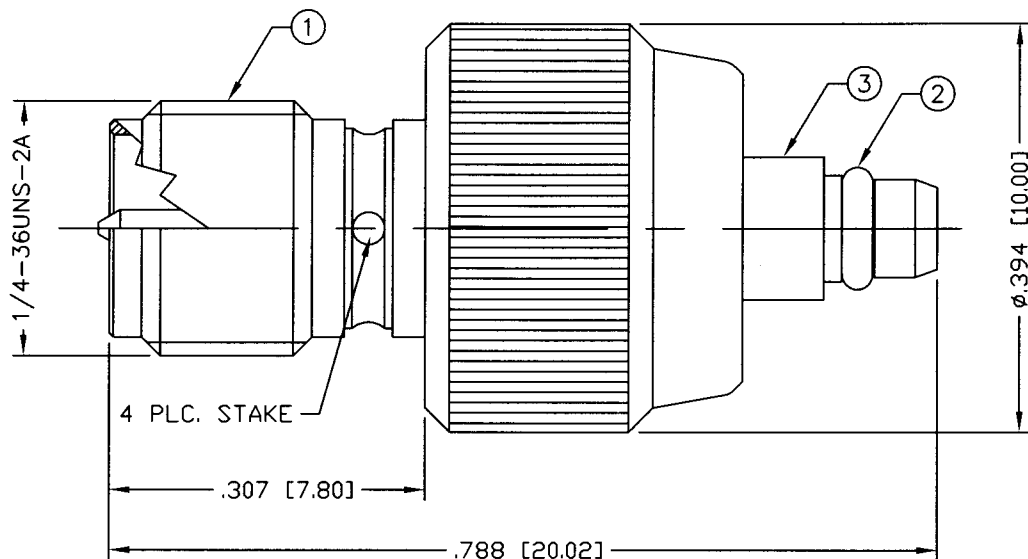
THIS DRAWING CONTAINS INFORMATION PROPRIETARY TO RF INDUSTRIES,  
 ANY UNAUTHORIZED USE OF THIS DRAWING IS EXPRESSLY PROHIBITED  
 WITHOUT WRITTEN PERMISSION FROM RF INDUSTRIES.  
 ANY VIOLATION IS PUNISHABLE UNDER U.S. COPYRIGHT LAWS.

ALL DIMENSIONS ARE REFERENCE ONLY

PART NO.

**RP-3408-1**

REV	DESCRIPTION	DWN	DATE	APPROVED
-	ENGINEERING RELEASE	CZS	6/9/00	JDMc



**SPECIFICATIONS:**

IMPEDANCE: 50 Ohms  
 FREQUENCY RANGE: 0-6 GHz  
 WORKING VOLTAGE: 170 V rms @ sea level  
 TEMPERATURE RANGE: -65°C TO 165°C  
 INSULATION RESISTANCE: 1k M Ohms min.

1	SMA BODY	1	BRASS	GOLD, 3 μ"	008974	UNLESS OTHERWISE SPECIFIED:	
2	RETAINING RING	1	Be.Cu.	GOLD, 3 μ"			
3	MMCX BODY	1	BRASS	GOLD, 3 μ"			
4	INSULATOR	1	PTFE	---			
5	PIN	1	BRASS	GOLD, 30 μ"			
6	INSULATOR	1	PTFE	---			
7							
8							
9							
10					DRAWN	DIMENSIONS ARE IN INCHES AND [MILLIMETERS] UNLESS OTHERWISE NOTED TOLERANCES ARE: DECIMALS      DIAMETER	
11				C. ZUNIGA	2/9/04		
12				CHECKED	[Signature]		2-9-04
13				ORJ DRAWN	[Signature]		2/9/04
14				C. ZUNIGA	2/9/04		
#	DESCRIPTION	QTY	MATERIAL	FINISH	APPROVALS	DATE	



7610 MIRAMAR RD  
 SAN DIEGO, CA 92126  
 (858) 549-6340  
 (858) 549-6345 FAX

**SMA REVERSE POLARITY JACK  
 TO MMCX PLUG, ADAPTER**

SIZE	CABLE GROUP	DWG NO.	REV
A	N/A	RP-3408-1	-
SCALE: NTS		CAD FILE OUTLINE	SHEET 1 OF 1