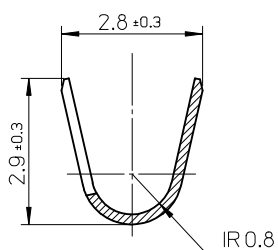
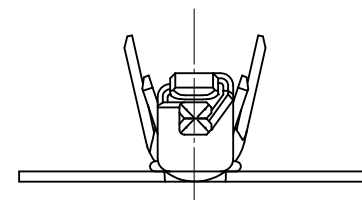
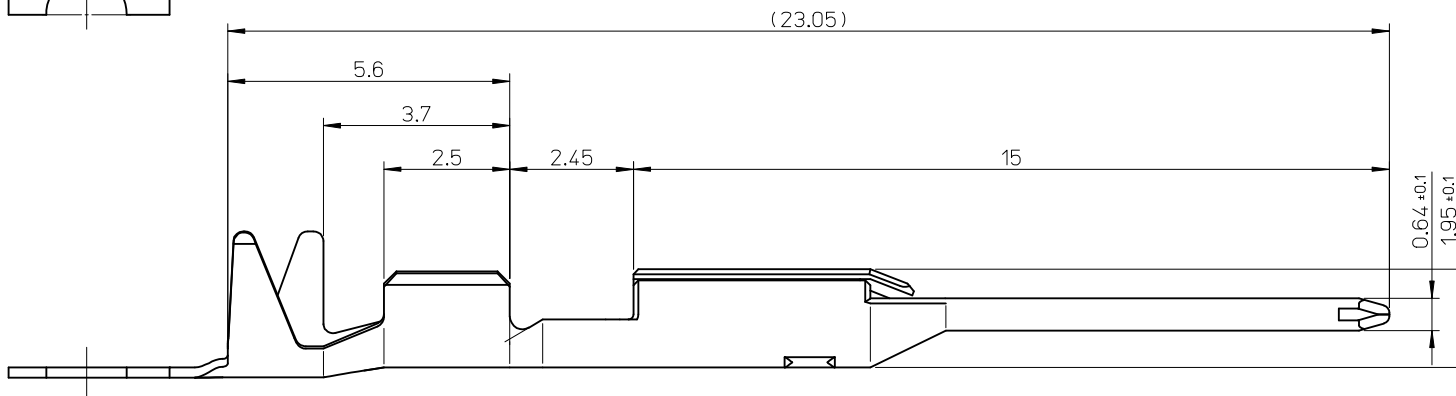
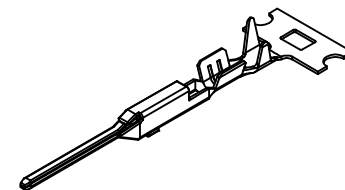
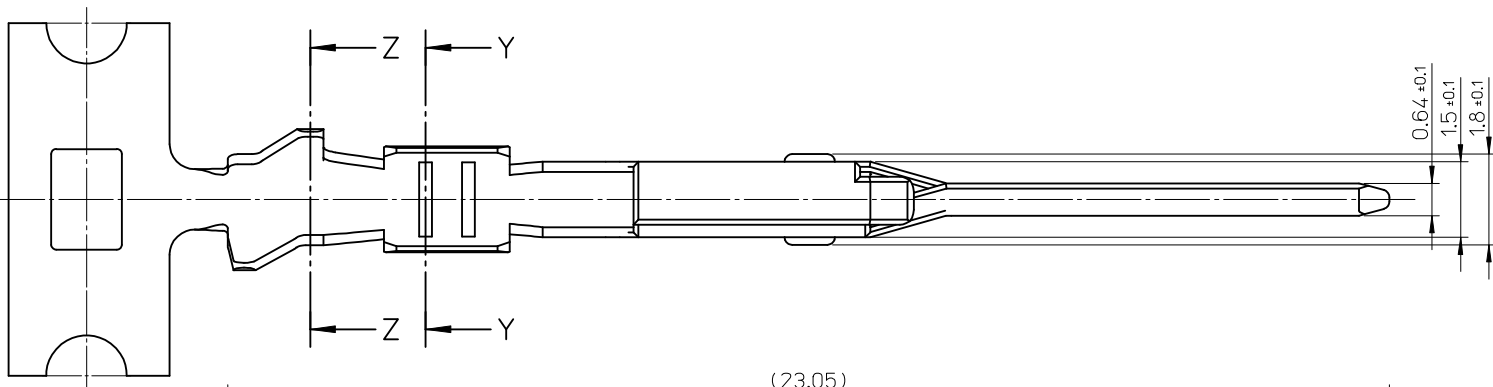
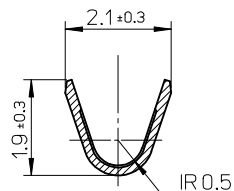


10 9 8 7 6 5 4 3 2 1



SECTION Z-Z



SECTION Y-Y

注記  
NOTES

1. 材料：黄銅，鍍めっき材 (t=0.2)  
MATERIAL : PRE-TIN BRASS (t=0.2)
2. 適合ハウジング：501820-3209  
APPLICABLE HOUSING : 501820-3209

REV	DESCRIPTION
0	RELEASED EC NO: J2006-2342 DRWN:HKOMATSU 2006/01/25 CHKD:TAITO 2006/01/25 APPR:AKANESHIGE 2006/01/27

GENERAL TOLERANCES (UNLESS SPECIFIED)	
10 UNDER	±0.2
10 OVER 30 UNDER	±0.25
30 OVER	±0.3
ANGULAR ±1 °	
DRAFT WHERE APPLICABLE MUST REMAIN WITHIN DIMENSIONS	

DIMENSION STYLE MM ONLY	
DRAWN BY HKOMATSU	DATE 2005/9/8
CHECKED BY TAITO	DATE 2005/9/9
APPROVED BY AKANESHIGE	DATE 2005/9/9
MATERIAL NO. SEE CHART	
SIZE A3	THIS DRAWING CONTAINS INFORMATION THAT IS PROPRIETARY TO MOLEX INCORPORATED AND SHOULD NOT BE USED WITHOUT WRITTEN PERMISSION

AVSS 0.3~0.5	501827-0101	CHAIN
WIRE RANGE	MATERIAL NO.	FORM
SCALE 10:1	DESIGN UNITS METRIC	THIRD ANGLE PROJECTION
TITLE CMC W/W CONN. MALE TERMINAL 0.64 -LEAD FREE-		
MOLEX MOLEX INCORPORATED		
DOCUMENT NO. SD-501827-001	SHEET NO. 1 OF 1	