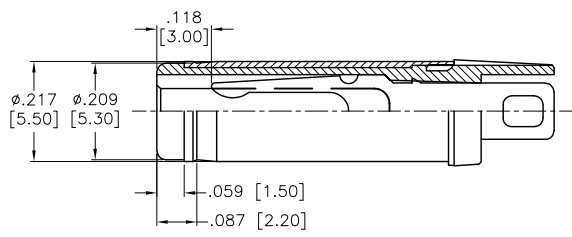
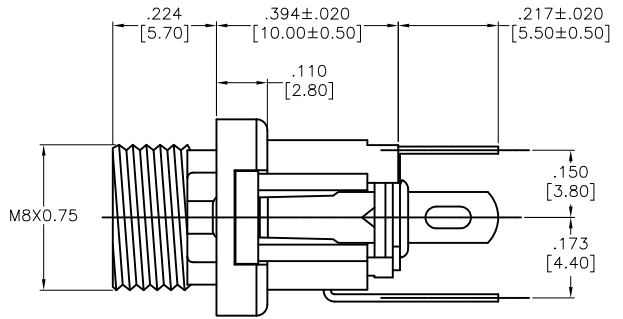
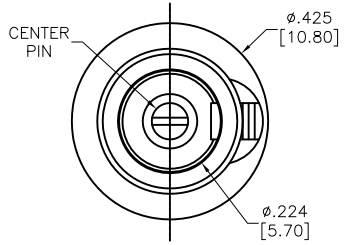
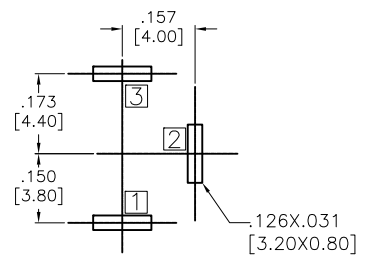
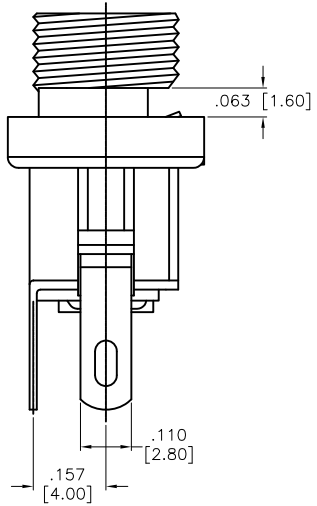


APPROVED: _____
DATE: _____ TITLE: _____

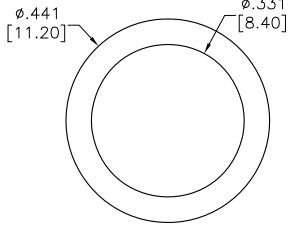
Rev	AWO #	Description	Date	Appr
-		RELEASED	12/22/06	
A		RELEASED	01/04/07	
B		ADDED DIM.	1/08/10	
C		REDRAWN	7/11/13	
D		UPDATED DRAWING	11/2/17	HR/RC1



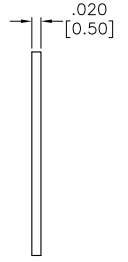
DC MATE PLUG



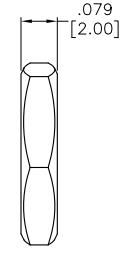
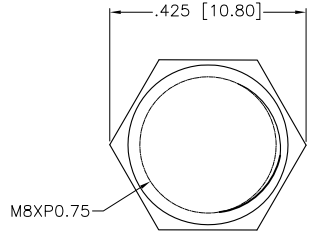
RECOMENDED PCB LAYOUT



WASHER



NUT



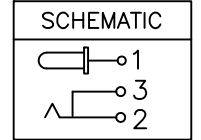
SPECIFICATIONS:

Material:
Insulator: PBT, rated UL 94V-0
Insulator color: Black
Contacts: Copper Alloy, Tin plated
Center Pin: Bronze, Nickel plated
Bushing: Brass Nickel plated
Washer: Bakelite & SPCC, Nickel plated
Nut: Brass, Nickel plated

Electrical:
Voltage rating: 30 VDC
Current rating: 3 A
Contact resistance: 30 mohms max
Insulation resistance: 100 Mohms min @ 500 VDC
Dielectric withstanding voltage: 500 VAC
 Temperature Rating:
Operating temperature: -20°C to +70°C
 Environmental:
Lead free, RoHS compliant.



PART NO.	CENTER PIN DIA.
ADC-027-1-M8	2.00mm
ADC-027-2-M8	2.50mm
ADC-027-5-M8	2.35mm



UNLESS OTHERWISE SPECIFIED
 ALL DIMENSIONS ARE INCHES [MM]
 TOLERANCES: EXCEPT AS NOTED

INCHES		HOLES	
.X	± .10	Ø.X	± .10
.XX	± .020	Ø.XX	± .015
.XXX	± .015	Ø.XXX	± .010

APPROVALS		DATE
DRAWN	AY	9/15/15
CHECKED	NP	9/15/15
APPROVED		

ADAM TECH
 909 Rahway Avenue, Union, NJ 07083
 Phone: 908-687-5000 Fax: 908-687-5710

TITLE: **DC POWER JACK, VERTICAL, PANEL MOUNT, M8 THD BUSHING**

SIZE X	PART NO. ADC-027-X-M8	REV. D
------------------	---------------------------------	------------------

REF: S00002C SCALE: NTS SHEET 1 OF 1