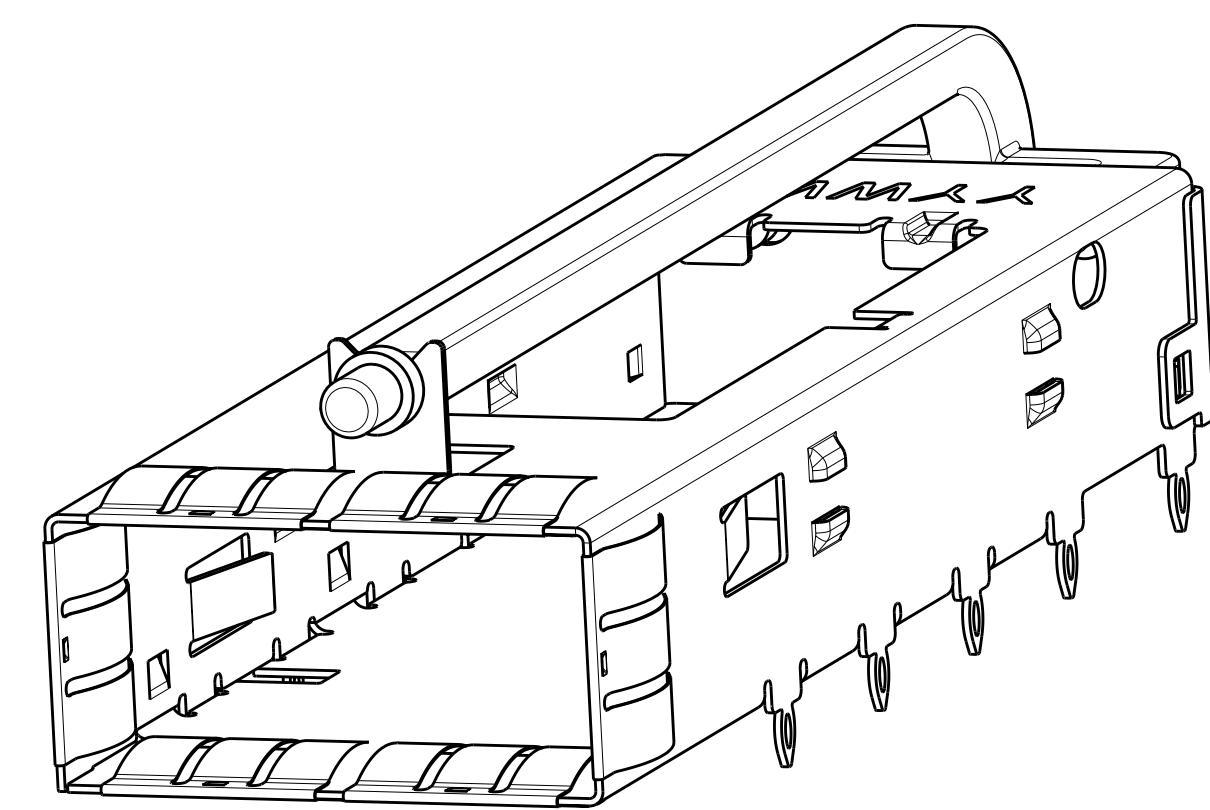
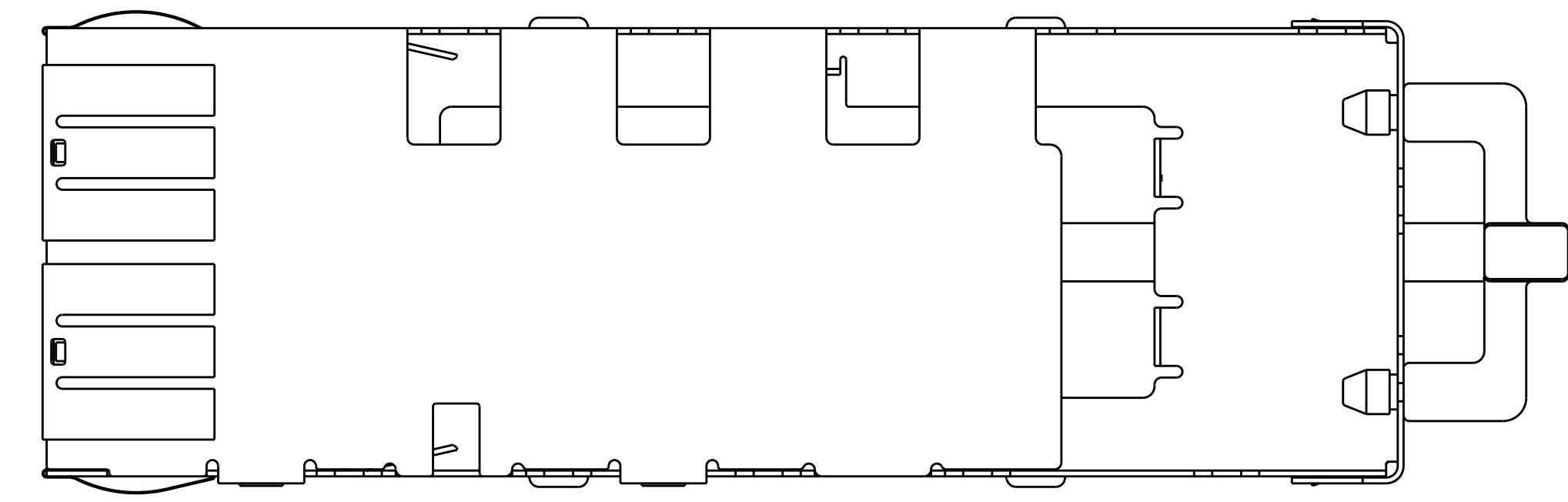
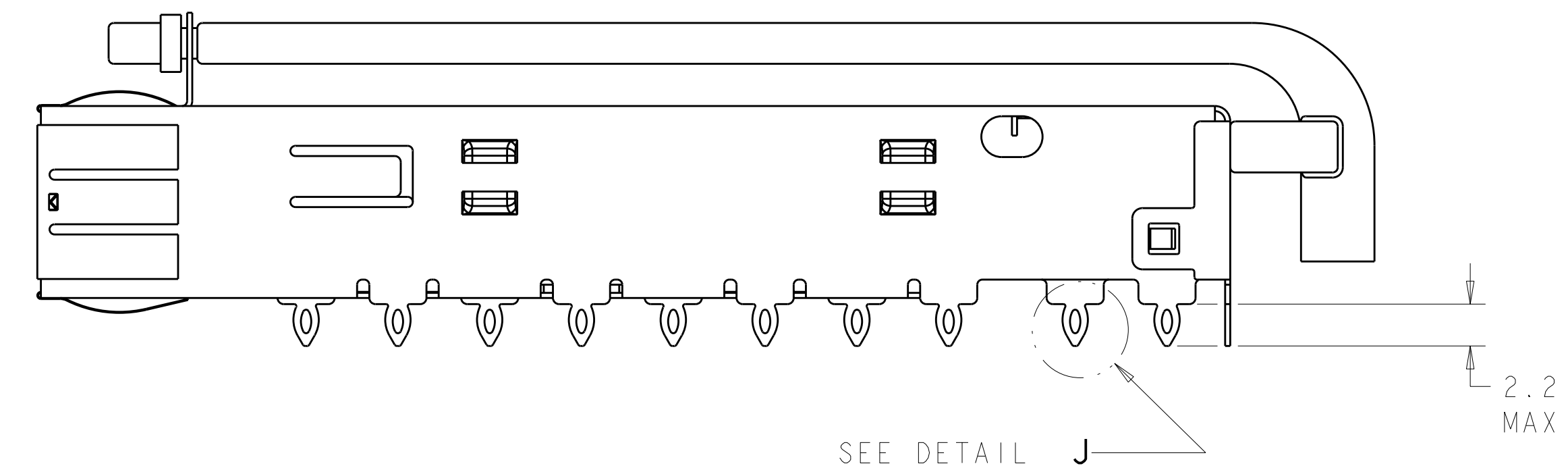
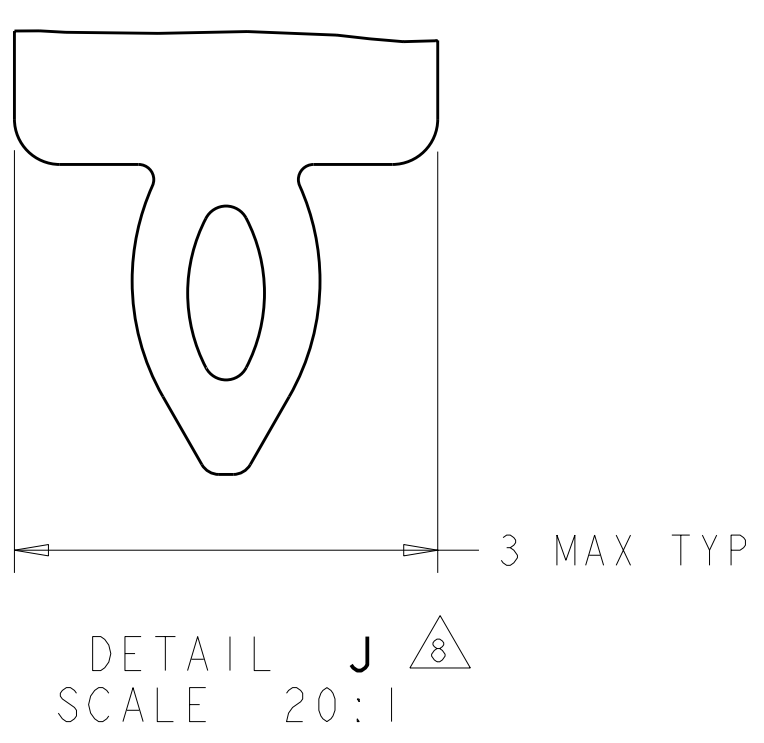
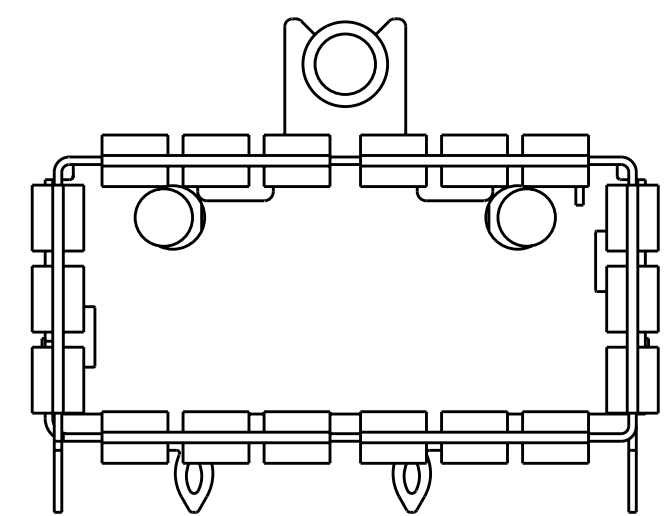
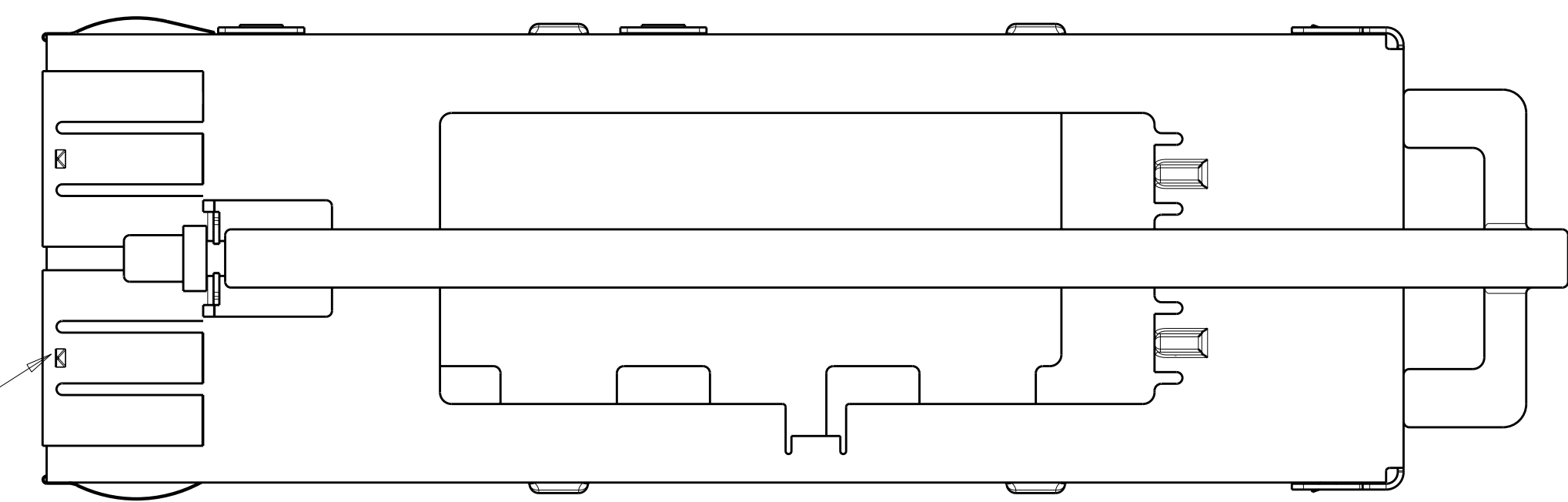


LOC	DIST	REV	DATE	BY	APPD
GP	00	1	31MAR2010	CJV	JRP



Sn42Bi58 SOLDER
6 PLACES



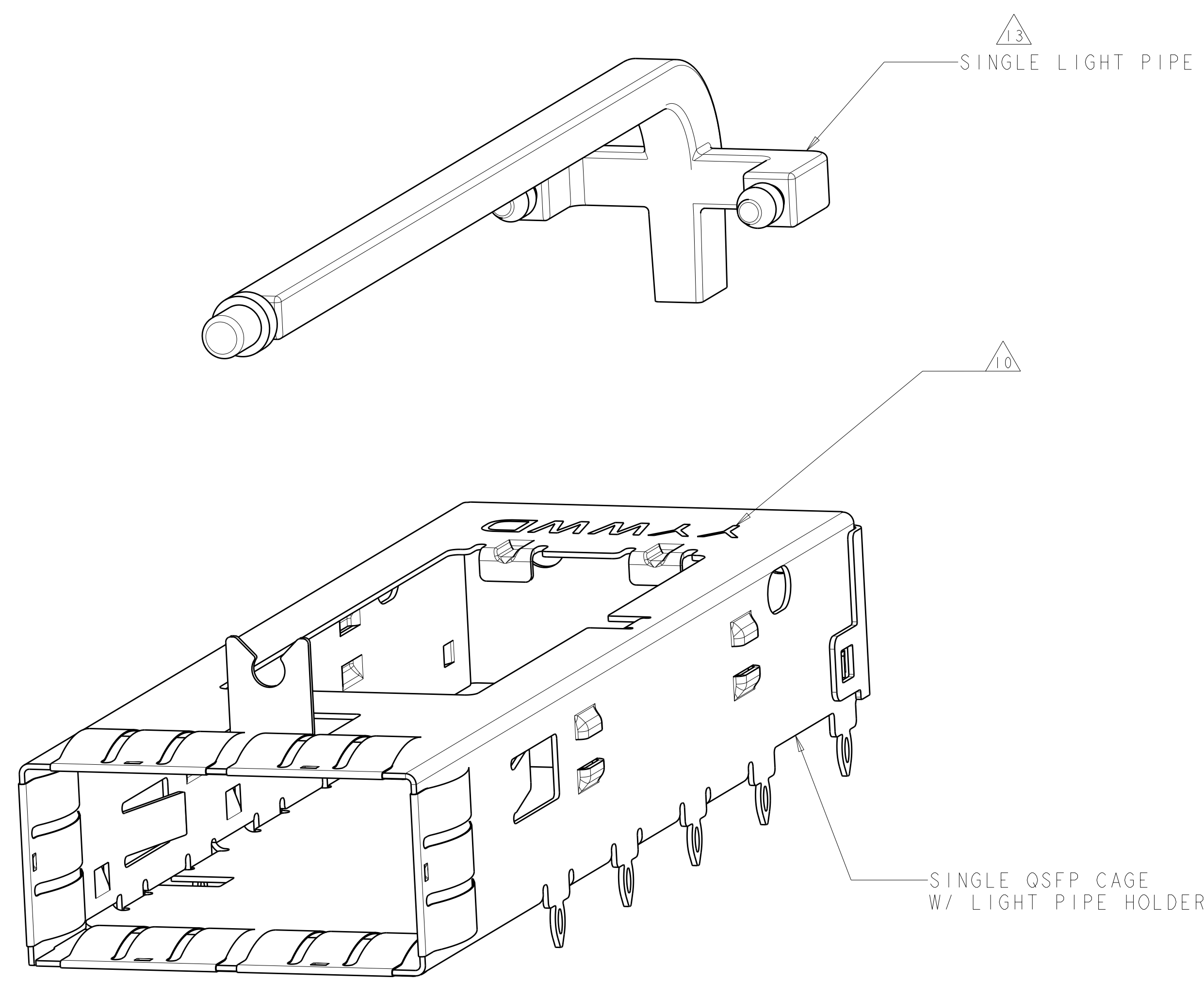
- 1. CAGE MATERIAL: NICKEL SILVER, 0.25 THICK
 LIGHT PIPE MATERIAL: CLEAR POLYCARBONATE, UL-94V-2 RATED.
 EMI SPRING MATERIAL: COPPER ALLOY
- 2. MINIMUM PITCH DIMENSION.
- 3. MATES WITH QSFP MSA COMPATIBLE TRANSCEIVER.
- 4. REFERENCE APPLICATION SPEC 114-13217 FOR RECOMMENDED DRILL HOLE DIAMETER AND PLATING THICKNESS.
- 5. DATUMS AND BASIC DIMENSIONS ESTABLISHED BY CUSTOMER.
- 6. MINIMUM PC BOARD THICKNESS:
 SINGLE SIDED = 1.45mm (shown, pg. 4)
 DOUBLE SIDED = 2.2mm
- 7. DATUM -A- IS TOP SURFACE OF HOST BOARD.
- 8. SURFACE TRACES PERMITTED WITHIN THIS AREA EXCEPT WHERE CAGE STANDOFFS, SHOWN IN DETAIL J, CONTACT PC BOARD.
- 9. MAXIMUM HEIGHT OF CUSTOMER SUPPLIED LED OFF PC BOARD: 1.70mm.
- 10. DATE CODE (YYWWD) MARKED ON TOP OF CAGE APPLIES TO CAGE ASSEMBLY ONLY.
- 11. SPRING FINISH: 0.8µm MIN TIN OVER 0.8µm MIN NICKEL. NON-PLATED EDGES PERMISSIBLE.
- 12. PRODUCT HAS NOT COMPLETED QUALIFICATION TESTING.
- 13. CAGE ASSEMBLY MAY BE PRESSED INTO THE PCB AS SHIPPED. LIGHT PIPE MUST BE ASSEMBLED BY CUSTOMER AFTER THE CAGE IS SEATED ON THE PCB.

THIS PRINT IS
PRELIMINARY
 UNQUALIFIED PRODUCT
 CONTACT PRODUCT ENGINEERING
 BEFORE USING THIS PRINT

2143432-1
 PART NUMBER

DIMENSIONS: mm 		TOLERANCES UNLESS OTHERWISE SPECIFIED: 9 PLC ±.5 7 PLC ±0.13 5 PLC ±0.013 4 PLC ±0.0001 ANGLES ±.1		DWN C. VALENTINE 31MAR2010 CHK J. PETERSON 31MAR2010 APVD J. PETERSON 31MAR2010		Tyco Electronics Harrisburg, PA 17105-3608	
MATERIAL 		FINISH 		PRODUCT SPEC 108-2286		NAME CAGE ASSEMBLY, THRU BEZEL, QSFP, W/ SINGLE LIGHT PIPE	
CUSTOMER DRAWING		WEIGHT -		APPLICATION SPEC 114-13217		SIZE CAGE CODE DRAWING NO A100779C=2143432	
SCALE 4:1		SHEET 1 OF 4		REV		RESTRICTED TO	

LOC	DIST	REVISIONS					
		P	LTB	DESCRIPTION	DATE	DWN	APVD
GP	00	-	-	SEE SHEET 1	-	-	-

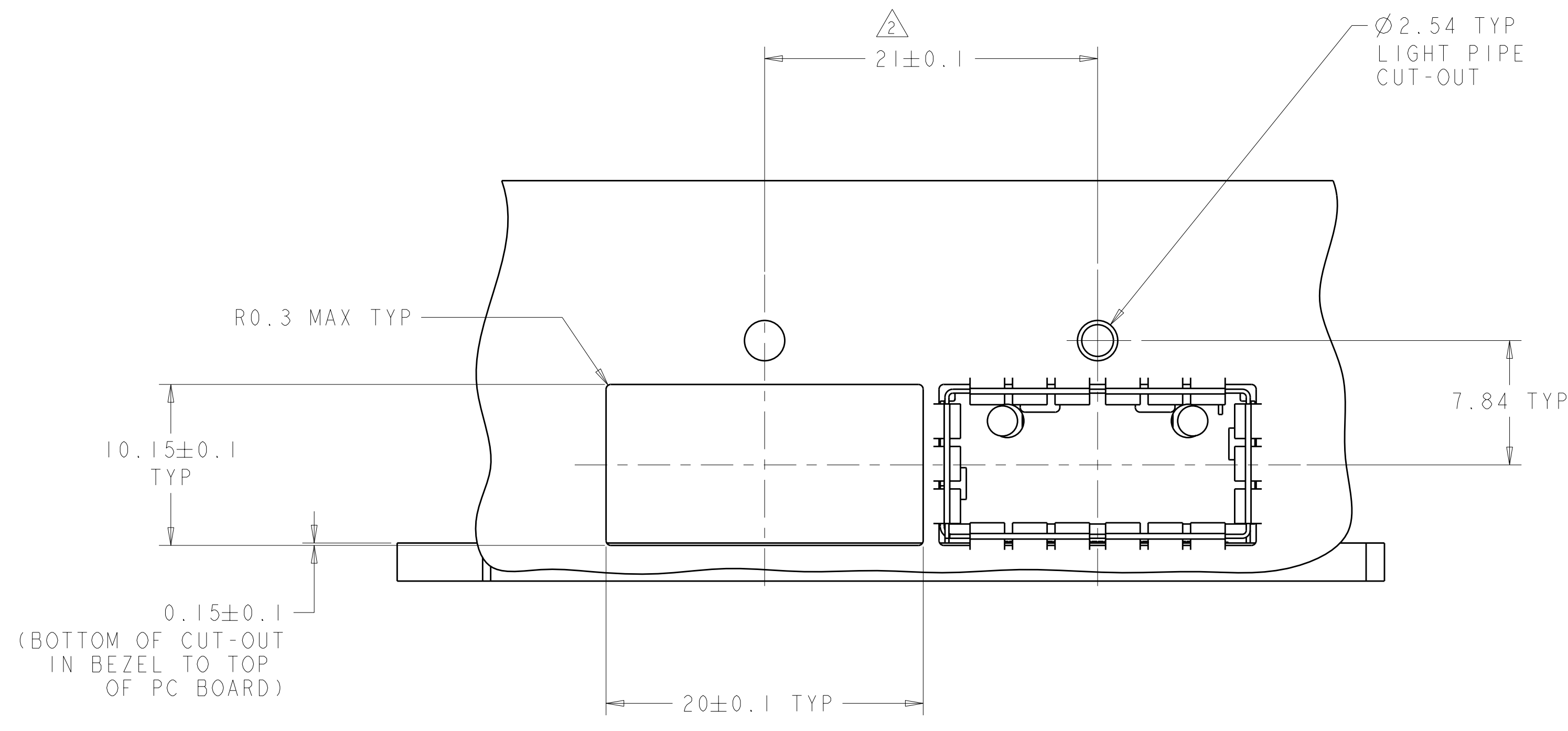


EXPLODED ISOMETRIC VIEW
 SCALE 6:1

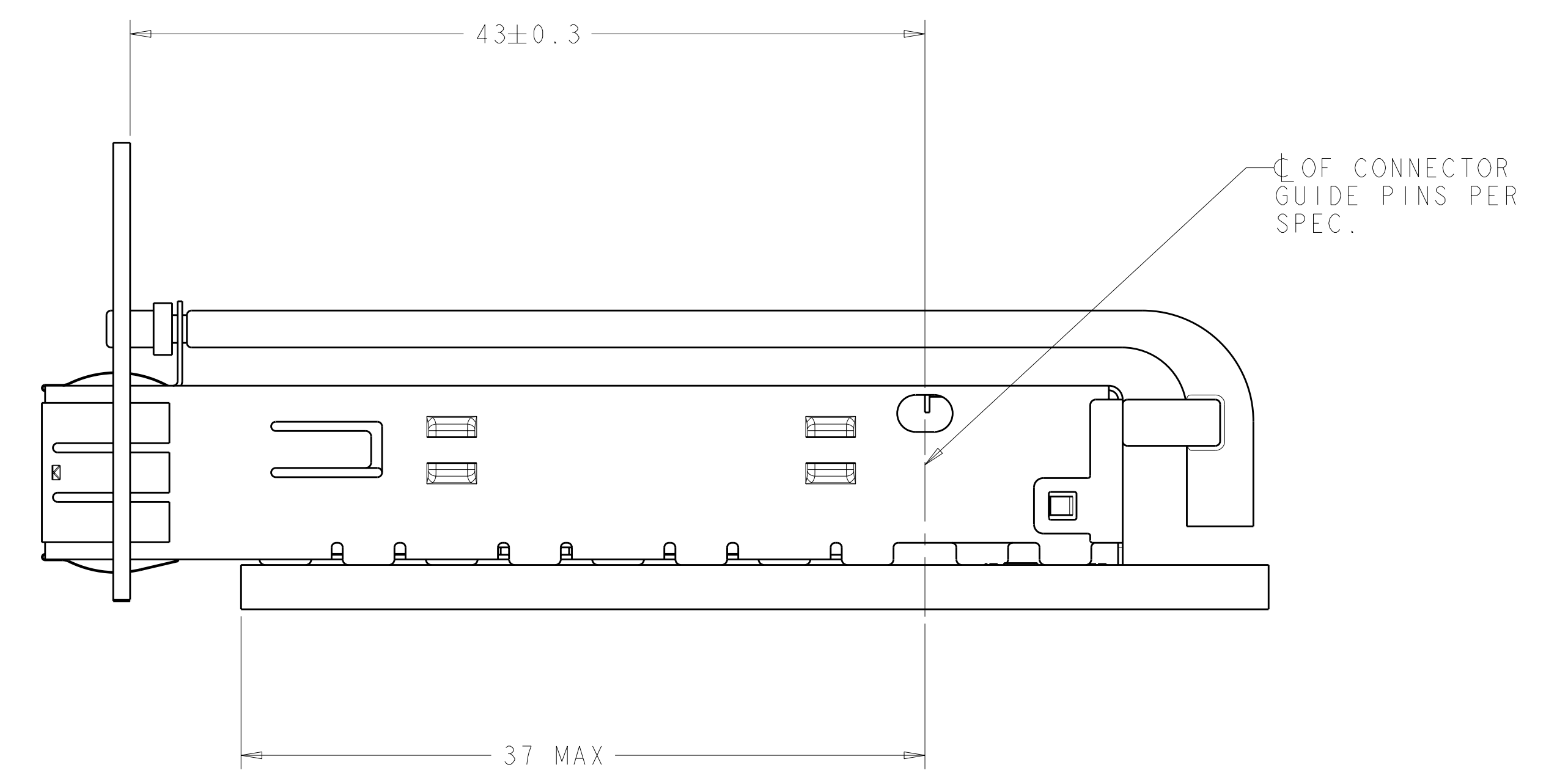
THIS PRINT IS
PRELIMINARY
 UNQUALIFIED PRODUCT
 CONTACT PRODUCT ENGINEERING
 BEFORE USING THIS PRINT

<small>THIS DRAWING IS UNPUBLISHED. RELEASED FOR PUBLICATION 2007. THIS IS SUBJECT TO CHANGE WITHOUT NOTICE AND WITHOUT OBLIGATION. SHOULD BE CONTACTED FOR THE LATEST REVISION.</small>		DWN C. VALENTINE 31MAR2010 CHK J. PETERSON 31MAR2010 APVD J. PETERSON 31MAR2010	Tyco Electronics Tyco Electronics Harrisburg, PA 17105-3608
DIMENSIONS: mm 	TOLERANCES UNLESS OTHERWISE SPECIFIED: 9 PLC ± 1 PLC ±0.5 2 PLC ±0.13 3 PLC ±0.013 4 PLC ±0.0001 ANGLES ±	NAME CAGE ASSEMBLY, THRU BEZEL, QSFP, W/ SINGLE LIGHT PIPE PRODUCT SPEC 108-2286 APPLICATION SPEC 114-13217 WEIGHT - CUSTOMER DRAWING	SIZE CAGE CODE DRAWING NO RESTRICTED TO A100779C=2143432 - SCALE 4:1 SHEET 2 OF 4 REV 1

LOC	DIST	REVISIONS			
P	LTG	DESCRIPTION	DATE	DWN	APVD
-	-	SEE SHEET 1	-	-	-



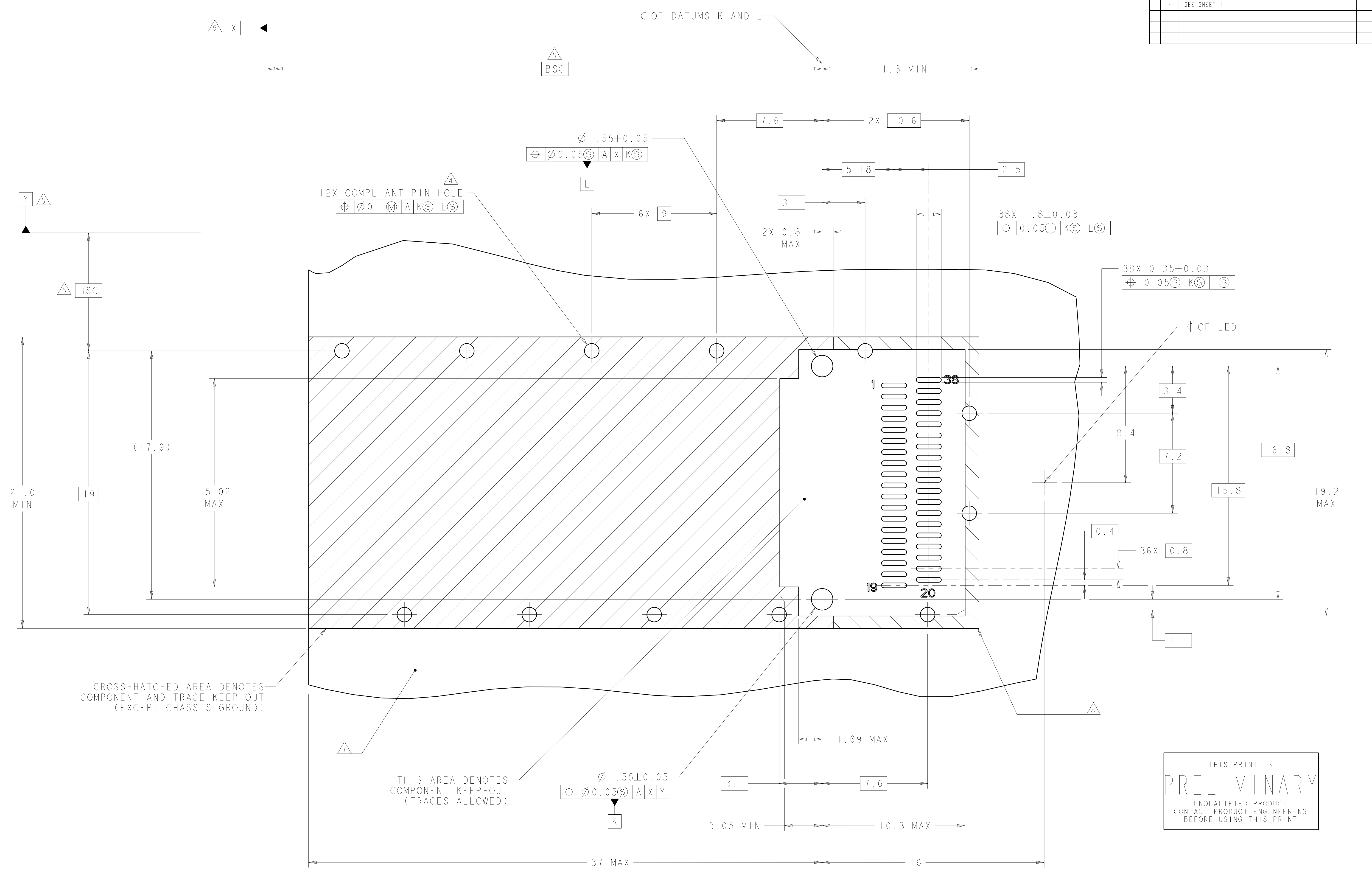
RECOMMENDED BEZEL CUTOUT AND LOCATION



THIS PRINT IS
PRELIMINARY
 UNQUALIFIED PRODUCT
 CONTACT PRODUCT ENGINEERING
 BEFORE USING THIS PRINT

<small>THIS DRAWING IS UNPUBLISHED. RELEASED FOR PUBLICATION 2007. THIS IS SUBJECT TO CHANGE WITHOUT NOTICE AND WITHOUT OBLIGATION. SHOULD BE CONTACTED FOR THE LATEST REVISION.</small>		DWN C. VALENTINE 31MAR2010 CHK J. PETERSON 31MAR2010 APVD J. PETERSON 31MAR2010	Tyco Electronics Harrisburg, PA 17105-3608
DIMENSIONS: mm 	TOLERANCES UNLESS OTHERWISE SPECIFIED: 0 PLC ± 1 PLC ±0.5 2 PLC ±0.13 3 PLC ±0.013 4 PLC ±0.001 ANGLES ±	NAME: CAGE ASSEMBLY, THRU BEZEL, OSFP, W/ SINGLE LIGHT PIPE PRODUCT SPEC: 108-2286 APPLICATION SPEC: 114-13217 WEIGHT: - CUSTOMER DRAWING	SIZE: A100779 CAGE CODE: C=2143432 SCALE: 4:1 SHEET: 3 OF 4 REV: 1

LOC	DIST	REV	DATE	BY	APPD
GP	00	1			
		DESCRIPTION	DATE	BY	APPD
		SEE SHEET 1			



CROSS-HATCHED AREA DENOTES COMPONENT AND TRACE KEEP-OUT (EXCEPT CHASSIS GROUND)

THIS AREA DENOTES COMPONENT KEEP-OUT (TRACES ALLOWED)

THIS PRINT IS
PRELIMINARY
 UNQUALIFIED PRODUCT
 CONTACT PRODUCT ENGINEERING
 BEFORE USING THIS PRINT

RECOMENDED PC BOARD LAYOUT
 SCALE 8:1

<small>THIS DRAWING IS UNPUBLISHED. RELEASED FOR PUBLICATION 2007 BY TYCO ELECTRONICS CORPORATION, ALL RIGHTS RESERVED.</small>		DWN: C. VALENTINE 31MAR2010 CHK: J. PETERSON 31MAR2010 APVD: J. PETERSON 31MAR2010	Tyco Electronics Harrisburg, PA 17105-3608
DIMENSIONS: mm 	TOLERANCES UNLESS OTHERWISE SPECIFIED: 9 PLC ±0.5 8 PLC ±0.13 5 PLC ±0.013 4 PLC ±0.001 ANGLES ±0.001	PRODUCT SPEC: 108-2286 APPLICATION SPEC: 114-13217 WEIGHT: - CUSTOMER DRAWING	NAME: CAGE ASSEMBLY, THRU BEZEL, OSFP, W/ SINGLE LIGHT PIPE SIZE: CAGE CODE DRAWING NO: A1100779C=2143432 RESTRICTED TO: -
MATERIAL: - FINISH: -		SCALE: 4:1 SHEET 4 OF 4 REV 1	Tyco Electronics logo