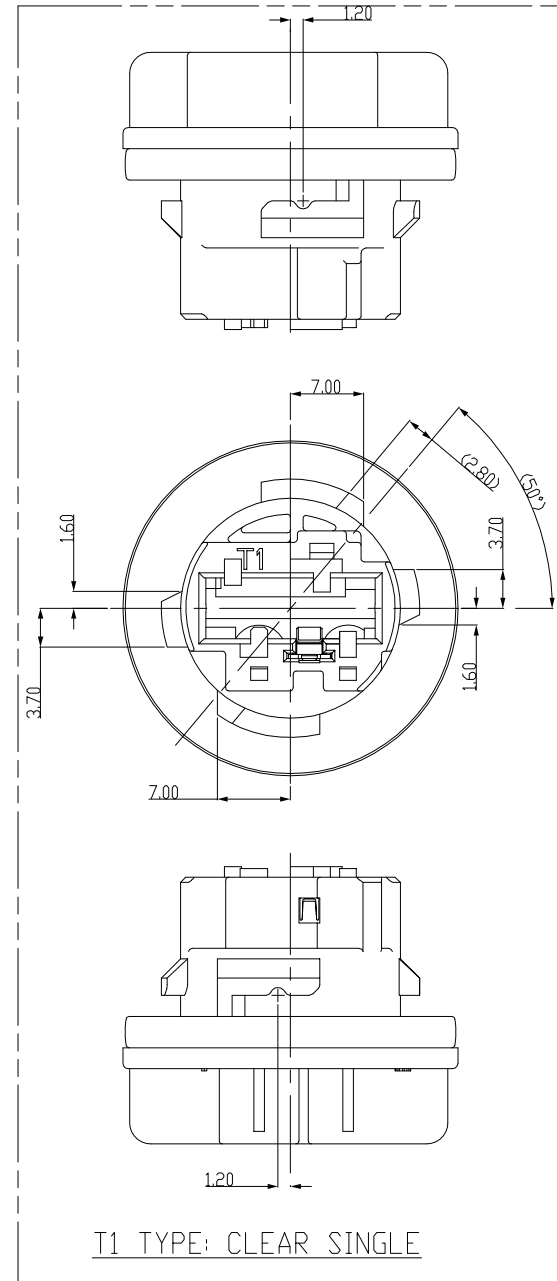
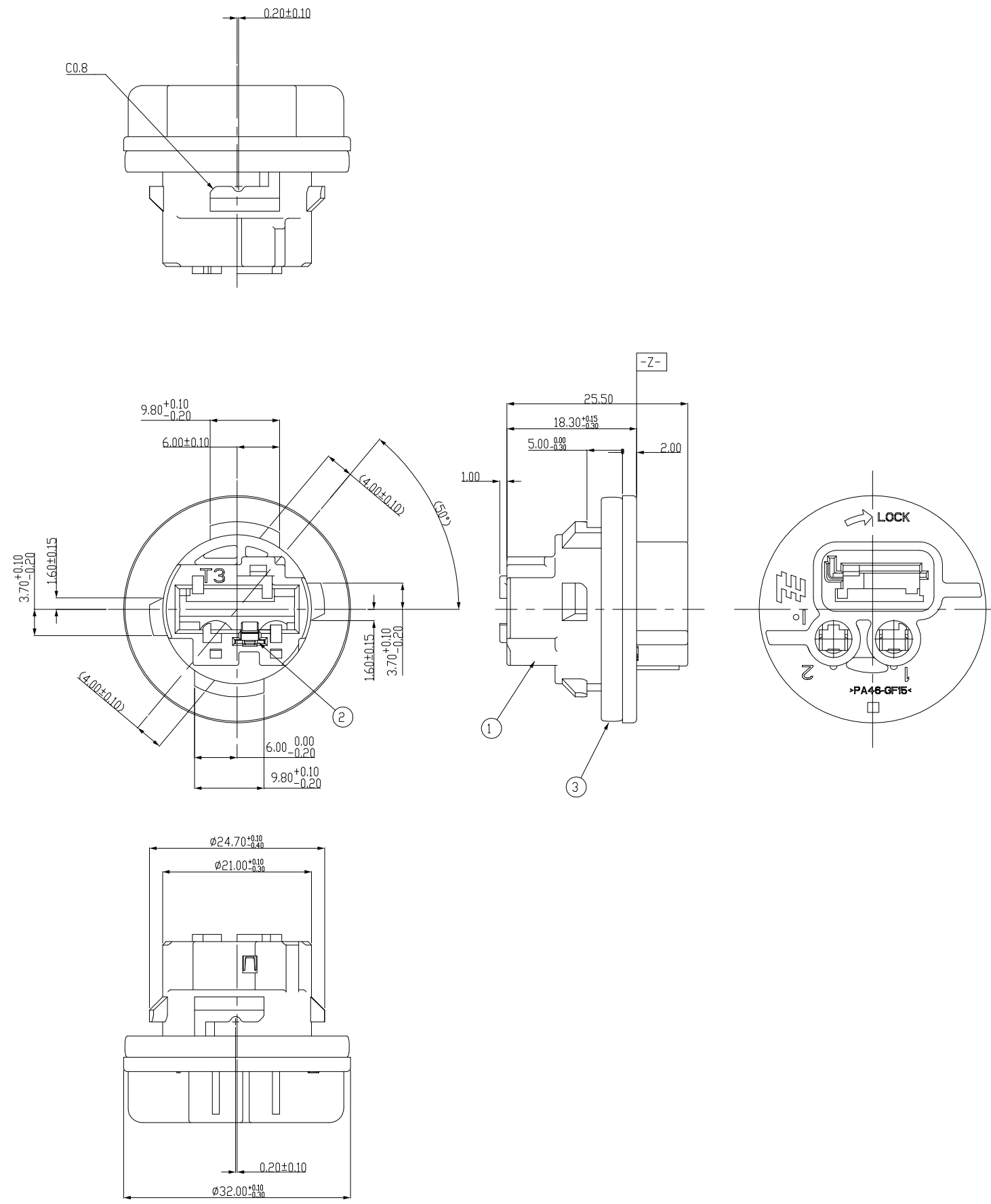


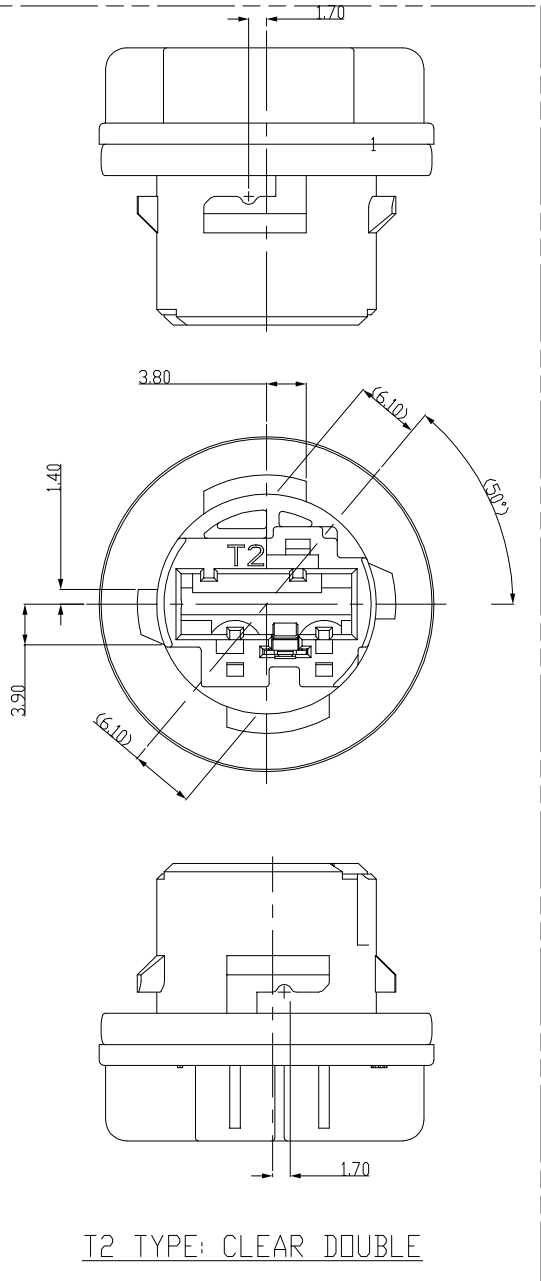
THIS DRAWING IS UNPUBLISHED. RELEASED FOR PUBLICATION
 © COPYRIGHT BY TYCO ELECTRONICS CORPORATION. ALL RIGHTS RESERVED.

LDC	DIST	REVISIONS					
		P	LTR	DESCRIPTION	DATE	DWN	APVD
	DS	B2		REVISED (ECR-15-005463)	08/APR'15	YH	HG
		B3		REVISED (ECR-16-006852)	11/MAR'16	YH	DG
		B4		REVISED (ECR-17-001895)	09/FEB'17	YH	DG

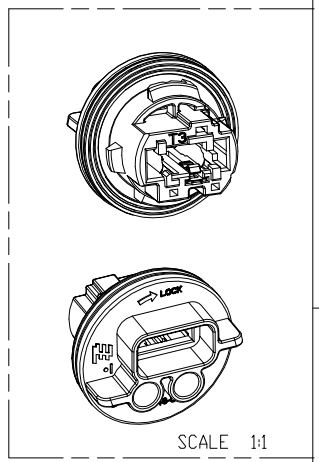
T3 TYPE: AMBER SINGLE



T1 TYPE: CLEAR SINGLE



T2 TYPE: CLEAR DOUBLE



DESCRIPTION	P/N
BULB ASSY(CLEAR DOUBLE-W21/5W)-BLACK	2-2005159-2
BULB ASSY(CLEAR DOUBLE-W21/5W)-NATURAL	2-2005159-1
BULB ASSY(CLEAR SINGLE-W21W)-BLACK	1-2005159-2
BULB ASSY(CLEAR SINGLE-W21W)-NATURAL	1-2005159-1
BULB ASSY(AMBER SINGLE-WY21W)-BLACK	0-2005159-2
BULB ASSY(AMBER SINGLE-WY21W)-NATURAL	0-2005159-1

NOTE
 1. GENERAL TOLERANCE: ±0.3, ±3°
 2. THIS BULB HOLDER ASSY IS USED WITH:
 RECEPTACLE TERMINAL TE P/N 2005163-1/2
 GROUND TERMINAL TE P/N 2005164-1

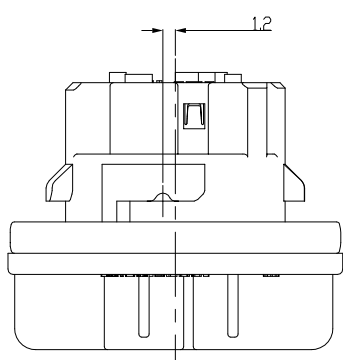
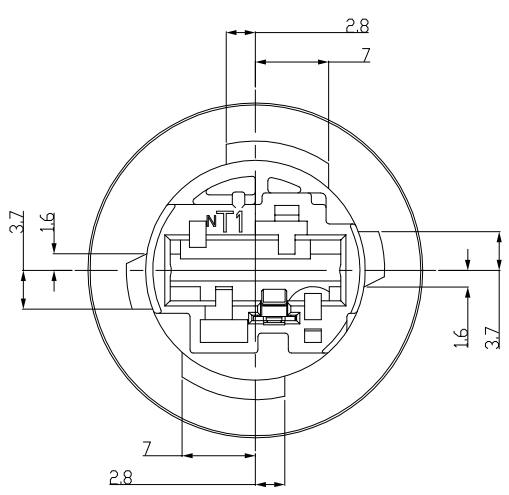
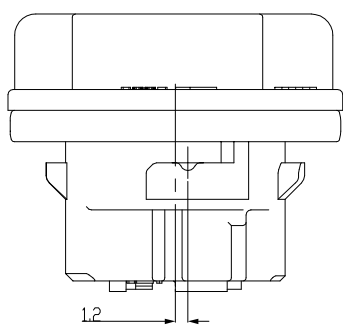
NO	BULB TYPE	COLOR	MATERIAL	DESCRIPTION	QT'Y
3	-	GREY	SILICONE	O-RING	1 1 1 1 1 1
2	-	-	SUS301	LOCK PLATE	1 1 1 1 1 1
1	T2	BLACK	PA46-GF15	BULB HSG(CLEAR DOUBLE)	1
		NATURAL	PA46-GF15	BULB HSG(CLEAR DOUBLE)	1
1	T1	BLACK	PA46-GF15	BULB HSG(CLEAR SINGLE)	1
		NATURAL	PA46-GF15	BULB HSG(CLEAR SINGLE)	1
1	T3	BLACK	PA46-GF15	BULB HSG(AMBER SINGLE)	1
		NATURAL	PA46-GF15	BULB HSG(AMBER SINGLE)	1

THIS DRAWING IS A CONTROLLED DOCUMENT FOR TYCO ELECTRONICS CORPORATION. IT IS SUBJECT TO CHANGE AND THE CONTROLLING ENGINEERING ORGANIZATION SHOULD BE CONTACTED FOR THE LATEST REVISION.

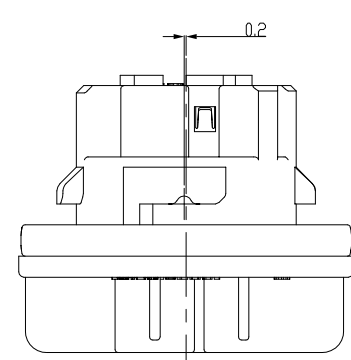
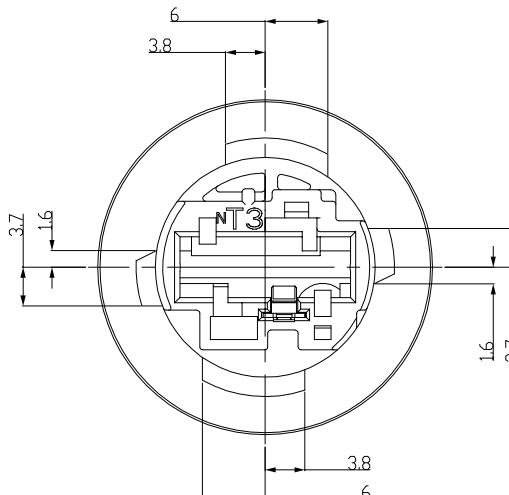
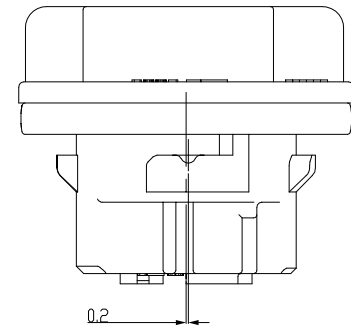
DIMENSIONS: MM	TOLERANCES UNLESS OTHERWISE SPECIFIED:	DWN YH KIM	TE Connectivity	
0 PLC ±	1 PLC ±	CHK DG JEDONG	NAME	
2 PLC ±	3 PLC ±	APVD KT LIM	BULB HOLDER ASS'Y FOR T-20 (31MM TYPE)	
4 PLC ±	ANGLES ±	PRODUCT SPEC	SIZE	CAGE CODE
MATERIAL SEE TABLE	FINISH	APPLICATION SPEC	A2	00779
		WEIGHT	DRAWING NO	RESTRICTED TO
			C= 2005159	
		CUSTOMER DRAWING	SCALE 2:1	SHEET 1 OF 2
			REV B4	

LDC		DIST		REVISIONS			
P	LTR	DESCRIPTION	DATE	DWN	APVD		
DS	-						

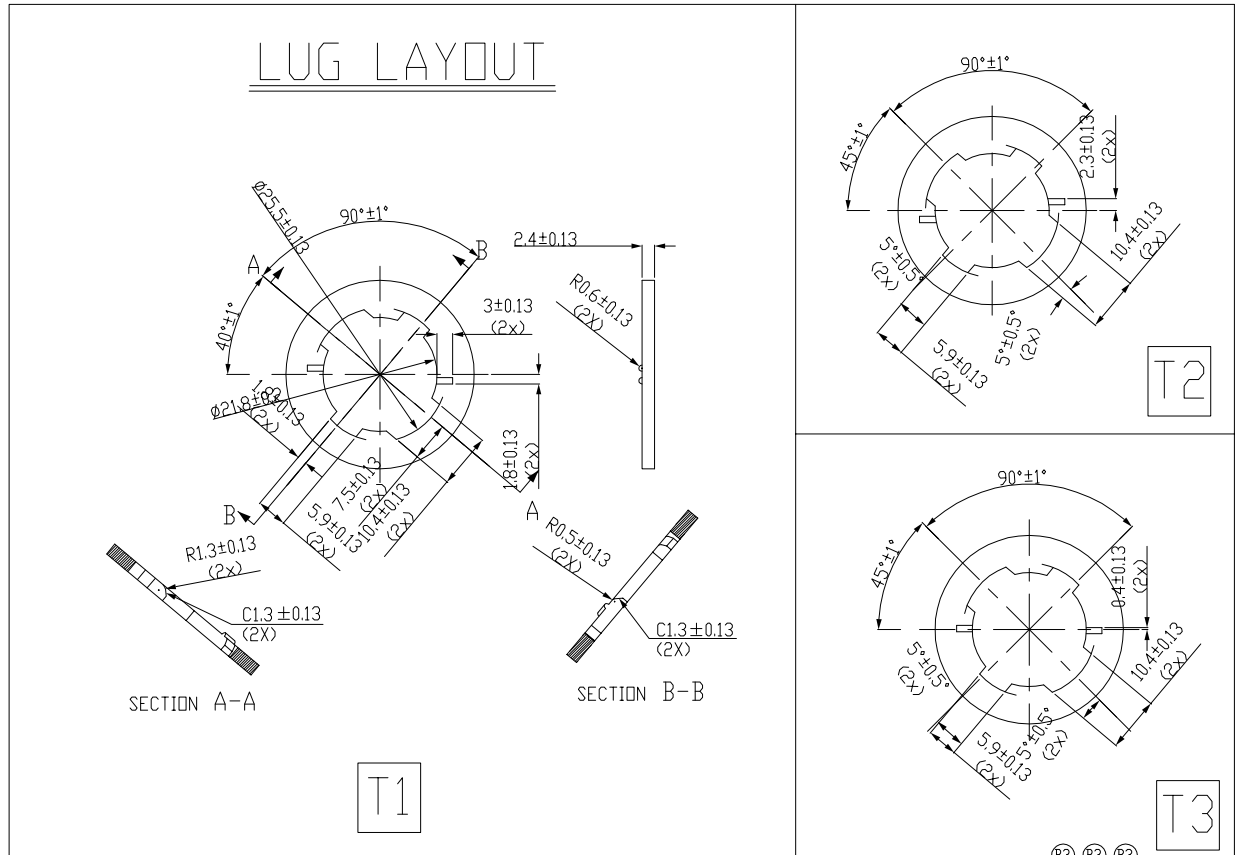
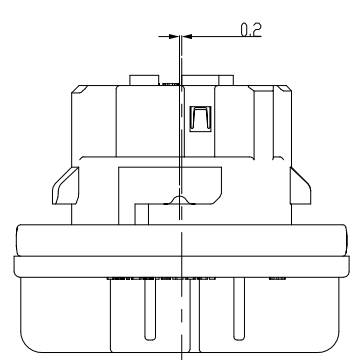
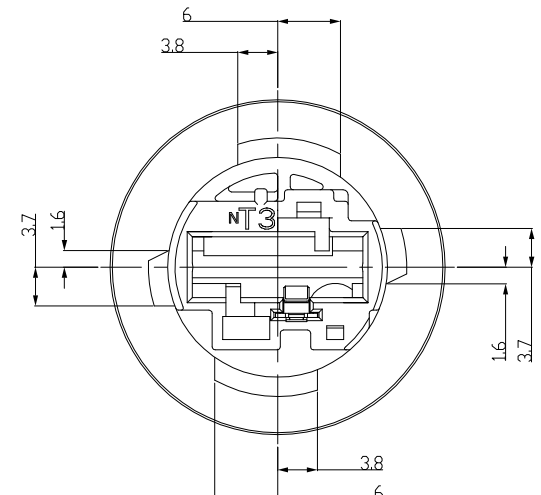
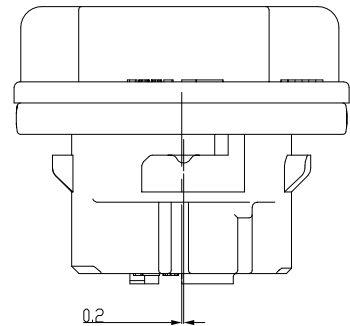
(B) NEW T1



(B) NEW T3



(B3) NEW T3 FOR MOBIS



NOTE
 1. MISSING DIMENTION : SEE 0-2005159-X

NO	SOCKET HOLE TYPE	COLOR	MATERIAL	DESCRIPTION	QTY
3	-	GREY	SILICONE	O-RING	1 1 1 1 1 1 1 1 1
2	-	-	SUS301	LOCK PLATE	1 1 1 1 1 1 1 1 1
1	(B3)	GREY	PA46-GF15	BULB HSG(AMBER SINGLE)	1 - - 1 - - - -
1	NEW T3 FOR MOBIS	BLACK	PA46-GF15	BULB HSG(AMBER SINGLE)	- 1 - - 1 - - -
1		NATURAL	PA46-GF15	BULB HSG(AMBER SINGLE)	- - 1 - - 1 - -
1		GREY	PA46-GF15	BULB HSG(AMBER SINGLE)	- - - 1 - - - -
1	NEW T3	BLACK	PA46-GF15	BULB HSG(AMBER SINGLE)	- - - - 1 - - -
1		NATURAL	PA46-GF15	BULB HSG(AMBER SINGLE)	- - - - - 1 - -
1		GREY	PA46-GF15	BULB HSG(CLEAR SINGLE)	- - - - - - 1 - -
1	NEW T1	BLACK	PA46-GF15	BULB HSG(CLEAR SINGLE)	- - - - - - - 1 -
1		NATURAL	PA46-GF15	BULB HSG(CLEAR SINGLE)	- - - - - - - - 1

THIS DRAWING IS A CONTROLLED DOCUMENT.

DWN -
 CHK -
 APVD -
 PRODUCT SPEC -
 APPLICATION SPEC -
 WEIGHT -

TE Connectivity

BULB HOLDER ASS'Y FOR T20(31MM TYPE)

SIZE A2 CAGE CODE 00779 DRAWING NO C=2005159 RESTRICTED TO -

CUSTOMER DRAWING SCALE 2:1 SHEET 2 OF 2 REV B4