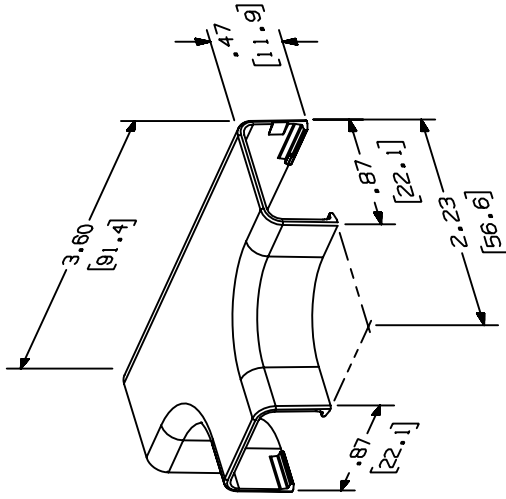


THIS COPY IS PROVIDED ON A RESTRICTED BASIS AND IS NOT TO BE USED IN ANY WAY DETRIMENTAL TO THE INTERESTS OF PANDUIT CORP.

PANDUIT PART NO.	WEIGHT
TFC3	1.8 LB/100 PCS (822 g/100 PCS)



NOTES:

- SEE CURRENT CATALOG FOR ADDITIONAL PART NUMBER SUFFIXES TO INDICATE COLOR AND OR PACKAGE QUANTITY.
- THIS PRODUCT IS INTENDED TO BE USED WITH PANDUIT TYPE LD3 AND LDS3 RACEWAY.
- NOMINAL WALL THICKNESSES: .055(1.4).
- THIS PRODUCT IS FEATURED WITH THE TIA/EIA COMPLIANT BEND RADIUS.
- DIMENSIONS IN PARENTHESIS ARE IN METRIC.



CAD FILENAME/LAYERS D35541BM_TFC3_C_02.PRT

PANDUIT

CORP. TINLEY PARK, ILLINOIS

TEE FITTING COVER (TFC3)
CUSTOMER DRAWING

UNLESS OTHERWISE SPECIFIED, DIMENSIONAL TOLERANCES ARE:
(.X) ± (.XXX) ±.015 (.4)
(.XX) ±.03 (.8) ANGLES ±

UNLESS OTHERWISE SPECIFIED, ALL DIMENSIONS ARE GIVEN IN INCHES, THIRD ANGLE PROJECTION.

DRAWN BY JBA

MAT'L: ABS

SCALE NONE

DATE 08-09-96

CHECKED BY CEF

DWG NO. 35541-15

SIZE A

REV	DATE	BY	CHK	ECN	CHK	CUST	SUP	DESCRIPTION
2	03-11-04	JHEP	RGRO	35541-15	RGRO			B. REMOVED CD3 FROM NOTE 2
1	07-02-02	JHNU	RWH1	35541-15	RGRO			A. REVISED MATERIAL IN DRAWING TITLE BLOCK
R	08-09-96	JBA	CEF	35541-15	CEF			RELEASED TO PRODUCTION