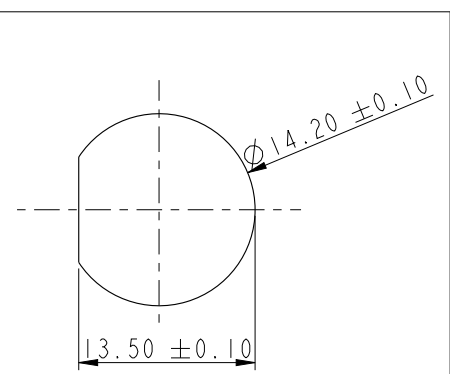
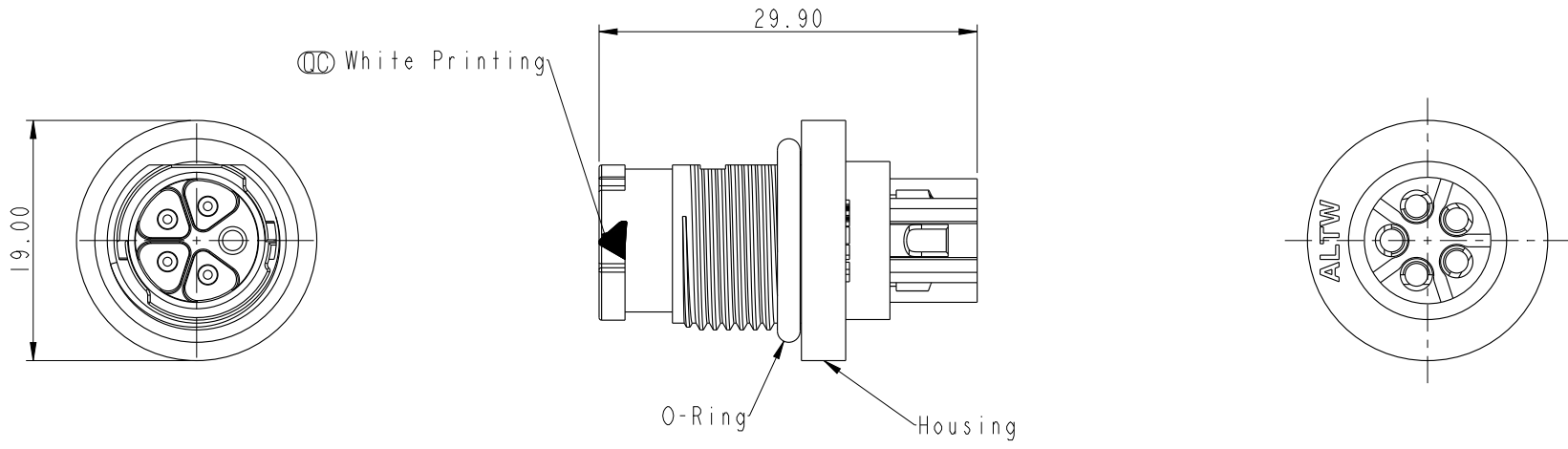


THIS DOCUMENT IS SUBJECT TO CHANGE WITHOUT NOTICE. IT IS CONFIDENTIAL AND A PROPERTY OF AMPHENOL LTW. DISCLOSURE TO THIRD PARTY HAS TO BE AUTHORIZED BY AMPHENOL LTW.

REV.	ECN NO.	DATE	SIGN	DESCRIPTION
B	C210383	2021-03-24	Ouyang	△ XI



Recommended Panel Cut-out

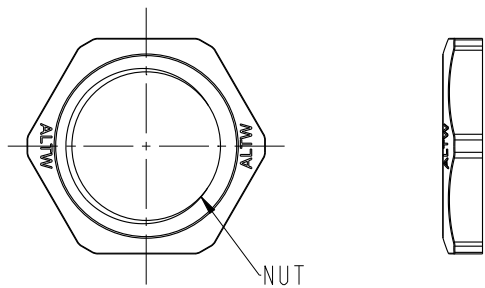
- Note: △
- \* RoHS Compliant
  - \* (◎) Important Dimension
  - \* Waterproof Rate: IPX8, Unmated 1m/24h
  - \* Connector
    - Housing: Thermoplastic, Black
    - Pin: Copper Alloy, Gold Plated
  - \* Nut: Metal / Thermoplastic, Black
  - \* O-Ring: Rubber, Gray
  - \* Use Without Waterproof Cap
    - Panel Thickness Max: 4.0mm
  - \* Use With Waterproof Cap
    - Panel Thickness Max: 3.0mm
  - \* Gasket and nut are packed separately in PE bag
  - \* Nut is packed separately in PE bag
  - \* O-Ring / Gasket and nut are assembled on connectors

UNIT:mm		TITLE	X Lok A-Size Receptacle Front Fastened M Conn M Pin 16A		
TOLERANCE	±0.5mm	SCALE	1:1	SIZE	A4
		REV.	B	WC-REV.	.0
			◎: Inspection item		

**Amphenol LTW**  
安費諾亮泰企業股份有限公司

ITEM NO	DRAWN BY	DATE
DWG NO	CHECKED BY	DATE
CUSTOMER	APPROVED BY	DATE
ALTW	Ouyang	2021-01-23
	Jerry	2021-01-23
	Fred	2021-01-23

THIS DOCUMENT IS SUBJECT TO CHANGE WITHOUT NOTICE. IT IS CONFIDENTIAL AND A PROPERTY OF Amphenol LTW. DISCLOSURE TO THIRD PARTY HAS TO BE AUTHORIZED BY Amphenol LTW.



(AG) I6A ——— AG- XX P M J S- Q C 8 0 0 P

03: 3Pin ———

04: 4Pin

05: 5Pin

P: Front Fastened

M: Male Connector (公座)

J: Male Pin And  
Female grounding Pin

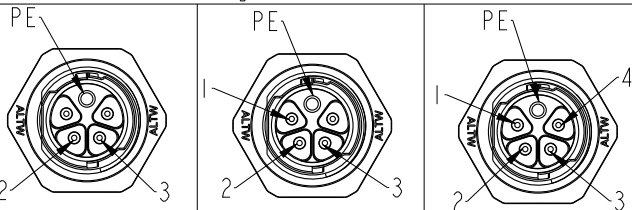
8: IP68 (防水等級68)

C: Circular Backshell

Q: Push Lock

S: Solder Type

Pin Assignments Front View



3Pin

4Pin

5Pin

UNIT:mm



TOLERANCE

±0.5mm

TITLE  
X Lok A-Size Receptacle  
Front Fastened M Conn M Pin I6A

SCALE 1:1

SIZE A4

SHEET 2 OF 2

REV. B

WC-REV. .0

QC: Inspection item

**Amphenol LTW**

安費諾亮泰企業股份有限公司

ITEM NO

DWG NO

AG-XXPMJS-QC800P

CUSTOMER

ALTW

DRAWN BY

Ouyang

CHECKED BY

Jerry

APPROVED BY

Fred

DATE

2020-09-07

DATE

2020-09-07

DATE

2020-09-07