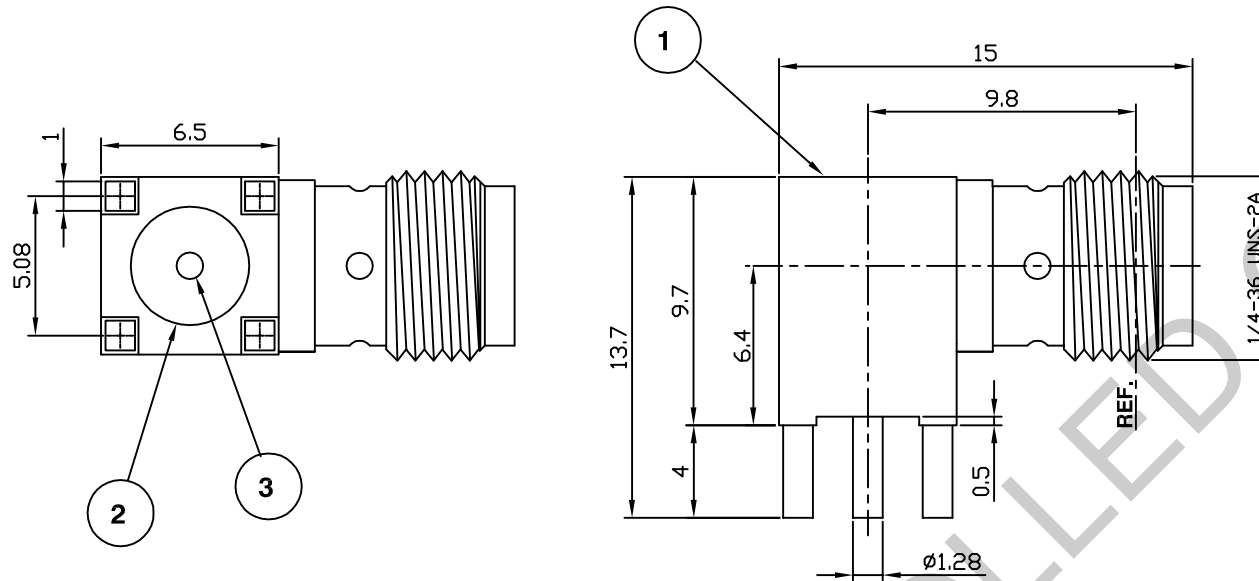
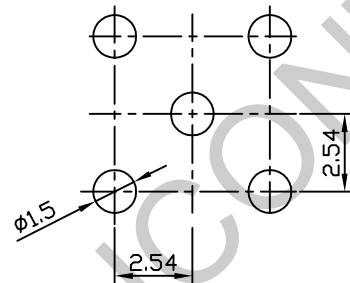


RoHS COMPLIANT



PCB LAYOUT



Electrical Characteristics

Nominal Impedance:	50 ohms
Frequency Range:	DC to 18 GHz
Operating Voltage (rms):	500 V maximum at sea level
Dielectric Withstand Voltage (rms):	1000 V maximum at sea level
Contact Resistance:	2.0 milliohms maximum
Insulation Resistance:	5000 megohms minimum

Mechanical Characteristics

Mating Cycles:	500 cycles minimum
Interface Dimensions:	Conform to MIL-C-39012

Environmental Characteristics

Temperature Range:	-65 °C to +165 °C
--------------------	-------------------

	PART	DESCRIPTION
1	Body	Brass, Gold Plated
2	Dielectric	PTFE
3	Contact	Beryllium Copper, Gold Plated

First Issue	JC	1	28 JUNE 11
DESCRIPTION OF REVISION	APPVD	ISS	DATE



Cinch Connectivity Solutions
 7-13 Russel Way,
 Widford Industrial Estate,
 Chelmsford, Essex,
 CM1 3AA, UK.
 Tel: +44 (0) 1245 359515
 Fax: +44 (0) 1245 358938

SCALE: Not To Scale

DIMENSIONS: mm

TOLERANCES:
 ± 0.2mm unless
 otherwise stated

DRAWN BY:

J Cracknell

CHECKED BY:

M Spooner

APPROVED BY:

M Spooner

DATE:

28 JUNE 11

TITLE:

SMA R/A PCB Mount Jack

PART NUMBER:

VS324

PAGE: 1 of 1