

Double valve connector adapter - SAC-MS/0,15-116/2XA-1L-Z SCO - 1458114

Please be informed that the data shown in this PDF Document is generated from our Online Catalog. Please find the complete data in the user's documentation. Our General Terms of Use for Downloads are valid (<http://download.phoenixcontact.com>)



Double valve connector adapter, npn, 4-position, PUR, Black RAL 9005, Plug straight M12 SPEEDCON, A-coded, on Valve connector A, with 1 LED, connected with Z diode and Valve connector A, with 1 LED, connected with Z diode, Valve connector distance: 0.15 m

Product Features

- ✓ Easy and safe: 100% electrically tested plug-in components
- ✓ Robust valve connector with Zener diode as protective circuit
- ✓ Efficient: control valves with two connections via a single connecting cable
- ✓ Convenient: increased machine availability thanks to quick and easy diagnostics



Key commercial data

| | |
|----------------------|----------|
| Packing unit | 1 1 |
| Custom tariff number | 85444290 |
| Country of origin | Germany |

Technical data

Dimensions

| | |
|--------------------------|--------|
| Valve connector distance | 0.15 m |
|--------------------------|--------|

Ambient conditions

| | |
|---------------------------------|-------------------------------|
| Ambient temperature (operation) | -25 °C ... 85 °C (valve plug) |
| Degree of protection | IP65 |
| | IP67 |

General

| | |
|-----------------------|------------|
| Rated current at 40°C | 4 A |
| Rated voltage | 24 V AC/DC |
| Number of positions | 4 |

Double valve connector adapter - SAC-MS/0,15-116/2XA-1L-Z SCO - 1458114

Technical data

General

| | |
|------------------------------|--|
| Contact resistance | ≤ 5 mΩ |
| Insulation resistance | ≥ 100 MΩ |
| Coding | A - standard |
| Standards/regulations | M12 connector IEC 61076-2-101 Valve connector EN 175301-803 |
| Signal type/category | npn |
| Status display | 1 LED |
| Protective circuit/component | Z diode |
| Surge voltage category | II |
| Pollution degree | 3 |
| Insertion/withdrawal cycles | 50 (valve plug) |
| Torque | 0.6 Nm (valve plug) |

Material

| | |
|---|------------------------------|
| Inflammability class according to UL 94 | HB |
| Contact material | CuSn |
| Contact surface material | Ni/Au |
| Contact carrier material | PA 66 |
| Valve plug contact material | CuSn |
| Valve plug contact surface material | Sn |
| Valve plug contact insert material | PA 66 |
| Material housing valve plug | TPU |
| Material, knurls | Zinc die-cast, nickel-plated |
| Sealing material | TPU (Seal molded) |

Cable

| | |
|------------------------------------|---------------------------------------|
| Cable type | PUR/PVC, 0.75 mm ² , black |
| Cable type (abbreviation) | 116 |
| Cable abbreviation | LiYY11Y |
| UL AWM style | 20549 |
| Conductor cross section | 3x 0.75 mm ² (signal line) |
| AWG signal line | 18 |
| Conductor structure signal line | 24x 0.20 mm |
| Core diameter including insulation | 1.7 mm ±0.05 mm |
| Wire colors | Black 1, black 2, green/yellow |
| Overall twist | 3 wires, twisted |
| External sheath, color | Black RAL 9005 |

Double valve connector adapter - SAC-MS/0,15-116/2XA-1L-Z SCO - 1458114

Technical data

Cable

| | |
|---|---|
| External cable diameter | 5.80 mm |
| Smallest bending radius, fixed installation | 58 mm |
| Number of bending cycles | 1000000 |
| Bending radius | 58 mm |
| Traversing path | 10 m |
| Traversing rate | 2 m/s |
| Acceleration | 2.5 m/s ² |
| Outer sheath, material | PUR |
| Material, inner sheath | PVC |
| Material conductor insulation | PVC |
| Conductor material | Bare Cu litz wires |
| Insulation resistance | ≥ 20 MΩ*km |
| Conductor resistance | 26 Ω/km (at 20 °C) |
| Nominal voltage, cable | 300 V |
| Test voltage, cable | 1200 V |
| Special properties | Flexible cable conduit capable |
| | Silicone-free |
| | Free of substances which would hinder coating with paint or varnish |
| Flame resistance | DIN VDE 0482 |
| | DIN EN 50265-2-1 |
| | In accordance with UL FT-2 |
| Other resistance | Highly resistant to acids, alkaline solutions and solvents |
| | hydrolysis and microbe resistant |
| Ambient temperature (operation) | -40 °C ... 80 °C (cable, fixed installation) |
| | -5 °C ... 80 °C (cable, flexible installation) |

Classifications

eCl@ss

| | |
|------------|----------|
| eCl@ss 4.0 | 27060306 |
| eCl@ss 4.1 | 27060306 |
| eCl@ss 5.0 | 27061801 |
| eCl@ss 5.1 | 27061801 |
| eCl@ss 6.0 | 27061801 |
| eCl@ss 7.0 | 27061801 |
| eCl@ss 8.0 | 27061801 |

Double valve connector adapter - SAC-MS/0,15-116/2XA-1L-Z SCO - 1458114

Classifications

ETIM

| | |
|----------|----------|
| ETIM 4.0 | EC001855 |
| ETIM 5.0 | EC001855 |

UNSPSC

| | |
|---------------|----------|
| UNSPSC 6.01 | 31251501 |
| UNSPSC 7.0901 | 31251501 |
| UNSPSC 11 | 31251501 |
| UNSPSC 12.01 | 31251501 |
| UNSPSC 13.2 | 31251501 |

Accessories

Accessories

Conductor marking

Insert label - PABA WH/15 - 1013151



Insert label, Strip, white, Unlabeled, Can be labeled with: Plotter, Mounting type: Thread on, Cable diameter: 0.6-50 mm, Lettering field: 15 x 4 mm

Insert label - PABA YE/15 - 1013698



Insert label, Strip, yellow, Unlabeled, Can be labeled with: Plotter, Mounting type: Thread on, Cable diameter: 0.6-50 mm, Lettering field: 15 x 4 mm

Insert label - PABA RD/15 - 1013944



Insert label, Strip, red, Unlabeled, Can be labeled with: Plotter, Mounting type: Thread on, Cable diameter: 0.6-50 mm, Lettering field: 15 x 4 mm

Double valve connector adapter - SAC-MS/0,15-116/2XA-1L-Z SCO - 1458114

Accessories

Marker carrier cable

Conductor marker carrier - PATO 2/15 - 1013122



Conductor marker carrier, transparent, Unlabeled, Mounting type: Clip on, Cable diameter: 2.8-4.4 mm, Lettering field: 4 x 15 mm

Conductor marker carrier - PATO 3/15 - 1013135



Conductor marker carrier, transparent, Unlabeled, Mounting type: Clip on, Cable diameter: 4.4-6.7 mm, Lettering field: 4 x 15 mm

Conductor marker carrier - PATO 4/15 - 1013148



Conductor marker carrier, transparent, Unlabeled, Mounting type: Clip on, Cable diameter: 6.7-10 mm, Lettering field: 4 x 15 mm

Marker pen

Marker pen - B-STIFT - 1051993



Marker pen, for manual labeling of unprinted Zack strips, smear-proof and waterproof, line thickness 0.5 mm

Screwdriver tools

Double valve connector adapter - SAC-MS/0,15-116/2XA-1L-Z SCO - 1458114

Accessories

Screw insert - SF-BIT-PH 1-70 - 1212582



Screw bit, PH crosshead, E6.3-1/4" drive, size: PH 1 x 70 mm, hardened, suitable for holder according to DIN 3126-F6.3/ISO 1173

Torque tool

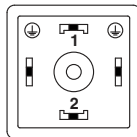
Torque screwdriver - TSD-M 1,2NM - 1212224



Torque screw driver, accuracy as per EN ISO 6789 standard, adjustable from 0.3 - 1.2 Nm

Drawings

Schematic diagram



Valve connector pin assignment, type A

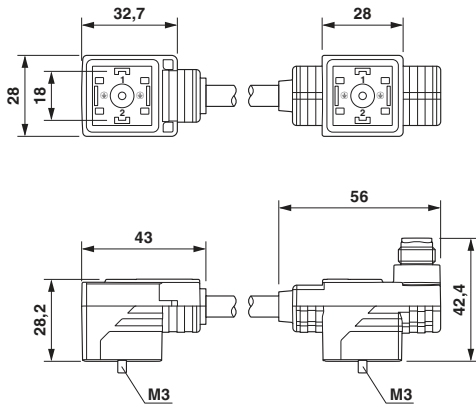
Cable cross section



PUR/PVC black [116]

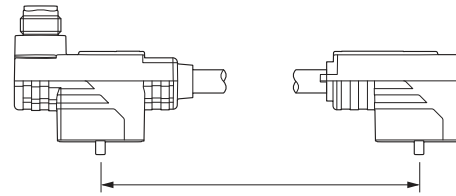
Double valve connector adapter - SAC-MS/0,15-116/2XA-1L-Z SCO - 1458114

Dimensioned drawing



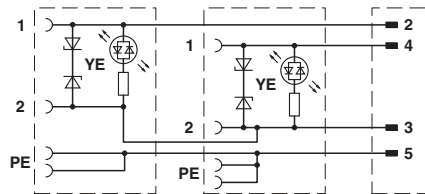
Double valve connector, 2x type A

Dimensioned drawing



Valve connector spacing

Circuit diagram



Contact assignment of the double-valve connector